

# Model **CCAC** Horizontal Power Conveyor (Accumulating Type)

The Model CCAC is a horizontal plastic belt curve conveyor which is normally slave driven from the Model CCEZ for accumulating 12 & 24 packs of canned beverages where high speeds and large through-puts are required.



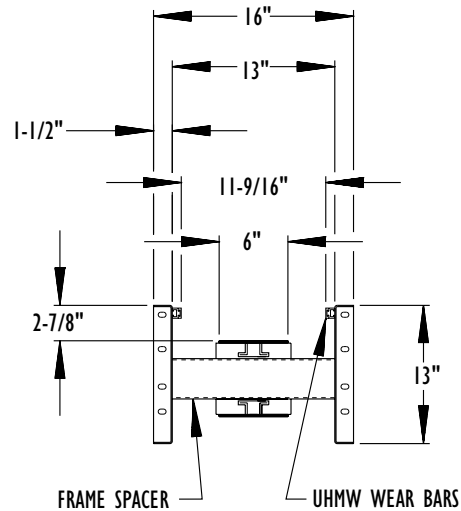
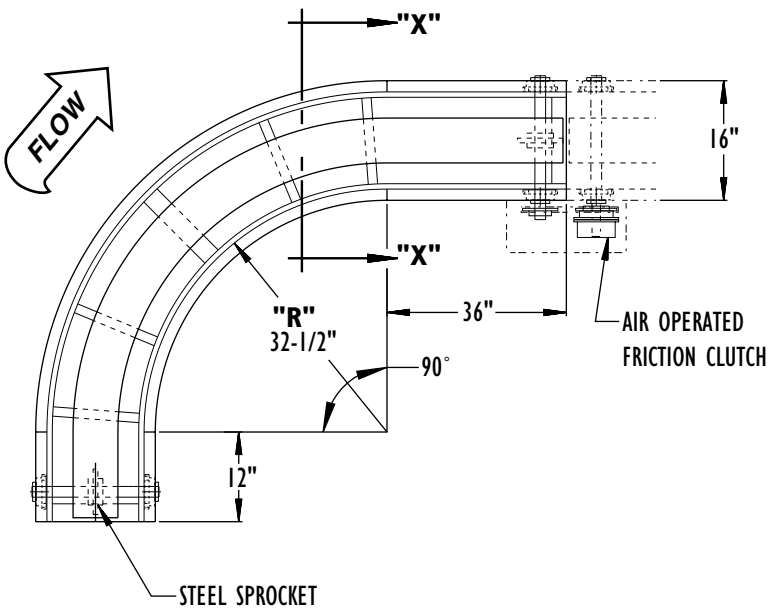
Conveyor shown with optional floor supports

- ★ Plastic Belt
- ★ High Speed Curve
- ★ Slave Driven From CCEZ
- ★ Adjustable MS-Type Floor Supports Available

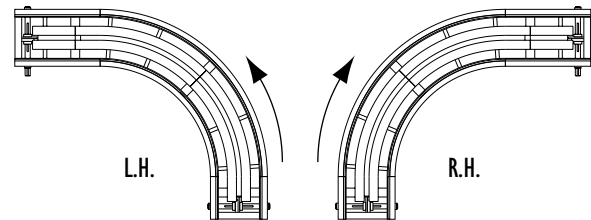
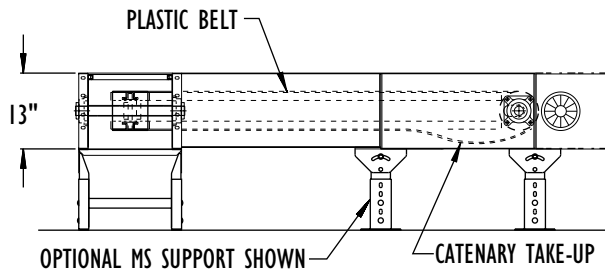
## HOW IT WORKS

The conveyor consists of one accumulation zone the entire length of the curve. It is designed to be slave driven from the infeed end of the Model CCEZ when a turn is required. The plastic belt is driven from the Model CCEZ by means of an air operated friction clutch and chain. When the infeed zone of the Model CCEZ is accumulated, an air signal is used to engage the clutch, therefore stopping the curve.

ACCUMULATION - ZERO PRESSURE



SECTION X-X



SPECIFY

## Standard Specifications

**BELT**—6 in. wide low friction plastic belt.

**FRAME**—13 in. deep x 1-1/2 in. flange x 12 ga. steel side channels powder painted.

**DRIVE**—Slave driven from infeed end of Model CCEZ via air operated friction clutch and No.50 roller chain.

**AIR REQUIREMENTS**—Recommended working pressure 60 P.S.I. Free air consumption at 60 P.S.I.—.001 cu. ft. per curve accumulation.

**FILTER REGULATOR**—Supplied for air supply to air operated friction clutch.

**TAKE-UP**—Catenary provided at discharge end.

**BEARINGS**—Sealed, pre-lubricated, regreaseable, self-aligning, ball bearings with skwezloc locking collar on drive and tail shaft.

**BELT SPEED**—Same as CCEZ driving curve.

**FLOOR SUPPORTS**—Now supplied as optional equipment.

### Optional Equipment

**FLOOR SUPPORTS**—MS Type floor supports are available with a wide range of adjustment. Specify top of belt or roller elevation. One support required at every bed joint and ends of conveyor. Holes in feet for lagging to floor. Knee braces recommended above MS-6 support.

**END DRIVE**—Motor and reducer may be supplied when slave drive is not desired.

**O-RING DRIVE CHAIN**—With sealed in lubricant (Recommended for applications that do not permit regular lubrication).

**POLY-TIER SUPPORTS**—36 in. to 120 in. support heights in 6 in. increments. Knee braces supplied.

**CEILING HANGERS**—5/8 in. dia. x 8 ft. long unplated fully threaded rods. Other lengths and galvanized rods available.