

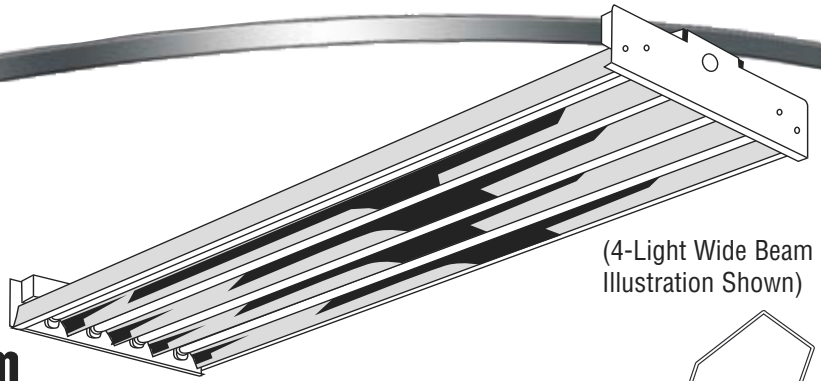


WESTINGHOUSE LIGHTING SOLUTIONS

an affiliate of Westinghouse Lighting Corporation,
a Westinghouse Electric Corporation Licensee

QTY.	TYPE	MODEL #

HYBRID SERIES/ Precision Optics Wide, Narrow, or Medium Beam



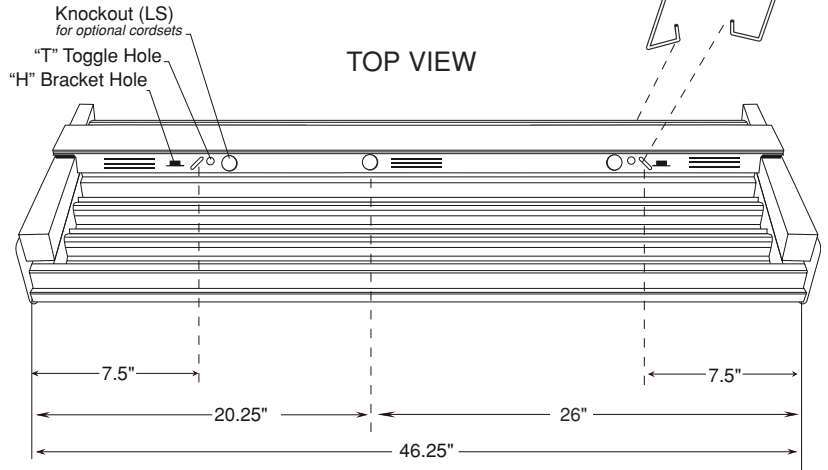
(4-Light Wide Beam Illustration Shown)

SPECIFICATIONS

- Housing – Formed aluminum / Fully assembled
- Reflector – Enhanced anodized specular aluminum
- Lamp – T5HO 54 watt linear fluorescent, CRI85
- Ballast – 90°C rated, electronic programmed rapid start
- Hang Mount – Wire bracket & toggle holes provided
- Total Luminaire Efficiency: varies by model 90%-105%

FEATURES

- All fixtures ship with lamps installed, reflectors pre-peeled
- European rotary lock lamp holders
- All ballasts are 90° C rated, switching capability
- Unique snap down ballast cover, no tools ballast access
- T5HO technology cuts energy use up to 75%
- Available with prewired cordset—specify type, adders apply
- Allows for one-for-one metal halide fixture replacement
- Powder coated, rigid steel rails and ends.
- Instant re-strike, programmed rapid start ballast eliminates the need for quartz re-strikes in event of power outage
- 95% lumen maintenance over entire rated lamp life
- Options: Swing down door with acrylic lens, wire guard, sensors, cord sets and choice of lamps. See Accessory Pages, or Nomenclature Chart.



OPTIONS

see Accessory Pages or, Nomenclature Chart



ORDERING INFORMATION

