



WESTINGHOUSE LIGHTING SOLUTIONS

an affiliate of Westinghouse Lighting Corporation,
a Westinghouse Electric Corporation Licensee

QTY.	TYPE	MODEL #

PT SERIES UniChannel Industrial

Suspended Fluorescent High Bay

SPECIFICATIONS

Housing – White powder coated, formed aluminum vented channel, rigid steel end plates and snap on ballast cover for tool-less wireway entry, assembled.

Reflector – Enhanced anodized specular aluminum

Lamp – T5 HO 54 watt linear fluorescent, CRI85

Ballast – 90°C rated, electronic programmed rapid start

Mounting – Wire Hooks included or use toggle holes

Knockouts – (1) each end, (3) tpf side

FEATURES

- All fixtures are fully assembled with reflectors pre-peeled
- Low profile and Lightweight
- Designed for mounting height 10' to high bay
- Economical unibody design / choice of beam spread
- 4' or 8' tandem units available
- Rotary lock lamp holders
- No tool access to ballast and wiring
- All ballasts are UL listed 90° C rated & thermally protected
- Cuts energy use 50%+ compared to metal halide
- Instant re-strike in event of momentary power outage
- 95% lumen maintenance over entire rated T5 lamp life
- Standard Westinghouse warranty
- Popular Options: whips/ cordsets: suffix C01, sensors and sensor ready wiring: suffix R, Lamps: specify kelvin—L02 = 5000K etc.

PHOTOMETRY

WLS Catalog #PT-42-T554 -12-U

Lamp Type: FP4T5/841/HO/ALTO

Test Report # 10632

Dated 12/04/06

of Lamps: 2

Candela Distribution

	0.0	22.5	45.0	67.5	90.0	Zonal Lumens
0	4548	4548	4548	4548	4548	4548
5	4575	4506	4497	4445	4435	
10	4502	4403	4295	4151	4114	
15	4400	4235	4001	3803	3740	
20	4247	3986	3656	3411	3317	
25	4066	3695	3290	2959	2876	
30	3836	3377	2864	2537	2421	
35	3573	3015	2471	2102	1989	
40	3278	2638	2037	1673	1581	
45	2952	2234	1640	1371	1307	
50	2602	1846	1270	1149	1150	
55	2228	1446	1004	1026	1056	
60	1835	1068	844	875	860	
65	1450	741	714	679	670	
70	1062	501	515	485	478	
75	683	349	327	305	303	
80	351	186	176	189	195	
85	100	71	97	108	111	
90	9	10	17	27	29	
95	0	0	0	0	0	
100	0	0	0	0	0	
105	0	0	0	0	0	

Zonal Lumen Summary

Zone	Lumens	%Lamp	%Fixt
0- 30	3100	35.2	36.1
0- 40	4719	53.6	55.0
0- 60	7291	82.8	84.9
0- 90	8583	97.5	100.0
90-120	1	0.0	0.0
90-130	1	0.0	0.0
90-150	1	0.0	0.0
90-180	1	0.0	0.0
0-180	8584	97.5	100.0

LUMINAIRE SPACING CRITERIA

CIE Type:	Direct	
Plane:	0-DEG	90-DEG
Spacing Criteria:	1.2	1.2
Luminaire Efficiency:	97.5%	

For more specific Test Reports contact us at:
info@westinghouse-ls.com

Zonal Cavity

RC RW	80				70				50			30			10			0
	70	50	30	10	70	50	30	10	50	30	10	50	30	10	50	30	10	0
0	116	116	116	116	113	113	113	113	108	108	108	104	104	104	100	100	100	98
1	108	104	101	97	105	102	99	96	98	95	93	94	92	90	91	89	87	85
2	100	93	87	83	97	91	86	82	88	84	80	85	81	78	82	79	76	74
3	92	84	77	71	90	82	76	71	79	74	70	77	72	68	74	71	67	65
4	85	75	68	62	83	74	67	62	72	66	61	70	64	60	68	63	59	57
5	79	68	60	54	77	66	59	54	64	58	53	63	57	52	61	56	52	50
6	73	61	53	48	71	60	53	47	59	52	47	57	51	47	56	50	46	44
7	68	56	48	42	66	55	47	42	53	47	42	52	46	42	51	45	41	39
8	63	50	43	37	61	50	42	37	49	42	37	47	41	37	46	41	37	35
9	58	46	38	33	57	45	38	33	44	37	33	43	37	32	42	36	32	31
10	54	42	34	29	53	41	34	29	40	34	29	39	33	29	39	33	29	27

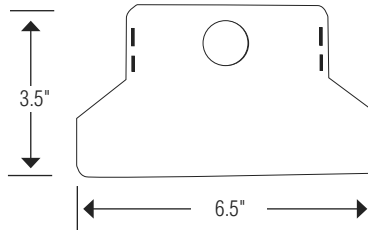


**WESTINGHOUSE
LIGHTING
SOLUTIONS**

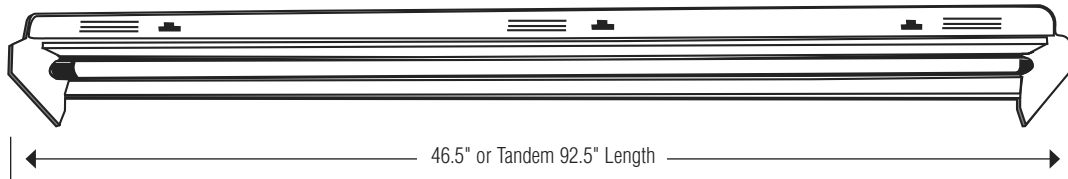
an affiliate of Westinghouse Lighting Corporation,
a Westinghouse Electric Corporation Licensee

**PT SERIES
UniChannel Industrial**
Suspended Fluorescent High Bay

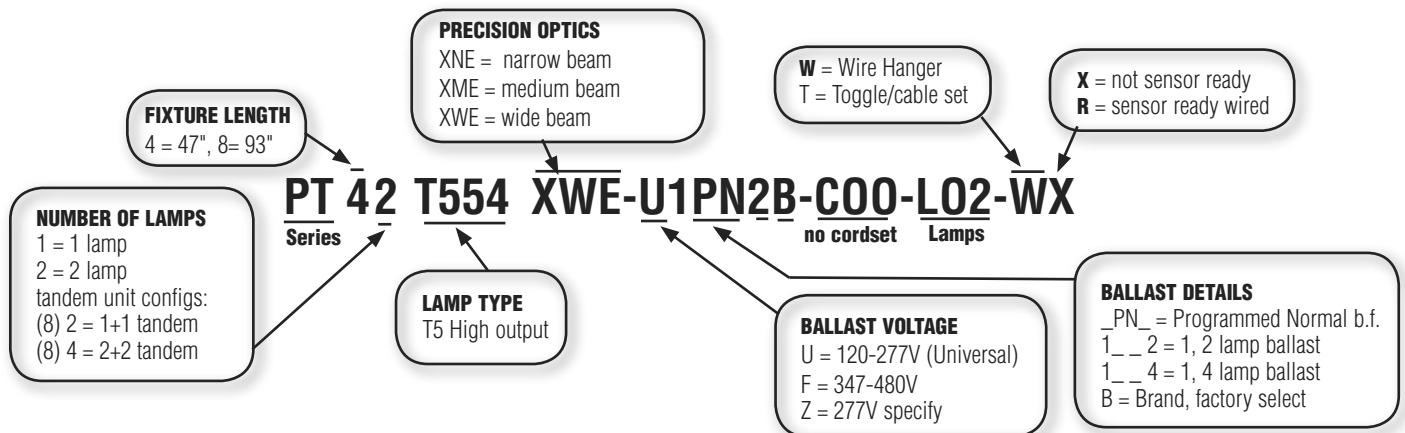
END VIEW



SIDE VIEW



ORDERING INFORMATION



Call 1-800-671-6799 EST 215-671-2029 outside the U.S. or log on at www.westinghouse-ls.com
Westinghouse Lighting Solutions is an affiliate of Westinghouse Lighting Corporation, Philadelphia, PA 19154-1029, U.S.A.
Westinghouse Lighting Corporation, a Westinghouse Electric Corporation licensee.
Westinghouse and "You can be sure...if it's Westinghouse" are all registered trademarks of Westinghouse Electric Corporation.
© 2008 WESTINGHOUSE LIGHTING CORPORATION WLS / 1007 / 101320 / PTseries_080906_SS.ind

You can be sure...if it's Westinghouse