

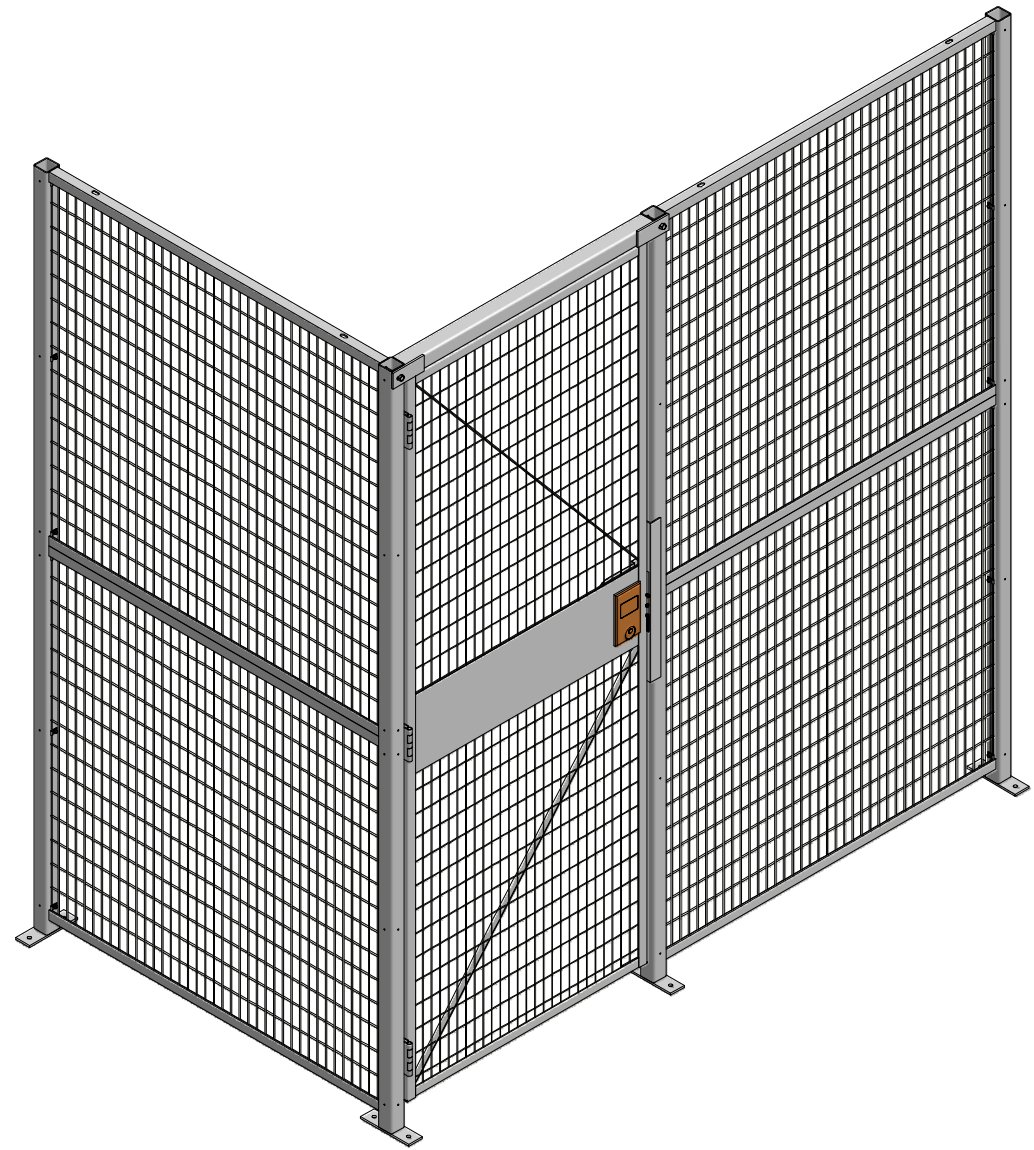
# RapidWire

by

# WireCrafters

---

## Installation Instructions



We're Here To Help  
1-800-626-1816  
Mon-Fri 8am-5pm ET

RapidWire

## Panels and Posts Installation

1. Use a chalk line to outline the partition layout on the floor.
  - a. Out to out dimensions shown on drawing are to face side of posts.
  - b. Post base plates project 2-1/2" beyond outline of partition.
2. Lag end of post (A) to floor per Fig. 3 using two anchors provided.
  - a. If end partition mounts directly to building wall, support panel with 2" spacer block, and mount panel to wall with appropriate wall mount kit.
3. Mount bottom panel (B) to post (A)
  - a. **Note: Panels install horizontally; 13 gauge angle parallel with floor.**
4. Attach opposite end of panel (B) to second post (C).
5. Lag post to floor using two anchors provided.
6. Install top panel (D) between posts and bolt to lower panel (B) per Fig. 1 using 3/8" x 1" nuts and bolts.

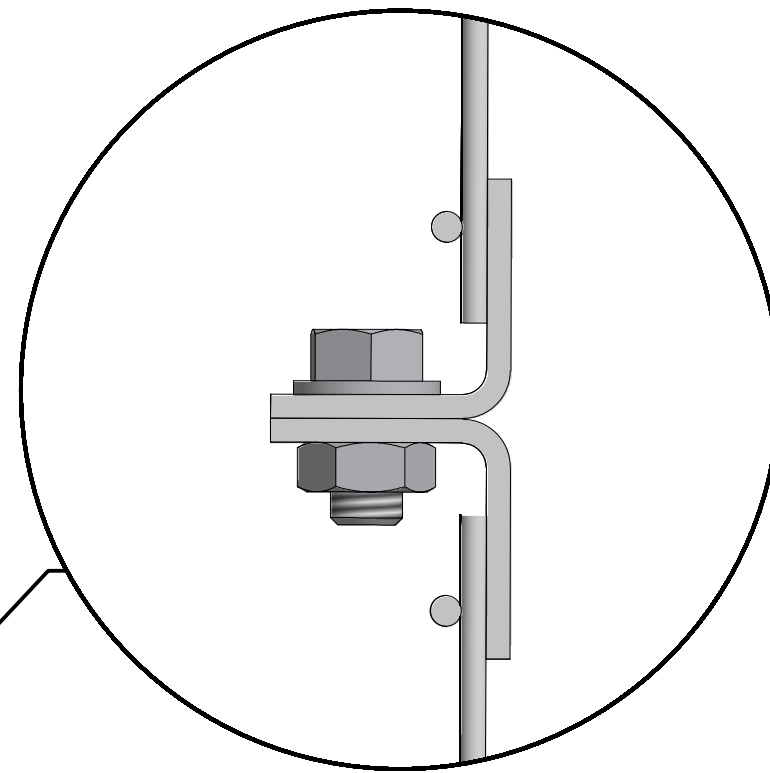


Fig. 1

## **INSTALLER NOTES**

Component parts attach using self-drilling screws. Use variable speed screw gun with adjustable clutch or depth locating nose piece. Use care not to overtighten and strip threads. **DO NOT USE IMPACT TYPE GUNS.**

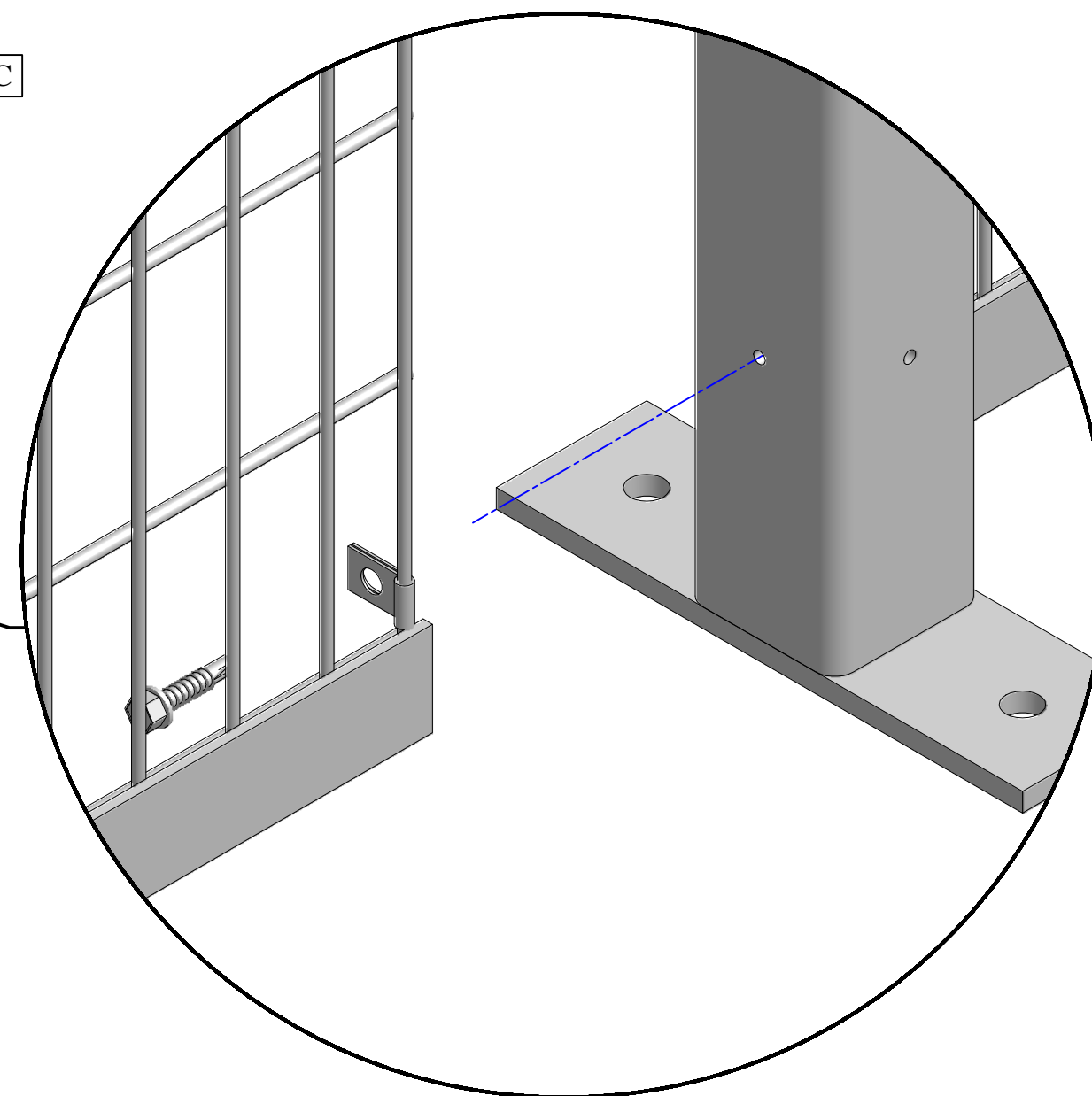


Fig. 2

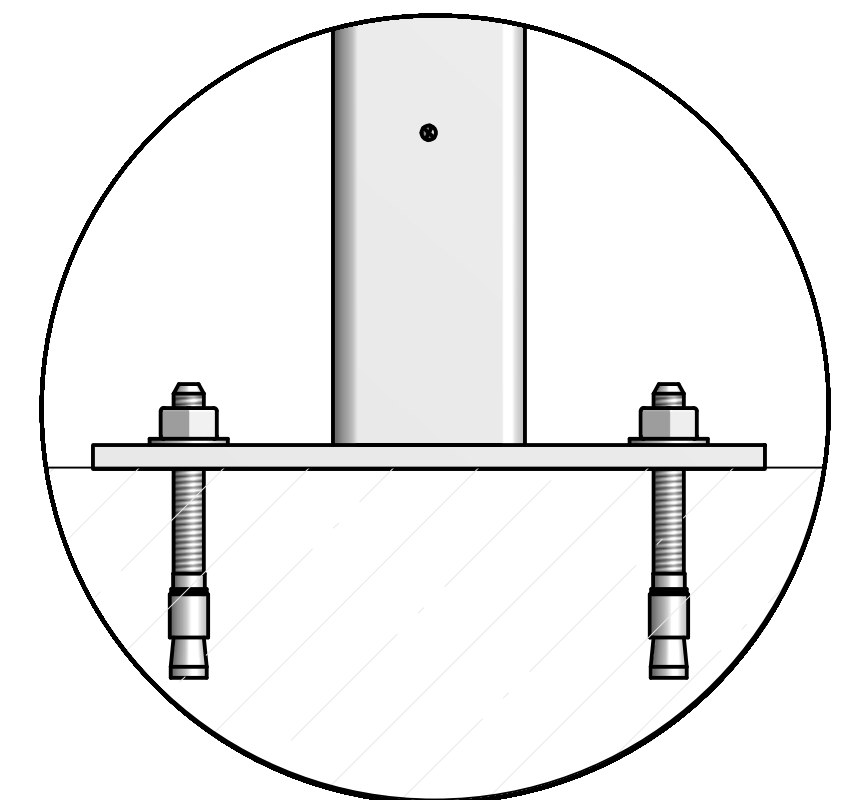
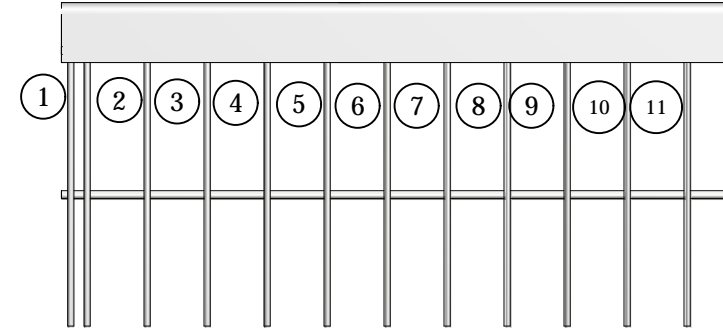
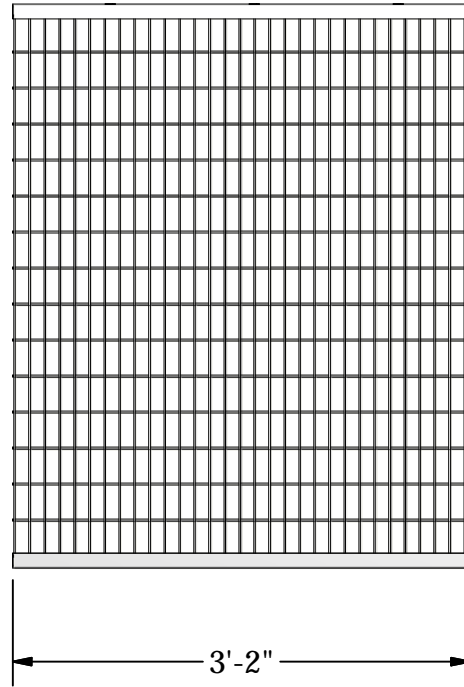
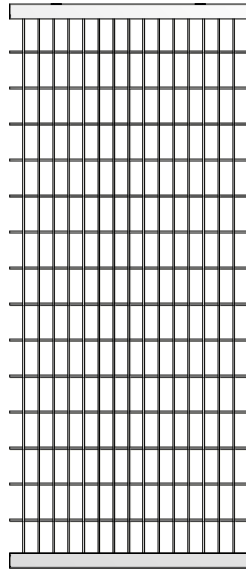
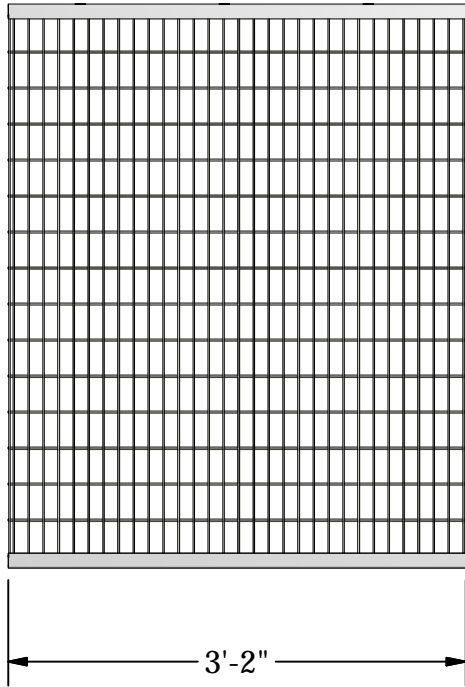
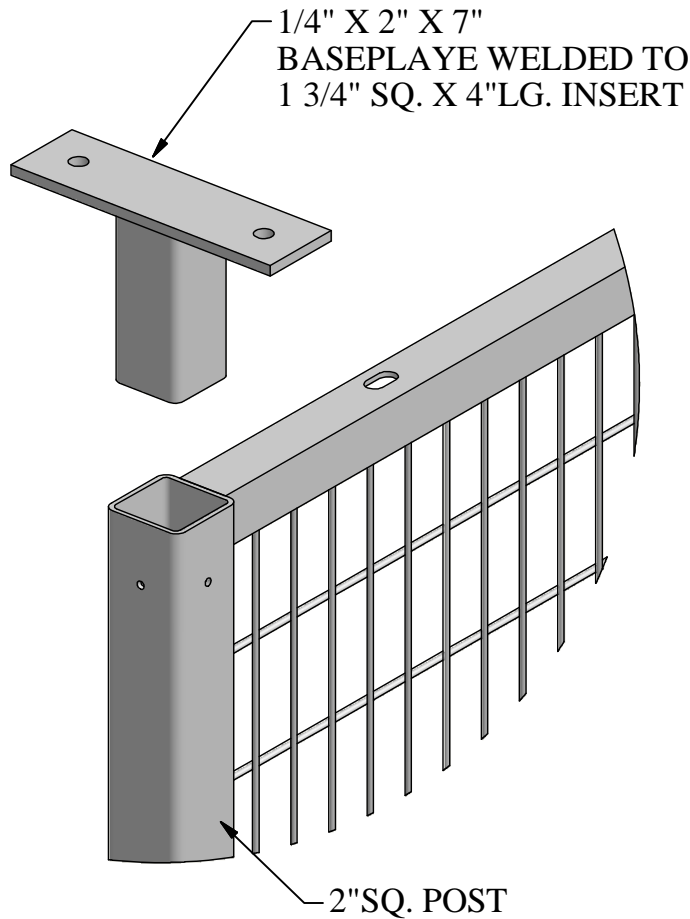


Fig. 3



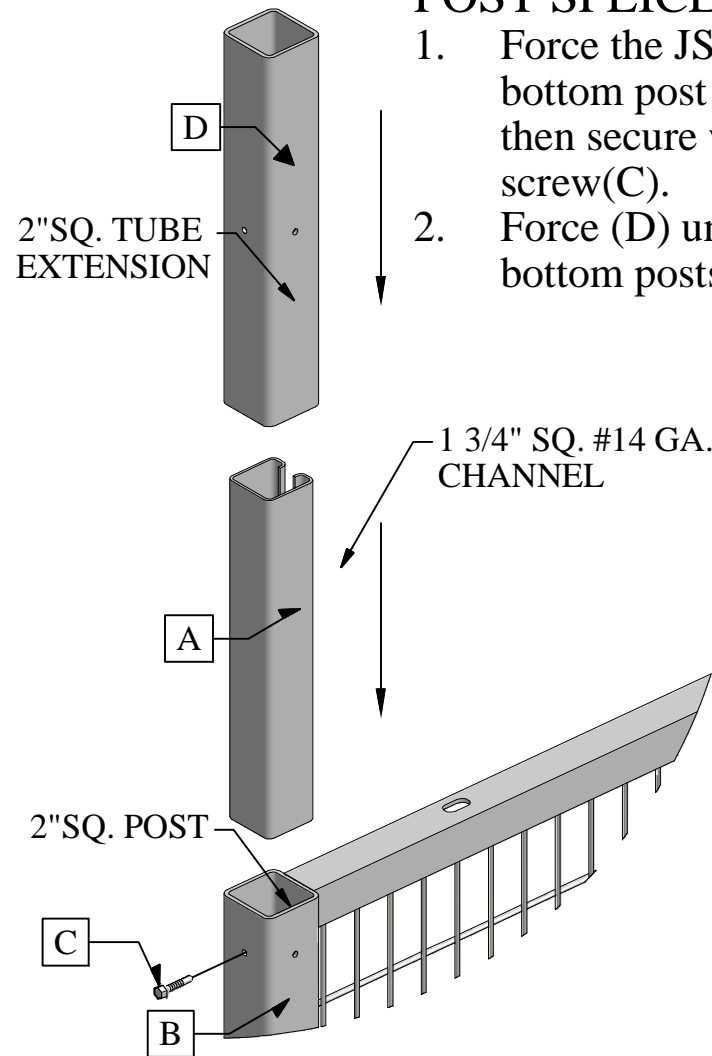
**8'-0" Long will make the following panel stacks**

<u>Panel Width</u>	<u>Cut Along Wire #</u>	<u>Panel Width</u>	<u>Cut Along Wire #</u>
0'-11 3/4"	11	2'-6 1/2"	26
1'-1"	12	2'-7 3/4"	27
1'-2 1/4"	13	2'-9"	28
1'-3 1/2"	14	2'-10 1/4"	29
1'-4 3/4"	15	2'-11 1/2"	30
1'-6"	16	3'-0 3/4"	31
1'-7 1/4"	17	3'-2"	32
1'-8 1/2"	18	3'-2 1/4"	33
1'-9 3/4"	19	3'-4 1/2"	34
1'-11"	20	3'-5 3/4"	35
2'-0 1/4"	21	3'-7"	36
2'-1 1/2"	22	3'-8 1/4"	37
2'-2 3/4"	23	3'-9 1/2"	38
2'-4"	24	3'-10 3/4"	39
2'-5 1/4"	25		



## DETAIL TES-4

Accessory item used to anchor  
partition wall to overhead structure

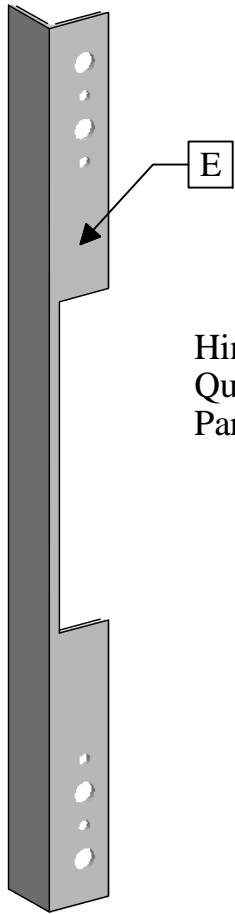


## POST SPLICE INSTRUCTIONS

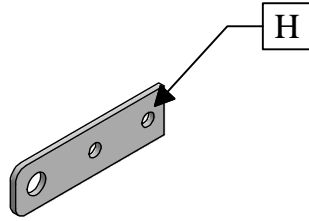
1. Force the JSPE (A) into the bottom post (B) five inches then secure with self drilling screw (C).
2. Force (D) until the top and bottom posts meet flush.

## DETAIL JSPE

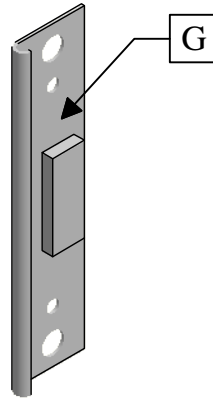
Accessory item used to extend  
height to existing wall.



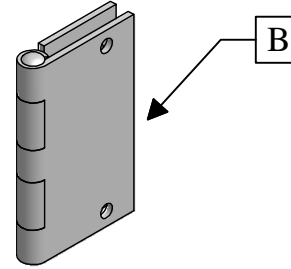
Hinge Door Angle Pick Plate  
Quantity (1)  
Part# HDCPLI



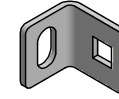
Hinge Door Flat Padlock Lug  
Quantity (1)  
Part# HDLPLLI



Hinge Door Lock Receiver  
Quantity (1)  
Part# HDLRLI

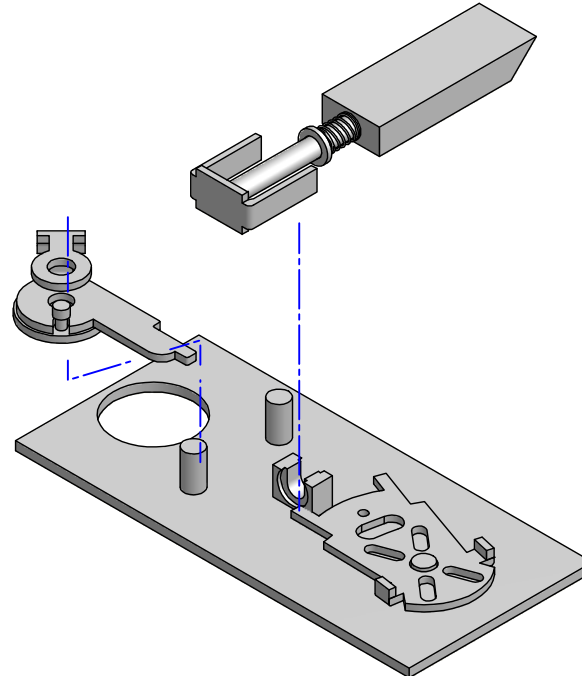


Door Hinge  
Quantity (3)  
Part# HDHG44I

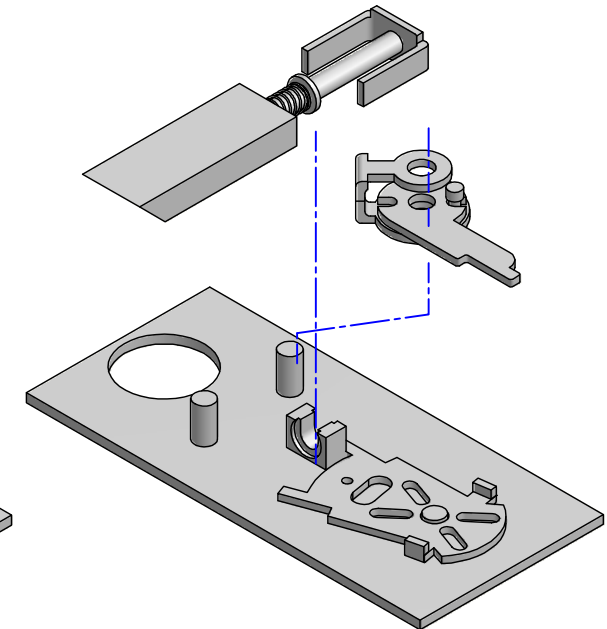


Hinge Door Angle Padlock Lug  
Quantity (1)  
Part# HDANPLL

**SEE SUPPLIED LOCK MANUFACTURER  
INSTRUCTIONS FOR ASSEMBLY**

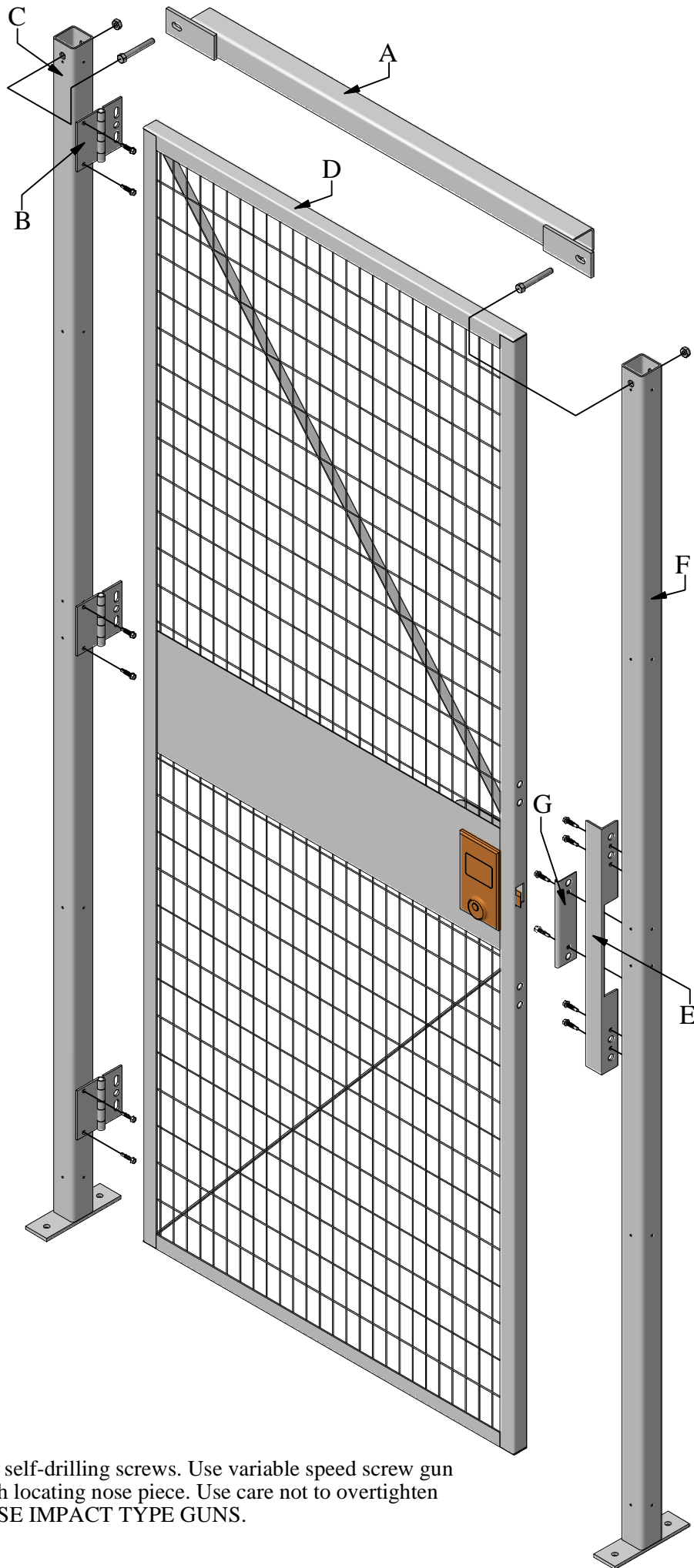
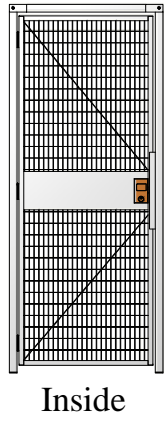
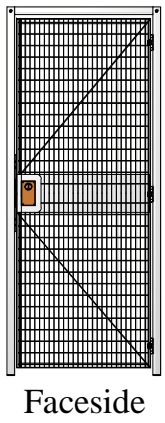
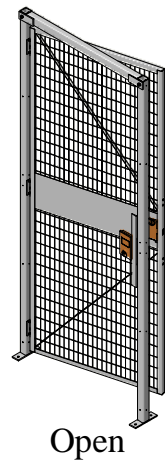


RIGHT HAND ASSEMBLY



LEFT HAND ASSEMBLY

- HDFSPK - Fasener Pack (Contents Below)**
- (25) FSHOPG - Gray Hole Plugs
  - (8) COBO - 3/8" Corner Bolts
  - (8) FS383 - 3/8" x 3" Hex Head Cap Screw
  - (6) FS381 - 3/8" x 1" Hex Head Cap Screw
  - (30) FS38N - 3/8" Hex Nut
  - (4) FS38STA - 3/8" Wedge Anchor
  - (1) FSTRNSPK - Self-Drilling Screws (25)



**INSTALLER NOTES**

Component parts attach using self-drilling screws. Use variable speed screw gun with adjustable clutch or depth locating nose piece. Use care not to overtighten and strip threads. DO NOT USE IMPACT TYPE GUNS.

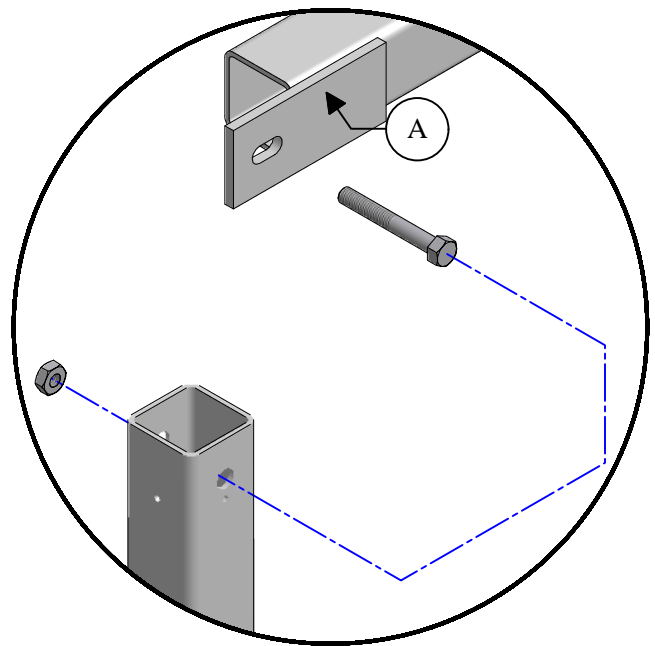


Fig. 1

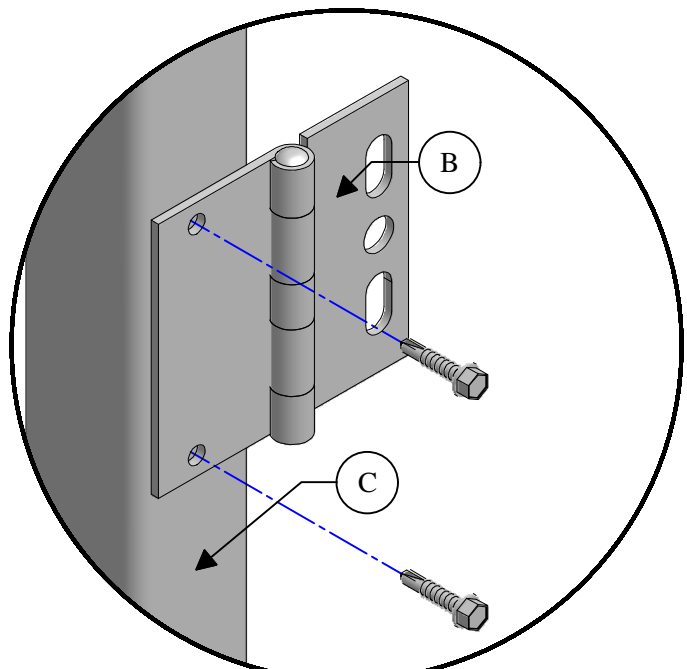


Fig. 2

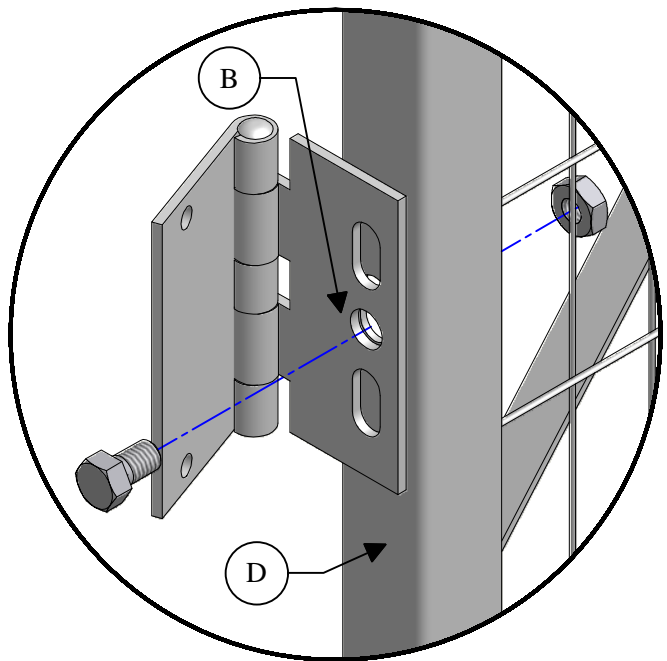


Fig. 3

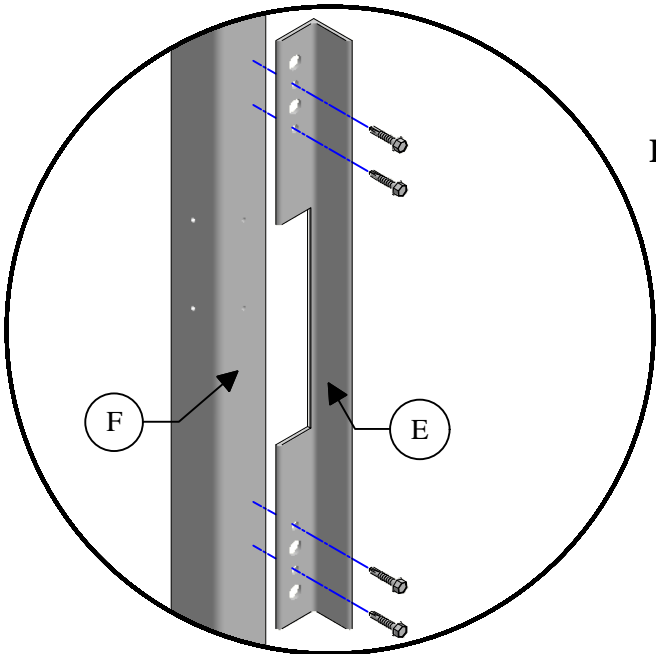


Fig. 4

### INSTALLER NOTES

Component parts attach using self-drilling screws. Use variable speed screw gun with adjustable clutch or depth locating nose piece. Use care not to overtighten and strip threads. DO NOT USE IMPACT TYPE GUNS.

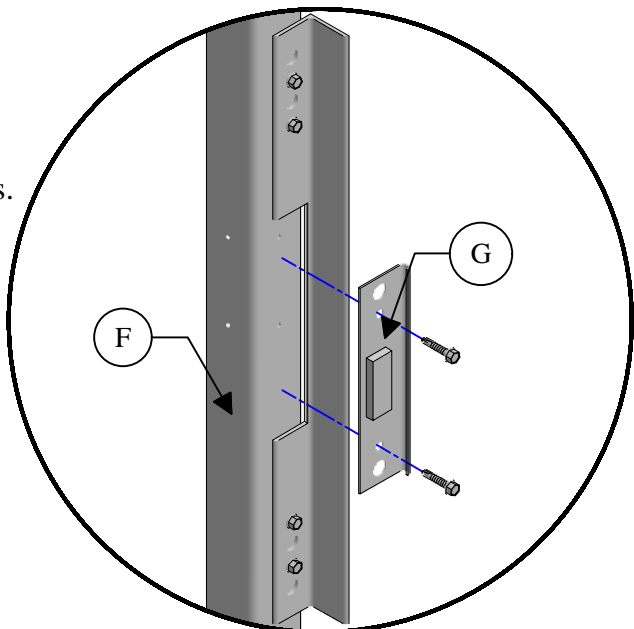
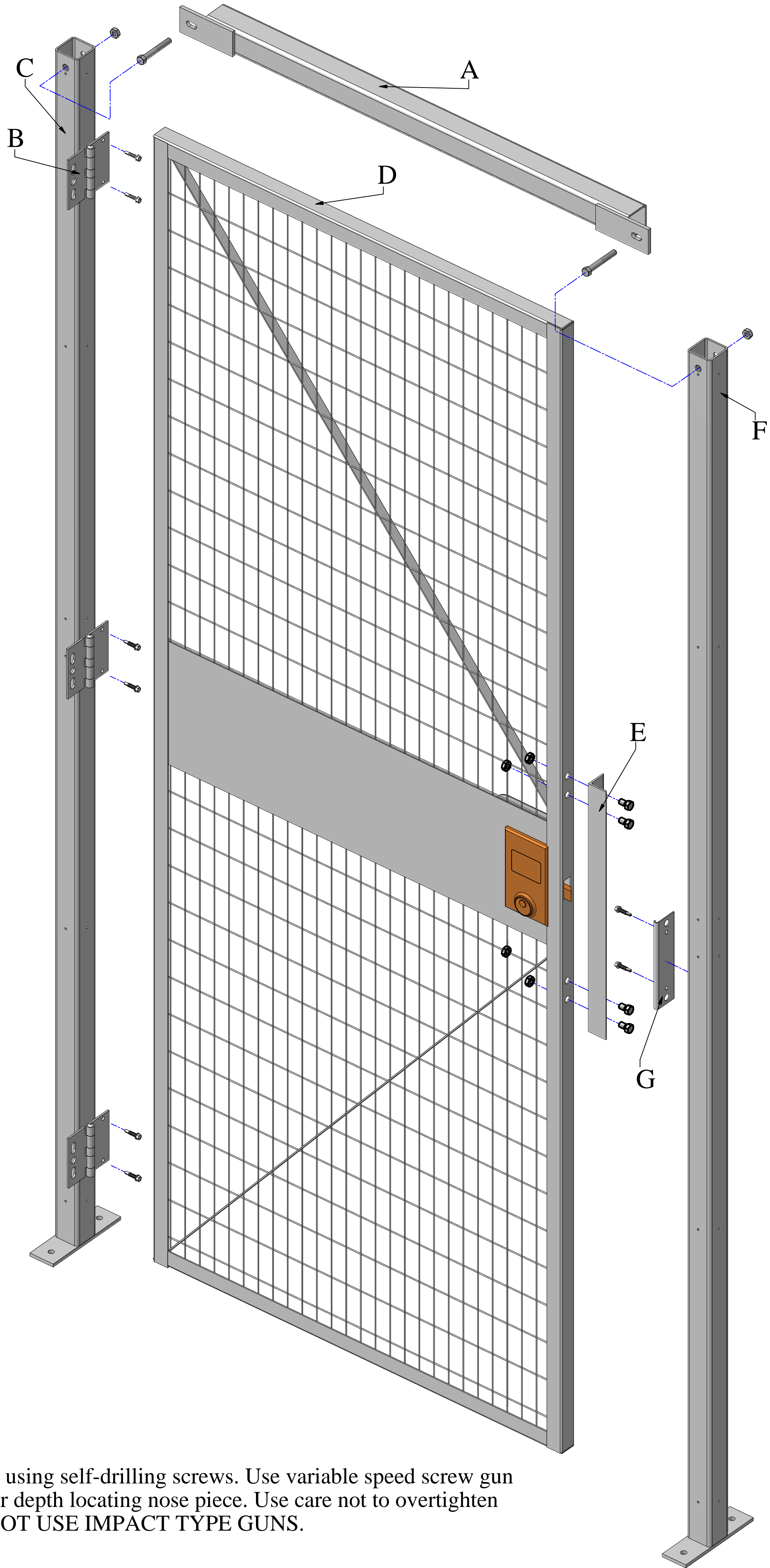
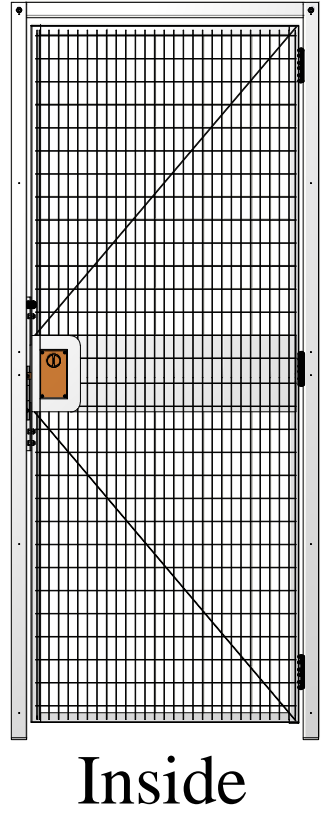
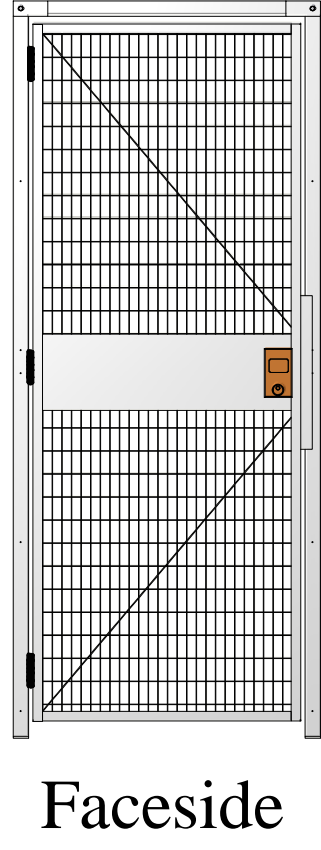
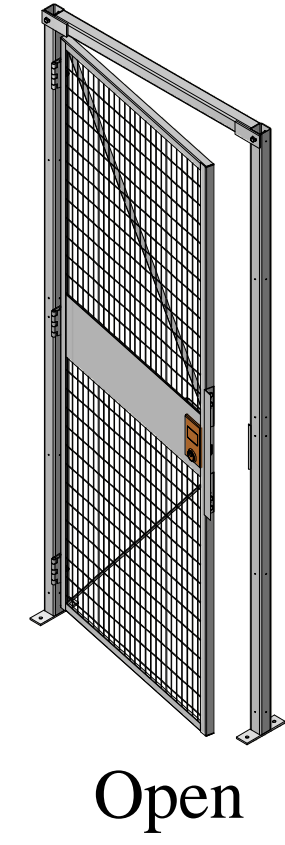


Fig. 5



## INSTALLER NOTES

Component parts attach using self-drilling screws. Use variable speed screw gun with adjustable clutch or depth locating nose piece. Use care not to overtighten and strip threads. DO NOT USE IMPACT TYPE GUNS.

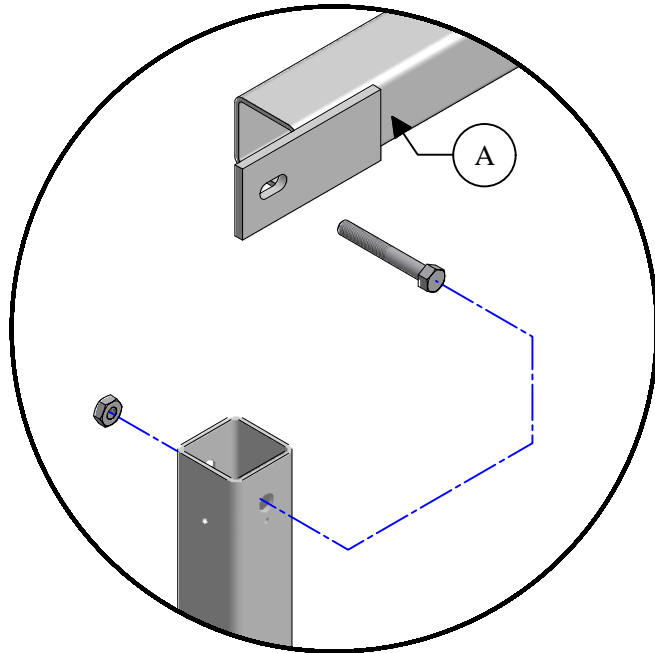


Fig. 1

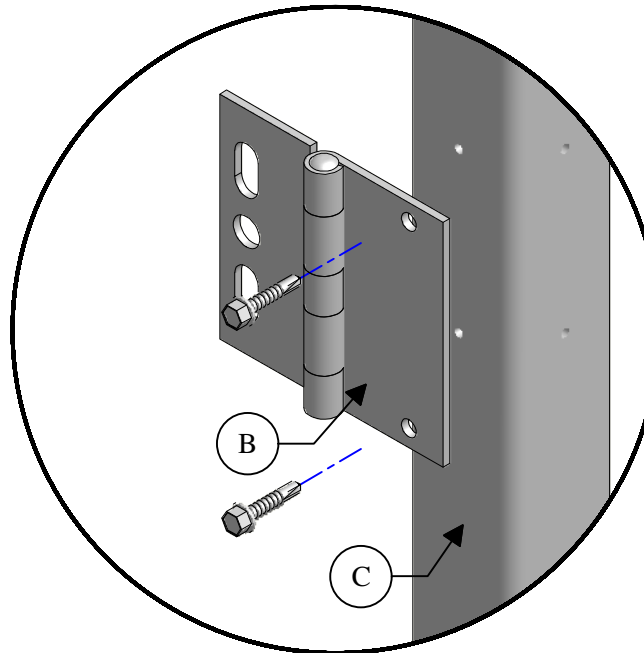


Fig. 2

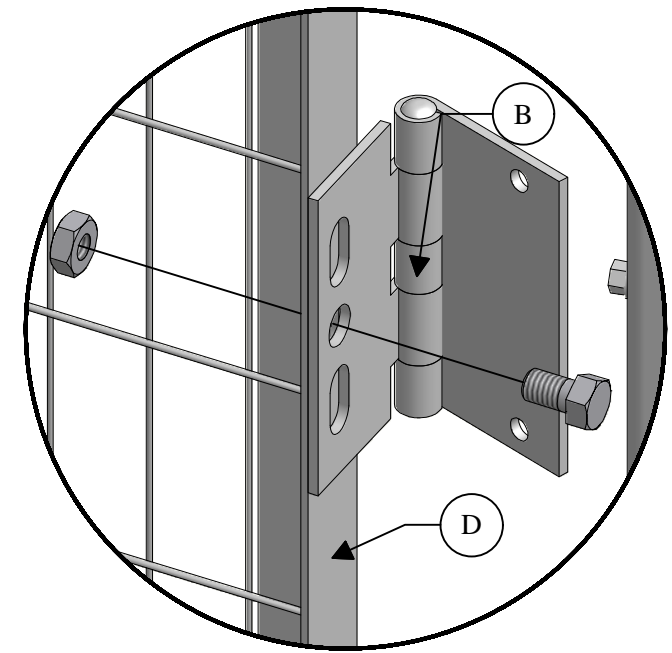


Fig. 3

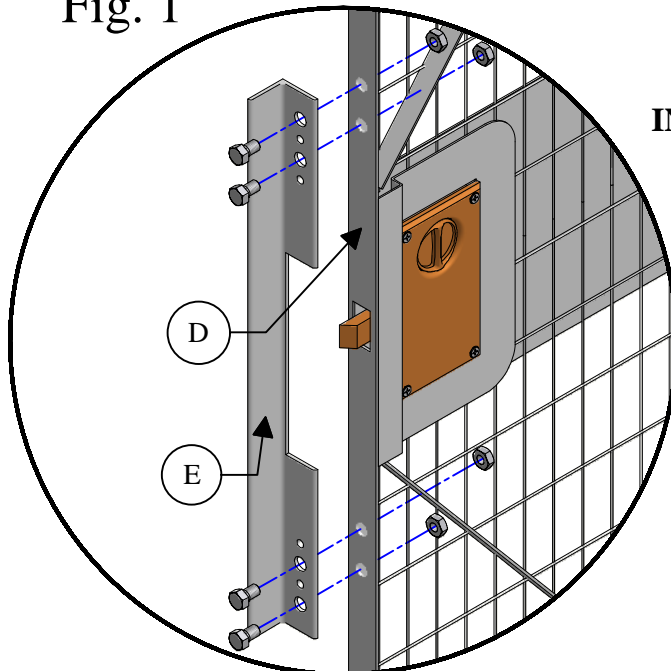


Fig. 4

### INSTALLER NOTES

Component parts attach using self-drilling screws. Use variable speed screw gun with adjustable clutch or depth locating nose piece. Use care not to overtighten and strip threads. **DO NOT USE IMPACT TYPE GUNS.**

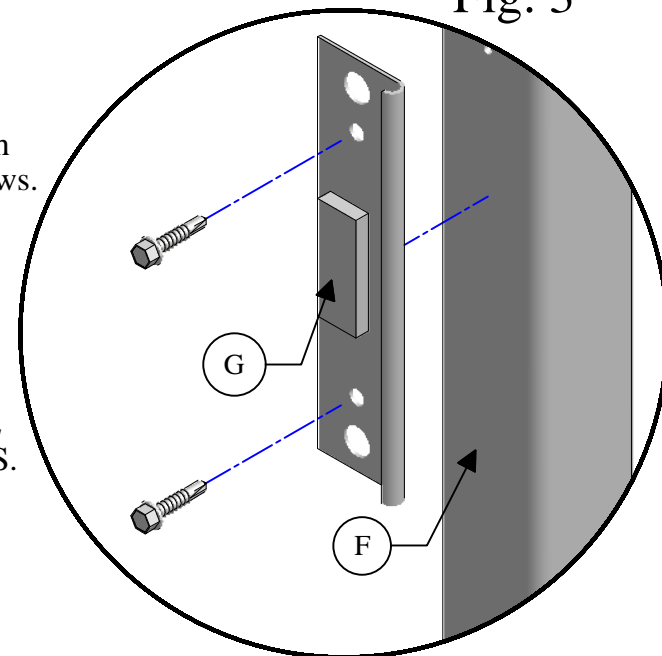
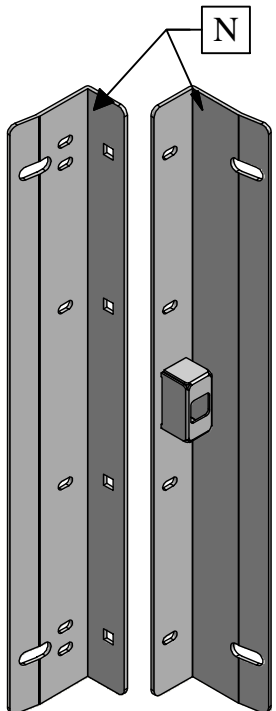
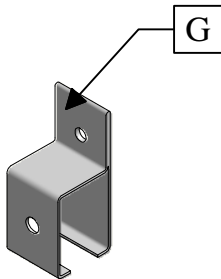


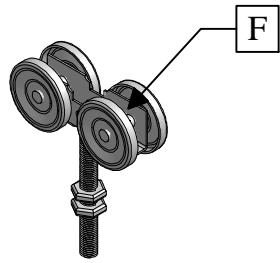
Fig. 5



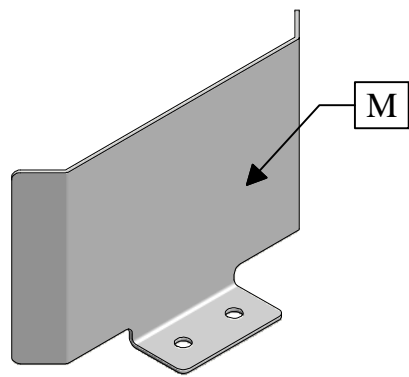
**SDRECA SDRECB**  
Slide Door Receiver  
Quantity (1)  
Part# SDREC



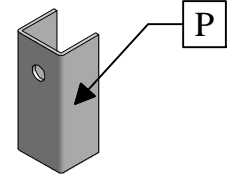
**Slide Door Track Bracket**  
Quantity (2)  
Part# SDTCBKT



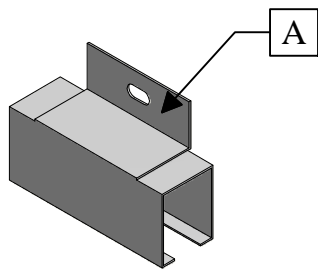
**4 Wheel Trolley truck**  
Quantity (2)  
Part# SDTT4WH



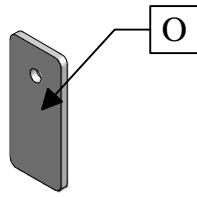
**Door Guide**  
Quantity (1)  
Part# SDDGH18



**1 11/6" x 1 1/2" Channel 4" Lg.**  
Quantity (1)  
Part# SDSDT

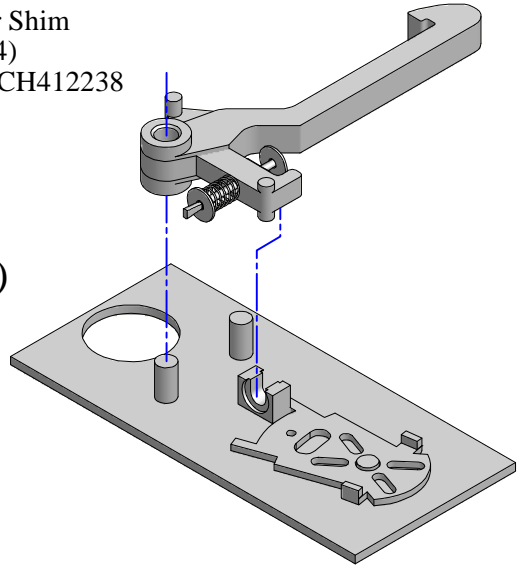


**Splice Track Bracket**  
Quantity (1)  
Part# SDTJBKT

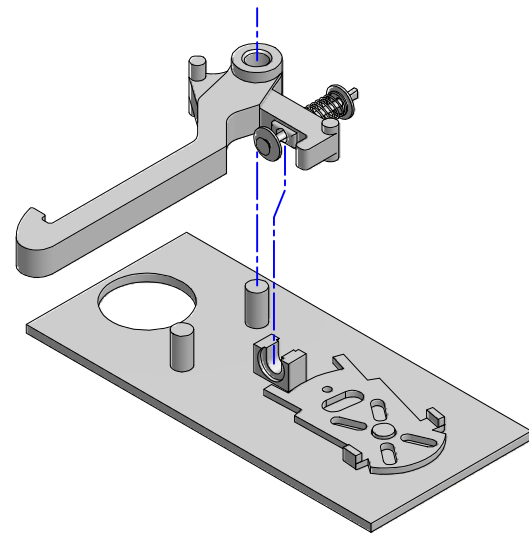


**Slide Door Shim**  
Quantity (4)  
Part# SDSCH412238

**SEE SUPPLIED LOCK**  
**MANUFACTURER INSTRUCTIONS FOR**  
**ASSEMBLY**



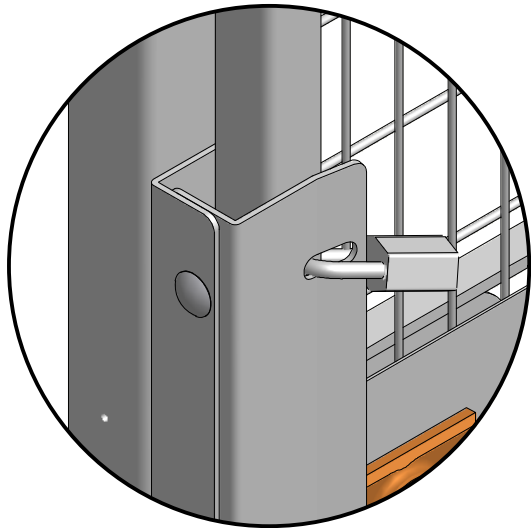
**RIGHT HAND ASSEMBLY**



**LEFT HAND ASSEMBLY**

**SDFSPK - Slide Door Fastener Pack (Contents below)**

- (35) FSHPOG - Gray Hole Plugs
- (2) COBO - 3/8" Corner bolts
- (9) FS383 - 3/8" Hex Head Cap Screw
- (2) FS381 - 3/8" x 1" Hex Head cap Screw
- (17) FS38N - 3/8" Hex Nut
- (6) FS38STA - 3/8" Wedge Anchor
- (6) FS38FW - 3/8" Flat Washer
- (1) FS38112 - 3/8" x 1 1/2" Hex Head Cap Screw
- (1) FSTRNSPK - 1/4" x 1" Self-Drilling Screws (25) & 5/16" Carriage Bolts (4)



## TYPICAL PADLOCK LUG CONNECTION

### INSTALLER NOTES

Component parts attach using self-drilling screws. Use variable speed screw gun with adjustable clutch or depth locating nose piece. Use care not to overtighten and strip threads. **DO NOT USE IMPACT TYPE GUNS.**

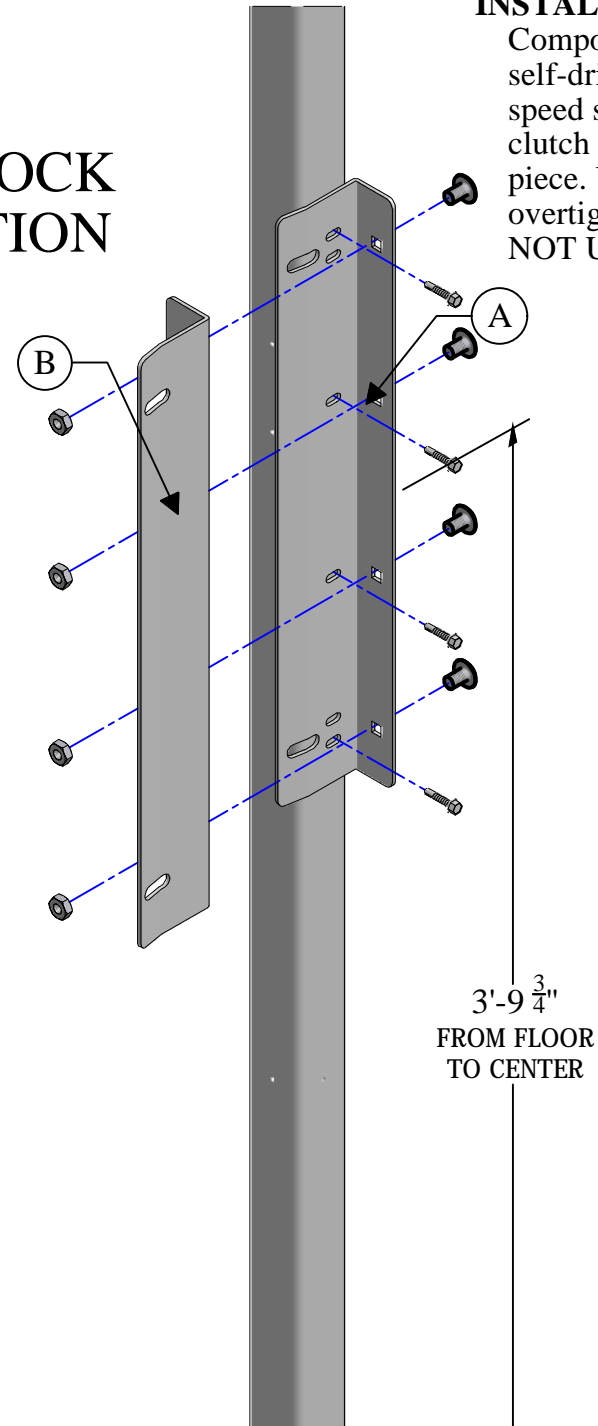
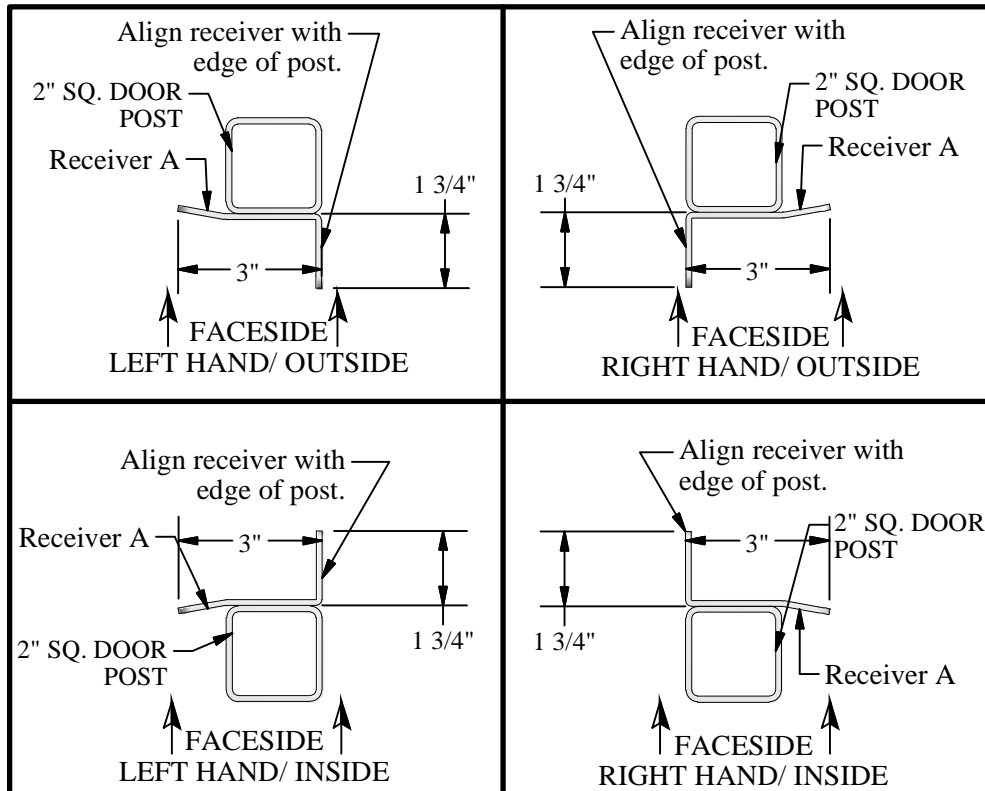


Fig. 1

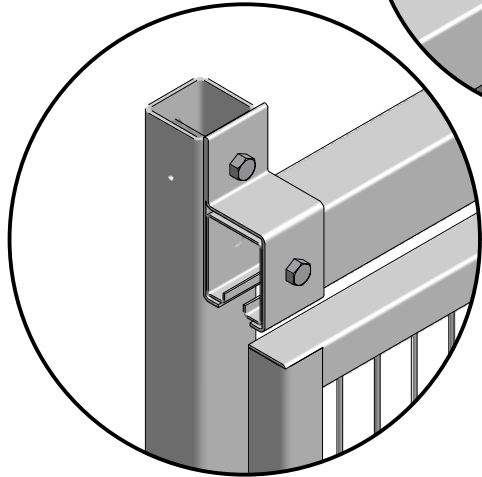
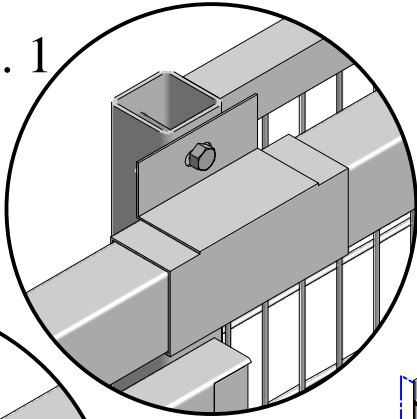


Fig. 2

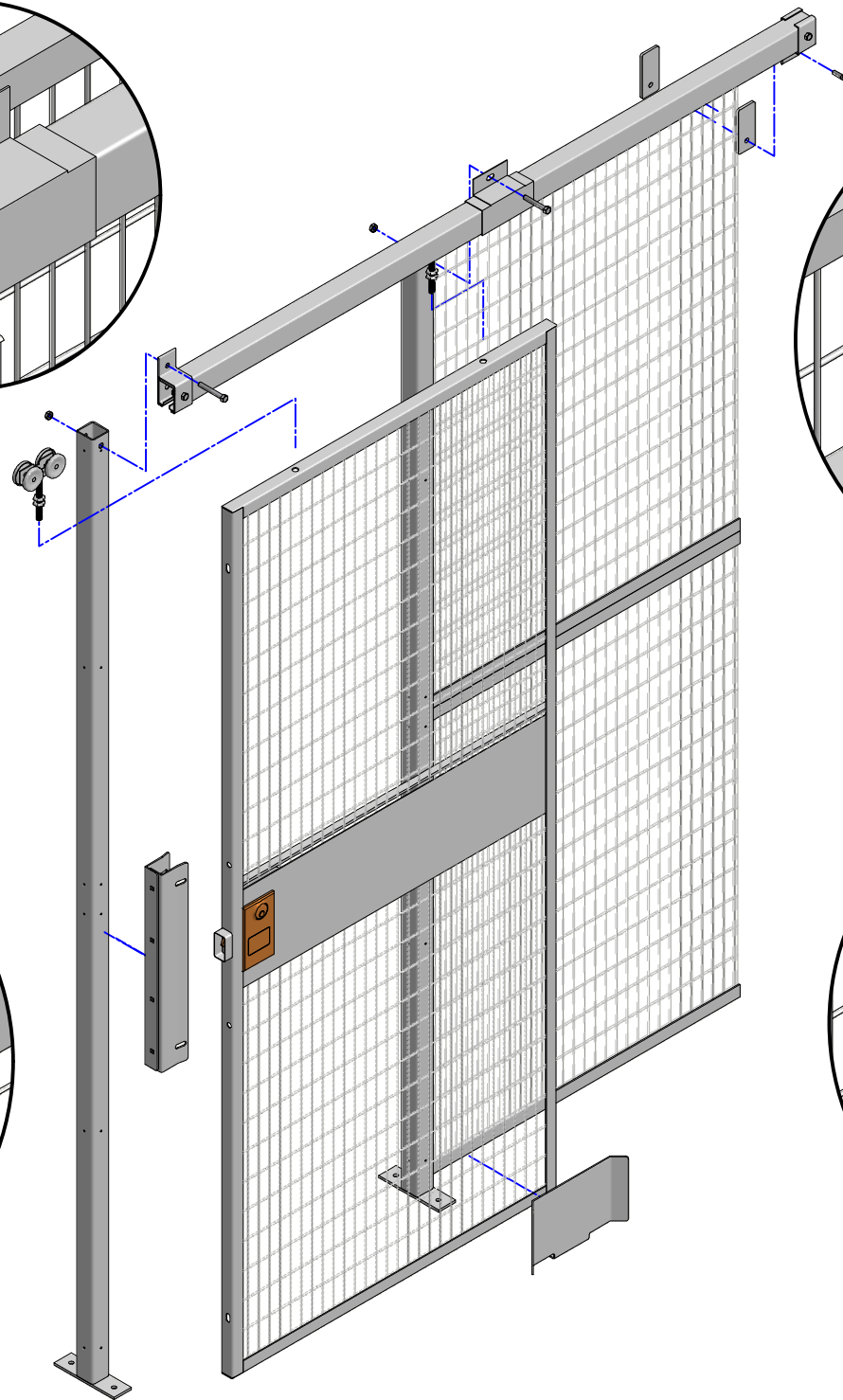


Fig. 3

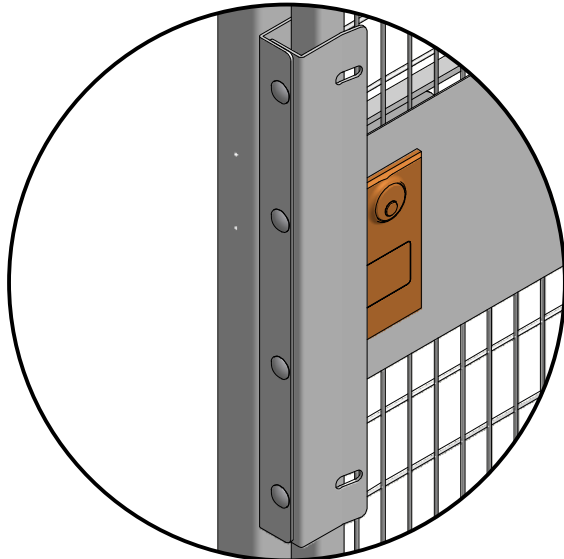
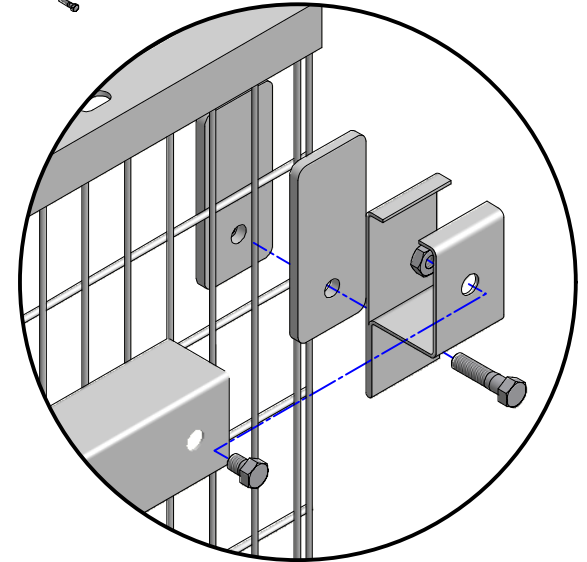


Fig. 5

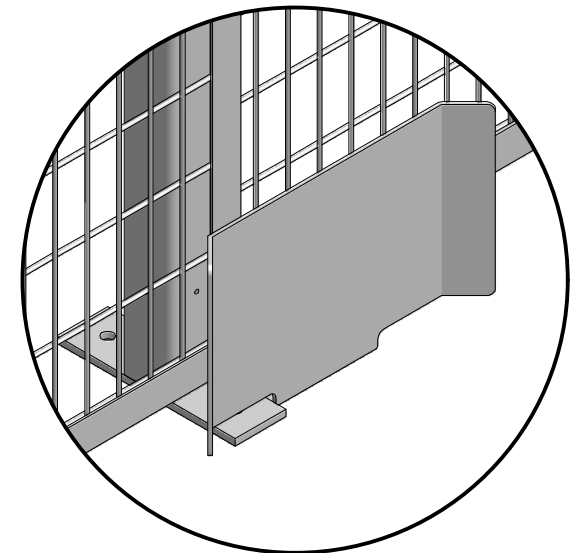


Fig. 4

RapidWire

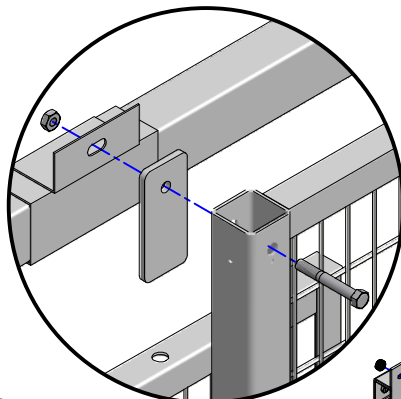


Fig. 1

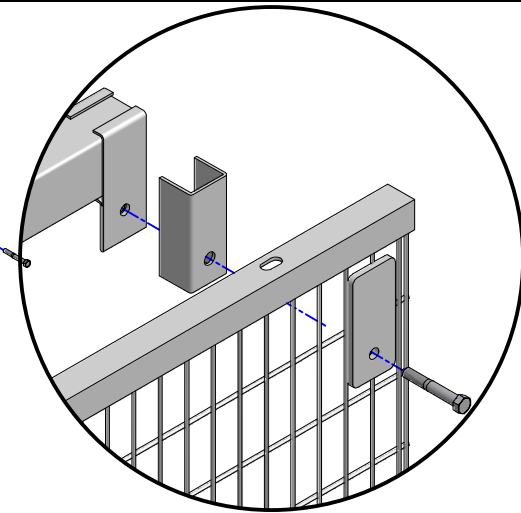


Fig. 3

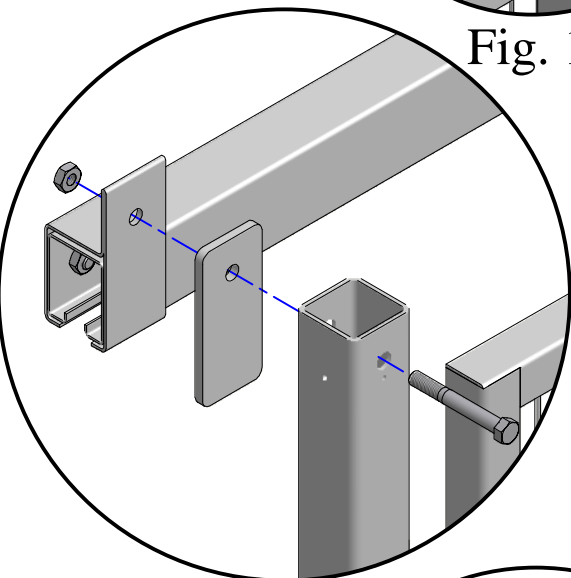


Fig. 2

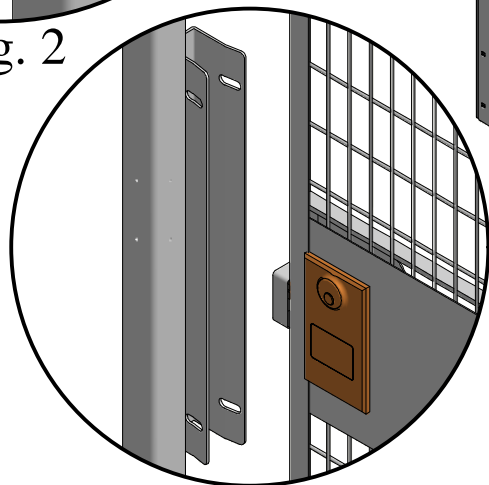


Fig. 5

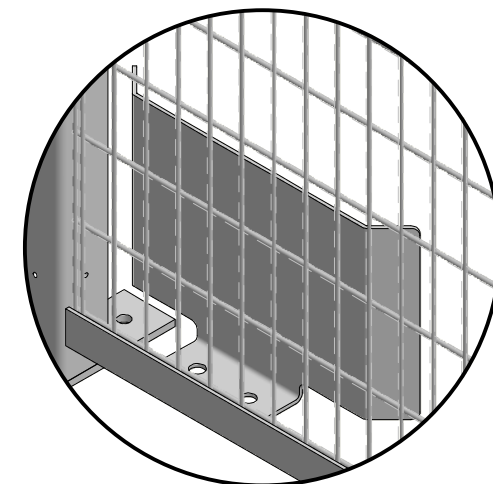
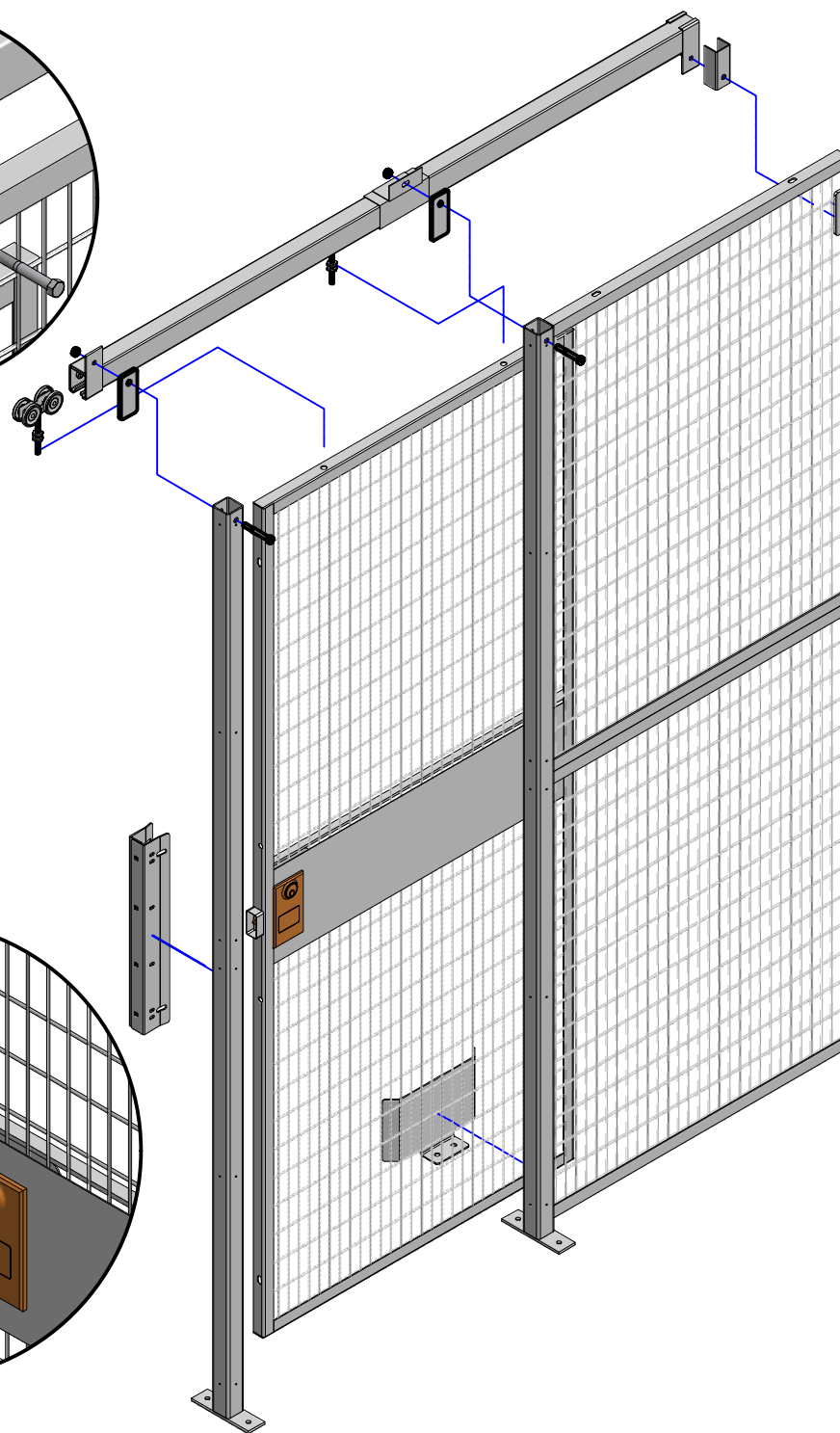
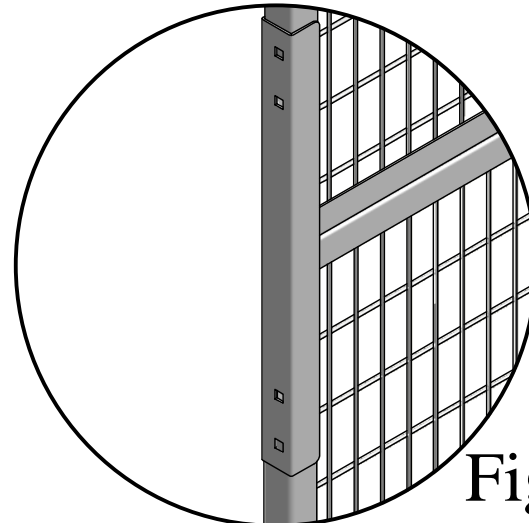
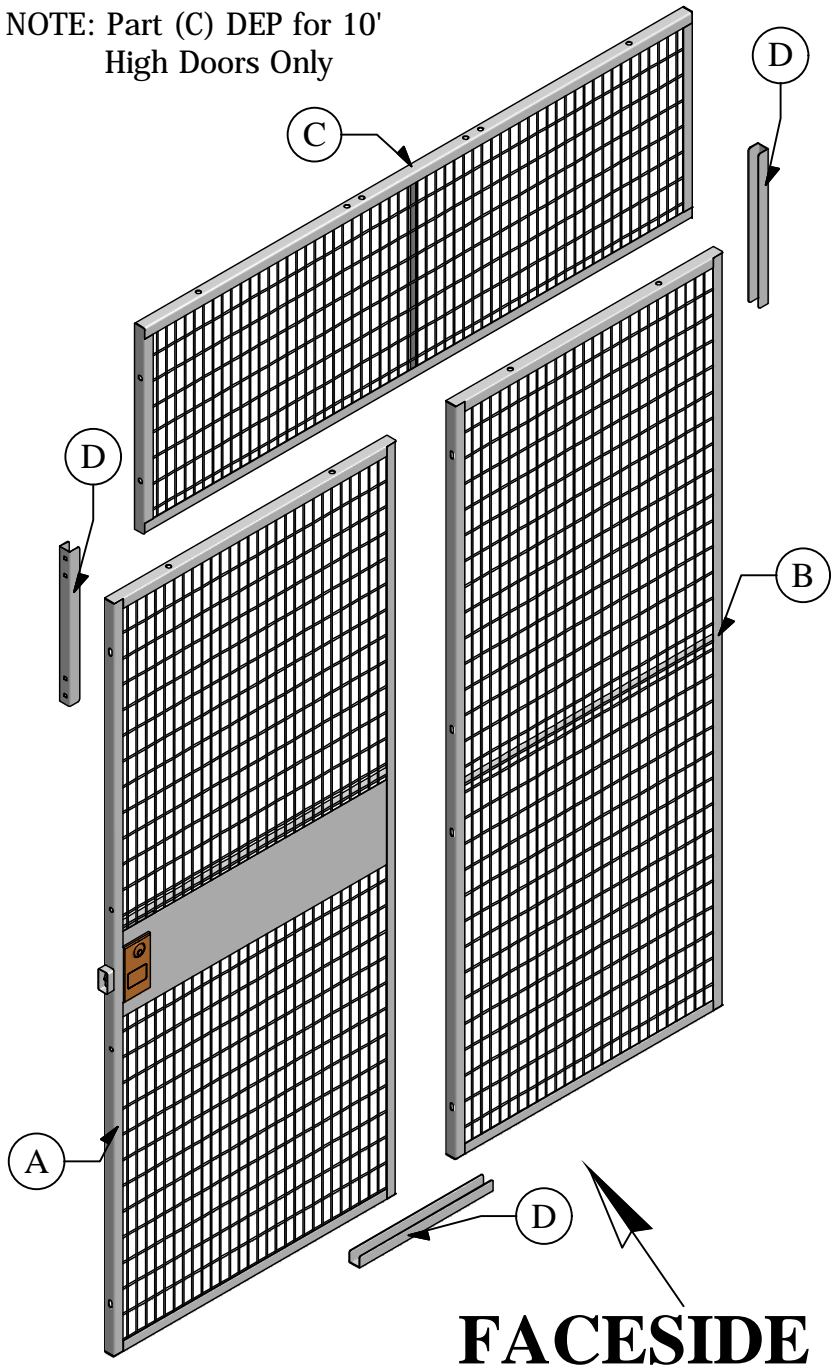


Fig. 4

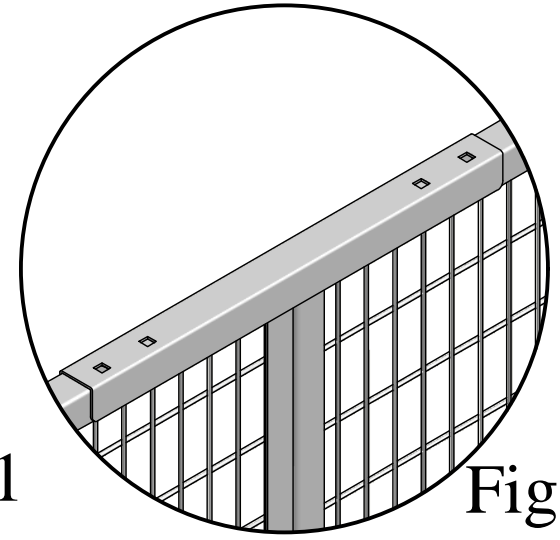


NOTE: Part (C) DEP for 10'  
High Doors Only



10' High Doors or Taller

Fig. 1



8' High Doors or Shorter

Fig. 2

**FACESIDE**