

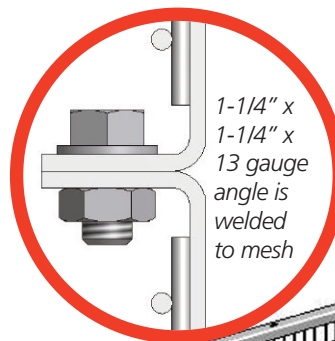
# RapidWire™

## A Welded Wire Solution.

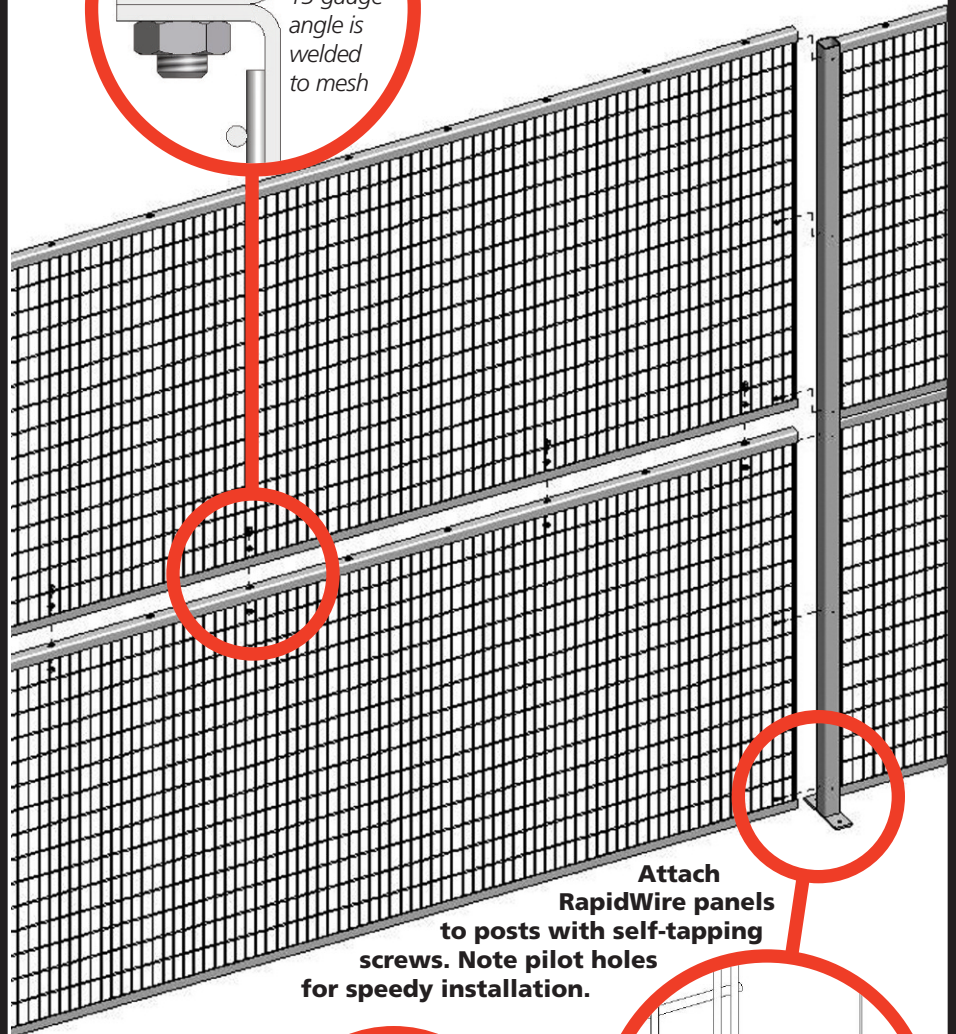
...a totally new product from WireCrafters, a longtime leader in woven and welded wire solutions!

### RapidWire at a Glance!

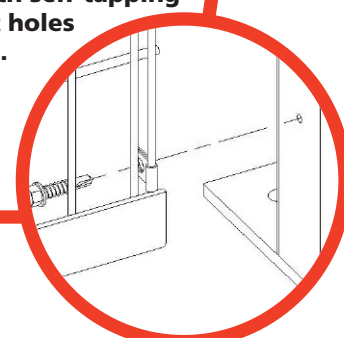
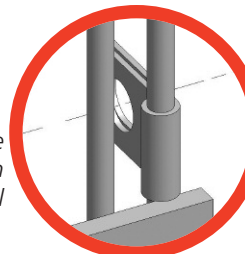
- RapidWire panels are 8'-0" wide by 3'-0", 4'-0", 5'-0" high (nominal). Any other panel sizes needed may be "tailored-made" on-site, in the field.
- Standard welded mesh is 1-1/4" x 3" (10 gauge or 8 gauge).
- RapidWire posts are 2" square and constructed of 14-gauge steel with welded base plates and pilot holes.
- RapidWire orders **ship in 24 hours!**



Simply stack RapidWire panels and bolt together using 3/8" x 1" bolts.



RapidWire connection detail



6208 Strawberry Lane  
Louisville, KY 40214  
800-626-1816  
www.wirecrafters.com



# WireCrafters