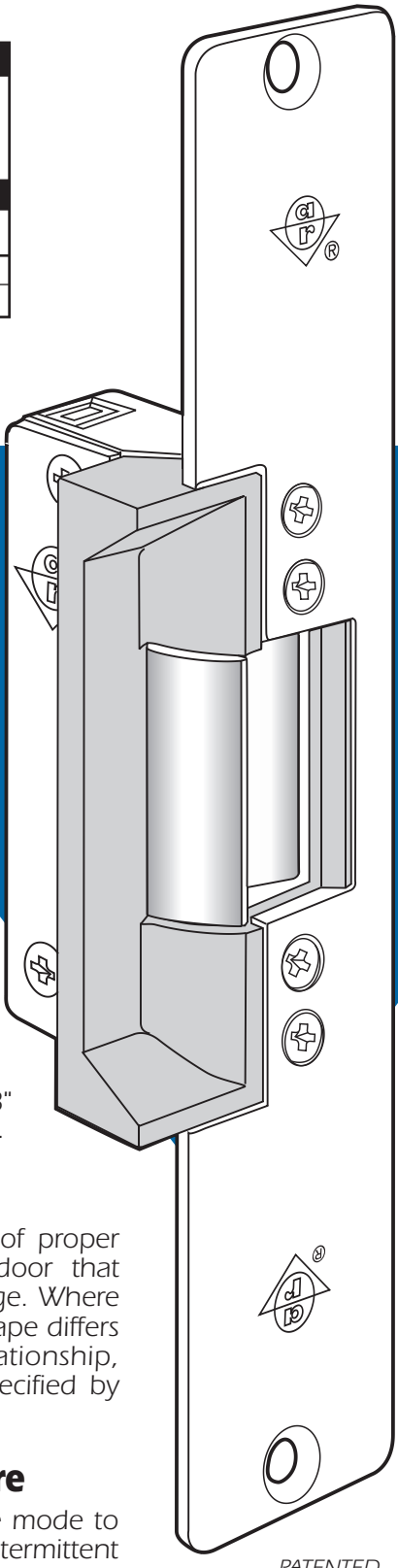


VOLTAGE		
Available in 12 or 24 volt AC and DC. DC Continuous units are silent, AC intermittent units "buzz" on operation.		
CURRENT DRAW/AMPS		
Volts	AC Int.	DC Cont.
12	1.42	.33
24	.74	.17



7110, 7111

ANSI/BHMA Type EO9321 (Grade 1)

LATCH TYPE	
	Adams Rite or Cylindrical Latches with 1/2" to 5/8" Projection.
DOOR FRAME TYPE	
	Hollow Metal
	Narrowline Aluminum
	Wood

UL Listed for Burglary Resistance

▼ **Case**
Approx. 1" x 3-3/8" x 1-5/8" deep. Zinc-aluminum alloy.

▼ **Strike Lip**
Basic 7110 strike has lip of proper length for 1-3/4" thick door that closes flush with jamb edge. Where door thickness or jamb shape differs from this standard relationship, extended lip available, specified by last dash number.

▼ **Fail Safe/Fail Secure**
Field convertible from one mode to the other. However, AC intermittent solenoid must not be used continuously in either.

▼ **Strike Opening**
5/8" x 1-7/16" x 1/2" deep. Bolt retainer jaw is stainless steel. Strike accepts bolt of any Adams Rite 4500/4700/4900 Series deadlatch or cylindrical latches.

▼ **Faceplate**
Faceplate for 7110 measures 1-7/16" x 7-15/16". For 7111, faceplate is 1-7/16" x 10-1/4". Available in a wide range of architectural finishes.

▼ **Function**
Replaces earlier 002, 7510 or 7810 electric releases in either metal or wooden jambs for remote electrical control of any door equipped with cylindrical latchset or Adams Rite Series 4500/4700/4900 (or similar) deadlatch. Electrical actuation unlocks strike jaw, releasing latchbolt so door can be opened without operating latch itself. Extremely compact mechanism fits into jamb sections as shallow as 1-5/8".

