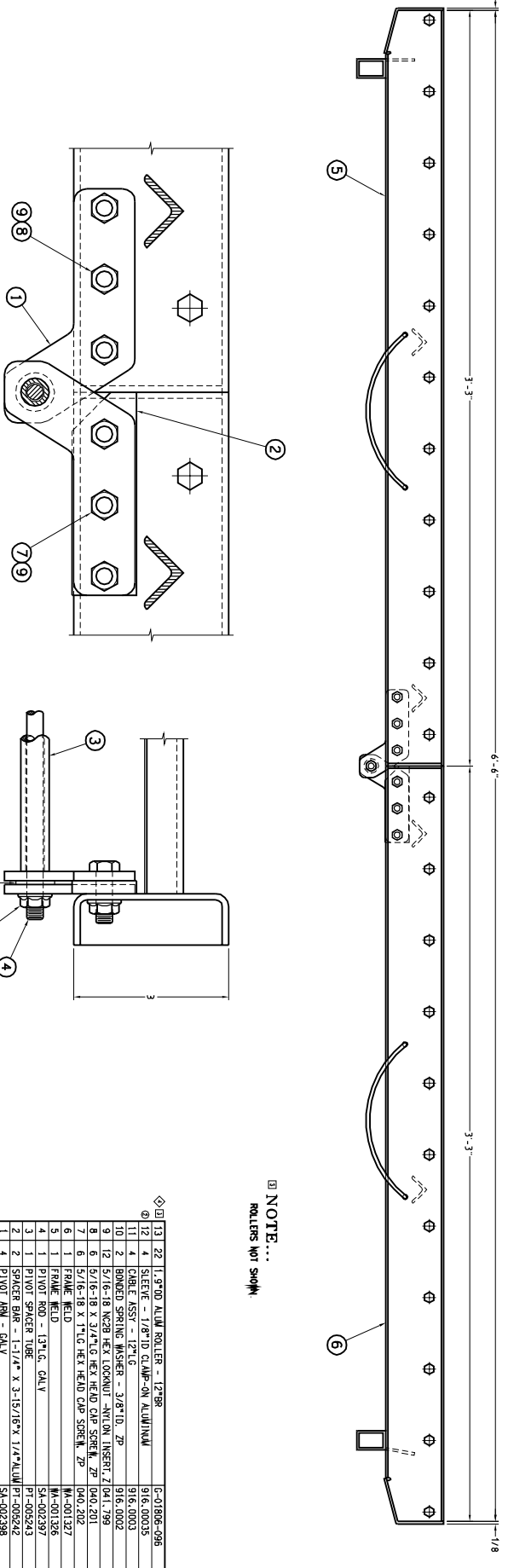
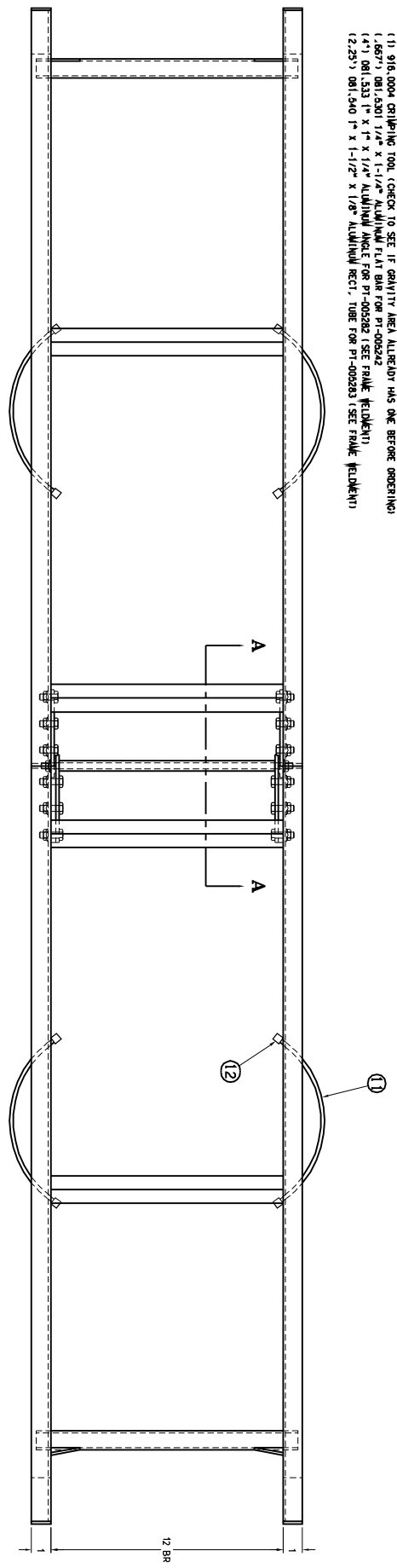


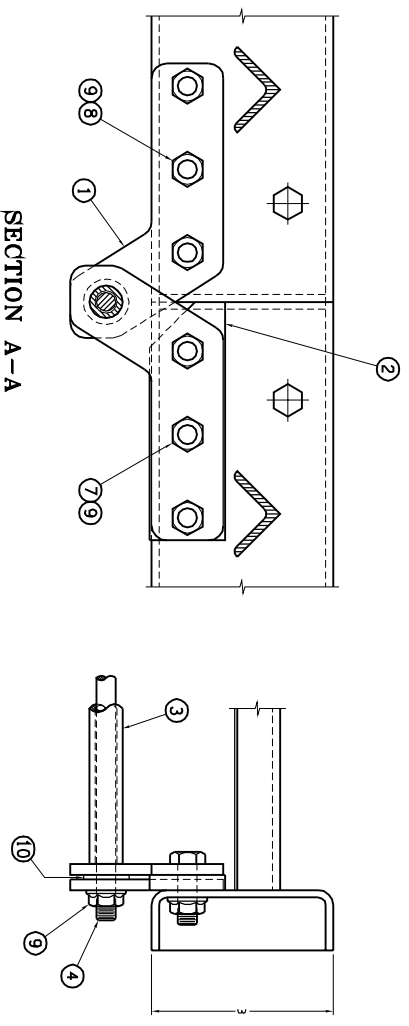
THIS DRAWING CONTAINS CONFIDENTIAL DESIGNS AND INFORMATION WHICH ARE THE PROPERTY OF HTRROL CONVEYOR COMPANY, INC. THIS DRAWING AND THE INFORMATION CONTAINED HEREIN MAY NOT BE DISCLOSED OR DUPLICATED IN WHOLE OR IN PART, UTILIZED IN ANY OTHER WORK, OR USED FOR MANUFACTURE OF DESIGNS WITHOUT THE PRIOR WRITTEN PERMISSION OF HTRROL CONVEYOR COMPANY, INC.

**NOTES:**

- MATERIALS TO BE PURCHASED**  
 (2) 916,0002 BONDED SPRING WASHER  
 (1) 916,0004 CRIMPING TOOL (CHECK TO SEE IF GALVANYT AREL ALLELLOY HAS ONE BEFORE ORDERING)  
 (1,867) 081,5301 1/4" X 1-1/4" ALUMINUM FLAT BAR FOR P1-005242  
 (4) 1,081,533 1" X 1" X 1/4" ALUMINUM ANGLE FOR P1-005282 (SEE FRAME FIELD#1)  
 (2,25) 081,540 1" X 1-1/2" X 1/8" ALUMINUM RECT. TUBE FOR P1-005283 (SEE FRAME FIELD#1)



**SECTION A-A**



NOTE: ROLLERS NOT SHOWN

ITEM	QTY	DESCRIPTION	MATERIAL
1	4	PIVOT ARM - CAL.V	SA-002398
2	2	SPACER BAR - 1-1/4" X 3-15/16" X 1/4" ALUM.	PT-005242
3	1	PIVOT ROD - 13/16" G. CAL.V	SA-002397
4	1	PIVOT SPACER TUBE	PT-005243
5	1	FRAME FIELD	MA-001326
6	5/16-18 X 1/4 G. HEX. HEAD CAP. SCREW, ZP	040-202	
7	5/16-18 X 3/4" G. HEX. HEAD CAP. SCREW, ZP	040-201	
8	5/16-18 X 3/4" G. HEX. HEAD CAP. SCREW, ZP	040-201	
9	12	5/16-18 KC23 HEX LOCKWASH - NYLON INSERT 7.041.799	916,0002
10	2	BONDED SPRING WASHER - 3/8" ID, ZP	916,0002
11	4	STEVE 1/8" ID CLAMP ON ALUMINUM	G-01886-996
12	22	9700 ALUM ROLLER - 12" BR	G-01886-996

<b>COMPANY</b>	HTRROL CONVEYOR COMPANY, INC.
<b>ADDRESS</b>	1000 W. 10TH ST. SUITE 100, DENVER, CO 80202
<b>PHONE</b>	303.733.1100
<b>FAX</b>	303.733.1101
<b>EMAIL</b>	SALES@HTRROL.COM
<b>WEBSITE</b>	WWW.HTRROL.COM
<b>REVISED BY</b>	STEVE COOK
<b>DATE</b>	07/22/2002
<b>SCALE</b>	3/8"
<b>PROJECT</b>	FA-000783
<b>DESCRIPTION</b>	FINAL ASSEMBLY
<b>DATE</b>	07/22/2002
<b>BY</b>	SALES

<b>REV</b>	<b>DATE</b>	<b>DESCRIPTION</b>
1	10/4/2006	REVISED PER SALES
2	3/8/2006	REVISED PER SALES