

72" STADIUM KNOCKDOWN LOCKER W/ SHELF, FOOT LOCKER & SECURITY BOX

24" & 33" WIDE, ALLOW 1/16" CREEPAGE PER FRAME
 TYPICAL FOR 18", 21" & 24" DEEP

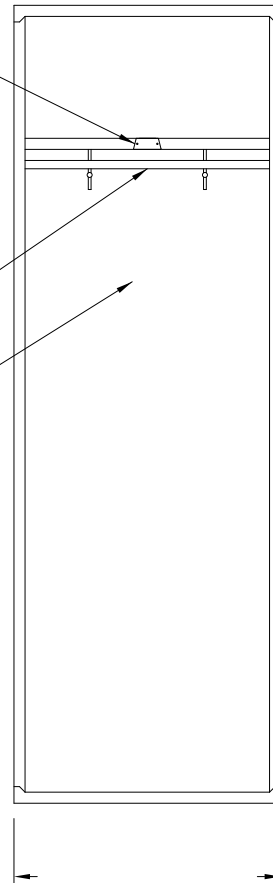
This drawing shows a standard Penco Product. Any modifications to the product must be approved by Penco Engineering. 8/6/2001



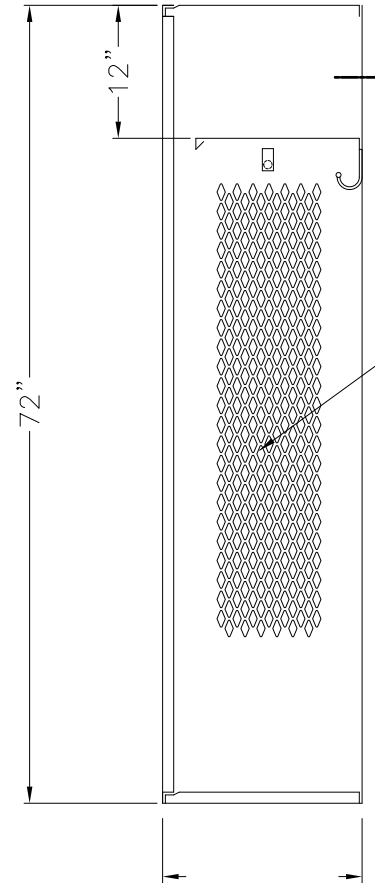
ALUMINUM NUMBER PLATE

ONE COAT ROD & TWO SINGLE
PRONG WALL HOOKS EACH
OPENING

18GA. SOLID BACK



ELEVATION



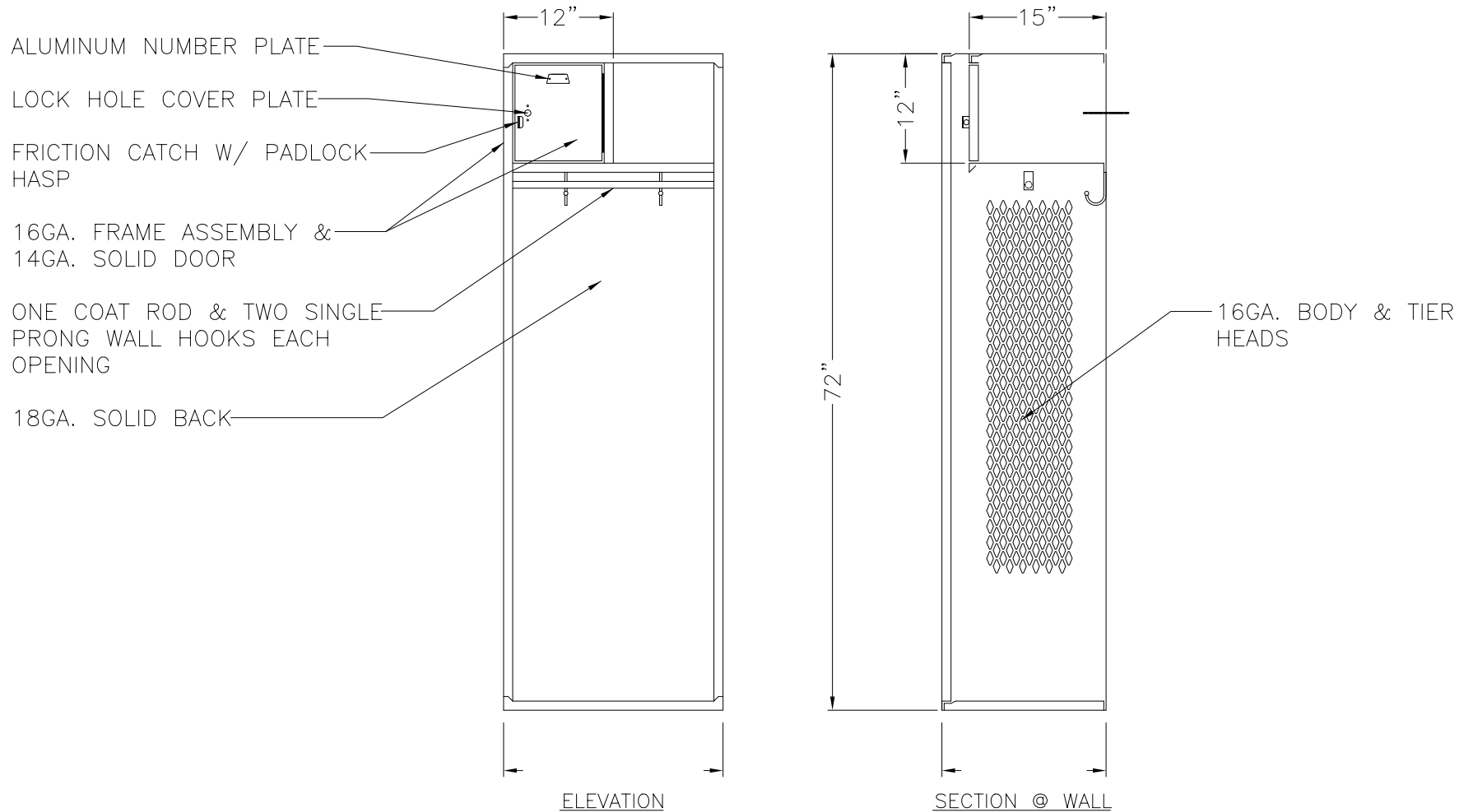
16GA. BODY & TIER
HEADS

SECTION @ WALL

72" STADIUM KNOCKDOWN LOCKER
24" & 33" WIDE, ALLOW 1/16" CREEPAGE PER FRAME
TYPICAL FOR 18", 21" & 24" DEEP

This drawing shows a standard Penco Product. Any modifications to the product must be approved by Penco Engineering. 8/6/2001





72" STADIUM KNOCKDOWN LOCKER W/ SHELF & SECURITY BOX

24" & 33" WIDE, ALLOW 1/16" CREEPAGE PER FRAME
 TYPICAL FOR 18", 21" & 24" DEEP

This drawing shows a standard Penco Product. Any modifications to the product must be approved by Penco Engineering. 8/6/2001



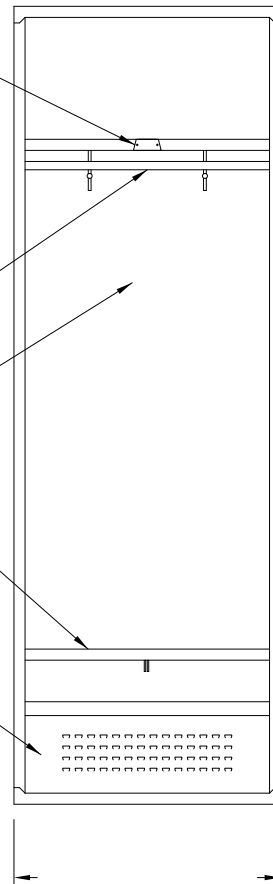
ALUMINUM NUMBER PLATE

ONE COAT ROD & TWO SINGLE PRONG WALL HOOKS EACH OPENING

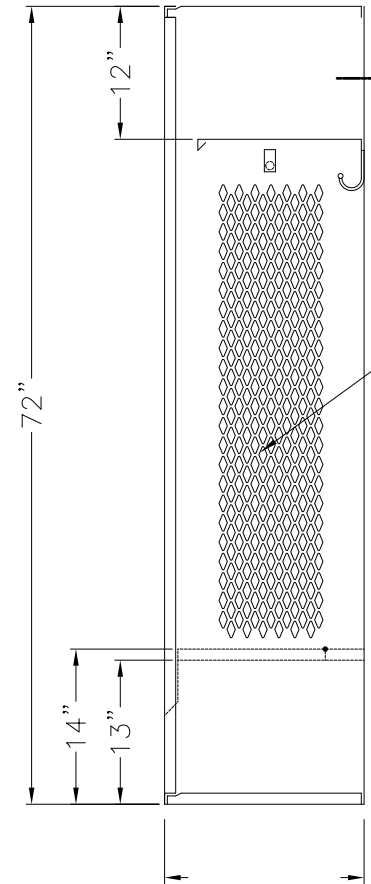
18GA. SOLID BACK

14GA. FOOT LOCKER DOOR W/ REINFORCEMENT PAN, PADLOCK HASP & CONTINUOUS HINGE

14GA. MINI-LOUVERED FOOT LOCKER FRONT PANEL



ELEVATION



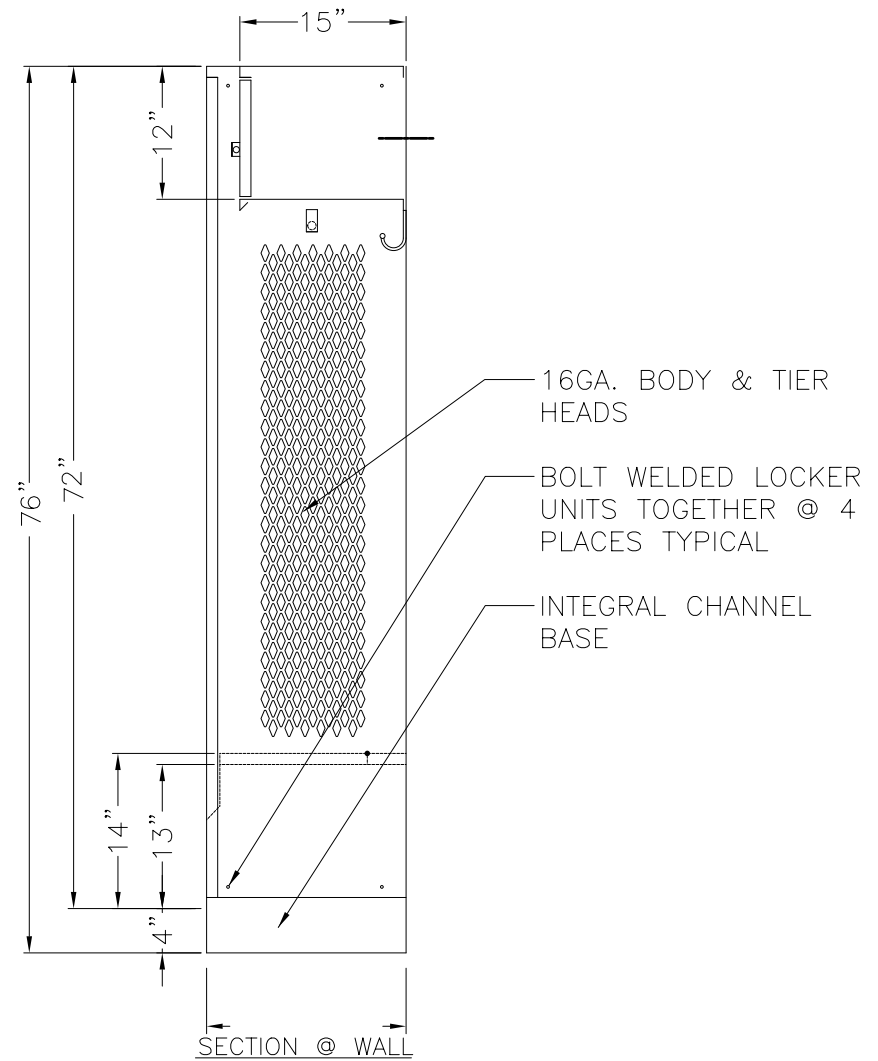
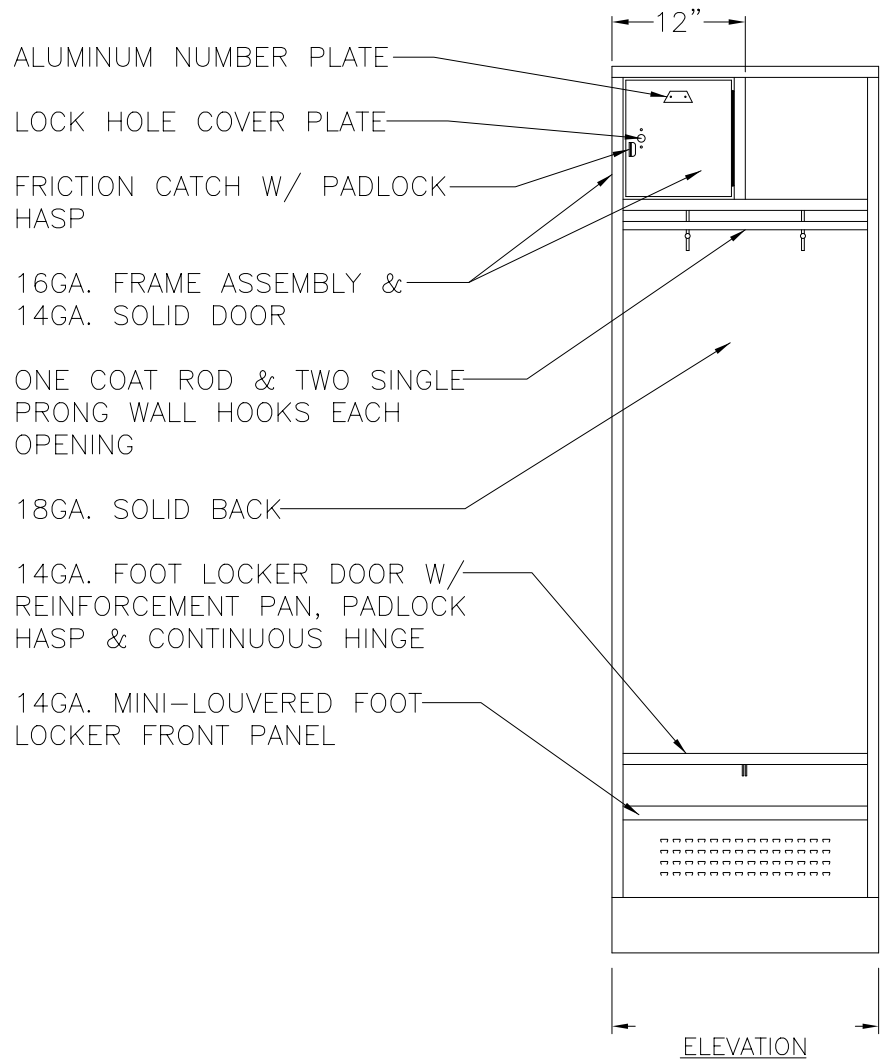
SECTION @ WALL

72" STADIUM KNOCKDOWN LOCKER W/ SHELF & FOOT LOCKER

24" & 33" WIDE, ALLOW 1/16" CREEPAGE PER FRAME
TYPICAL FOR 18", 21" & 24" DEEP

This drawing shows a standard Penco Product. Any modifications to the product must be approved by Penco Engineering. 8/6/2001





76" STADIUM ALL-WELDED LOCKER W/ SHELF, FOOT LOCKER & SECURITY BOX

24" & 33" WIDE, ALLOW 1/16" CREEPAGE PER FRAME
TYPICAL FOR 18", 21" & 24" DEEP

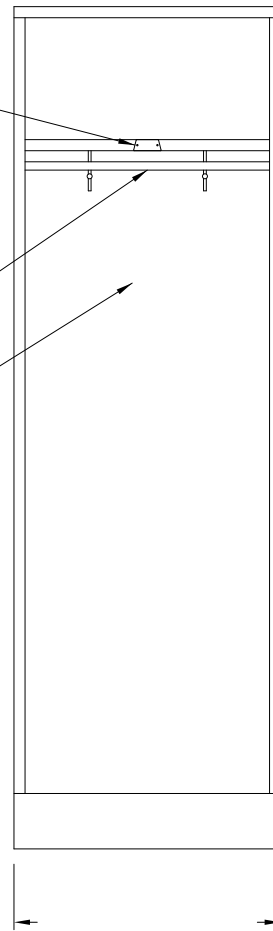
This drawing shows a standard Penco Product. Any modifications to the product must be approved by Penco Engineering. 8/6/2001



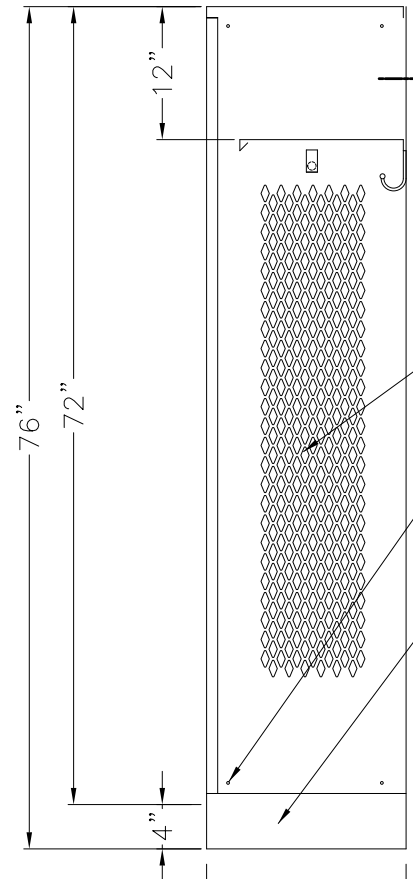
ALUMINUM NUMBER PLATE

ONE COAT ROD & TWO SINGLE PRONG WALL HOOKS EACH OPENING

18GA. SOLID BACK



ELEVATION



SECTION @ WALL

16GA. BODY & TIER HEADS

BOLT WELDED LOCKER UNITS TOGETHER @ 4 PLACES TYPICAL

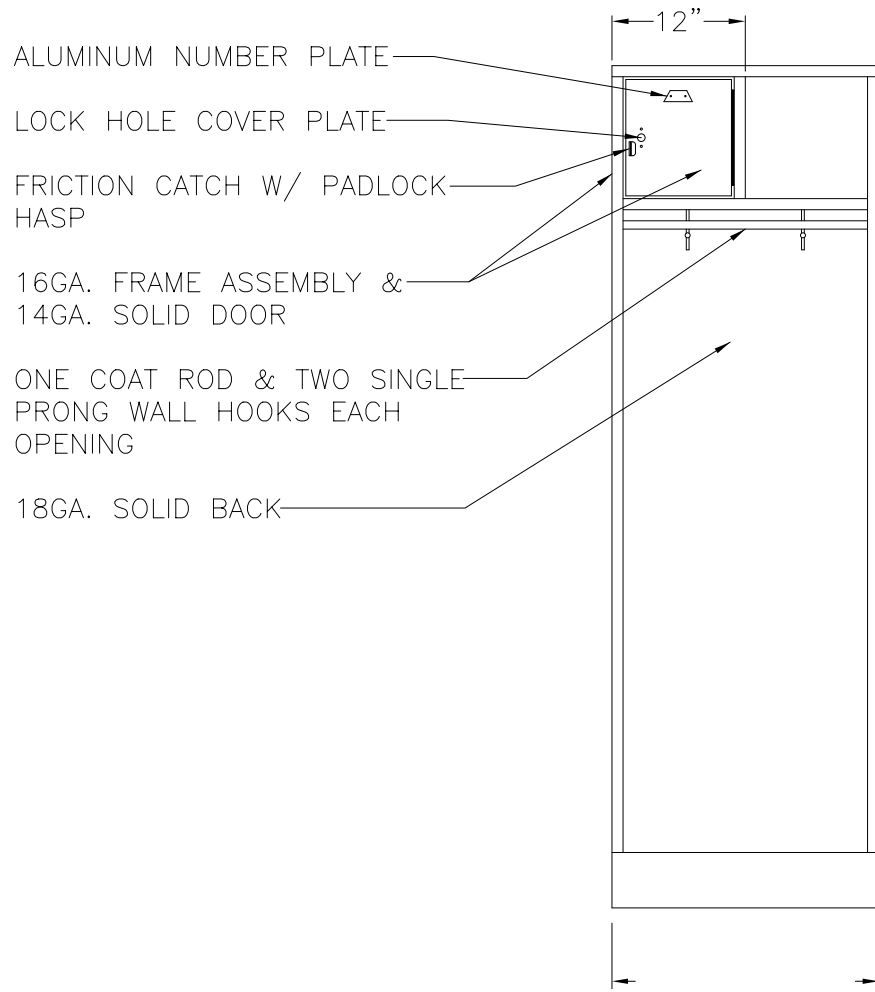
INTEGRAL CHANNEL BASE

76" STADIUM ALL-WELDED LOCKER W/ SHELF

24" & 33" WIDE, ALLOW 1/16" CREEPAGE PER FRAME
TYPICAL FOR 18", 21" & 24" DEEP

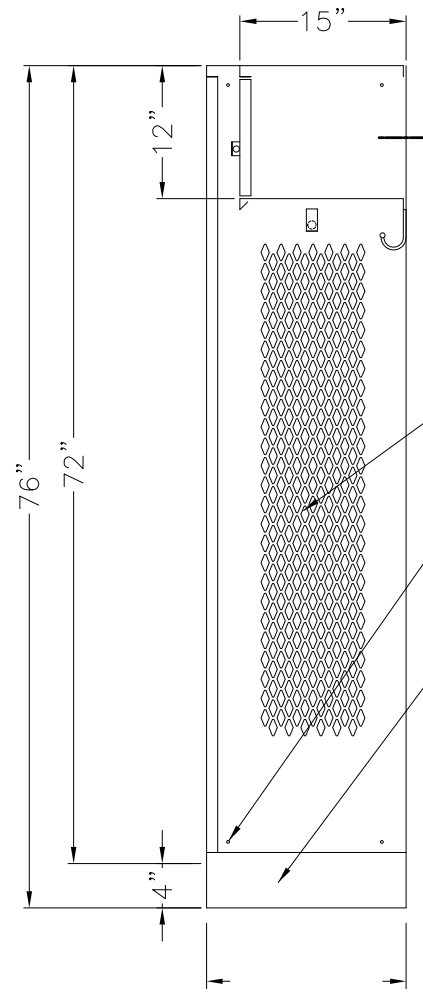
This drawing shows a standard Penco Product. Any modifications to the product must be approved by Penco Engineering. 8/6/2001





- ALUMINUM NUMBER PLATE
- LOCK HOLE COVER PLATE
- FRICTION CATCH W/ PADLOCK HASP
- 16GA. FRAME ASSEMBLY & 14GA. SOLID DOOR
- ONE COAT ROD & TWO SINGLE PRONG WALL HOOKS EACH OPENING
- 18GA. SOLID BACK

ELEVATION



- 16GA. BODY & TIER HEADS
- BOLT WELDED LOCKER UNITS TOGETHER @ 4 PLACES TYPICAL
- INTEGRAL CHANNEL BASE

SECTION @ WALL

76" STADIUM ALL-WELDED LOCKER W/ SHELF & SECURITY BOX

24" & 33" WIDE, ALLOW 1/16" CREEPAGE PER FRAME
TYPICAL FOR 18", 21" & 24" DEEP

This drawing shows a standard Penco Product. Any modifications to the product must be approved by Penco Engineering. 8/6/2001

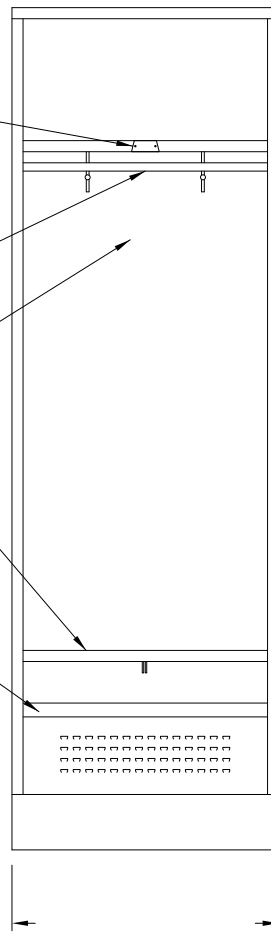
ALUMINUM NUMBER PLATE

ONE COAT ROD & TWO SINGLE PRONG WALL HOOKS EACH OPENING

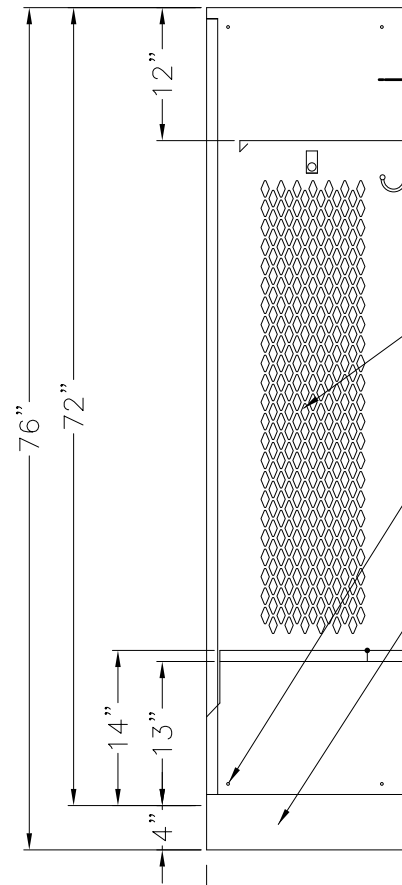
18GA. SOLID BACK

14GA. FOOT LOCKER DOOR W/ REINFORCEMENT PAN, PADLOCK HASP & CONTINUOUS HINGE

14GA. MINI-LOUVERED FOOT LOCKER FRONT PANEL



ELEVATION



SECTION @ WALL

16GA. BODY & TIER HEADS

BOLT WELDED LOCKER UNITS TOGETHER @ 4 PLACES TYPICAL

INTEGRAL CHANNEL BASE

76" STADIUM ALL-WELDED LOCKER W/ SHELF & FOOT LOCKER

24" & 33" WIDE, ALLOW 1/16" CREEPAGE PER FRAME
TYPICAL FOR 18", 21" & 24" DEEP

This drawing shows a standard Penco Product. Any modifications to the product must be approved by Penco Engineering. 8/6/2001

