

GENERAL INSTRUCTIONS

- 1.) BE SURE TO USE A LOCKWASHER UNDER EVERY BOLT HEAD WHEN THE INSTRUCTIONS SPECIFY.
- 2.) WOOD SCREWS FOR ATTACHING RISER SHELF SUPPORTS, BACK STOP, END STOPS, AND BENCH DRAWERS TO A WOOD BENCH TOP ARE NOT SUPPLIED BY LYON. CUSTOMER IS TO SUPPLY NO. 14 x 1" ROUND HEAD WOOD SCREWS FOR THIS PURPOSE.

ASSEMBLY INSTRUCTIONS FOR STANDARD STEEL WORK BENCH

OPERATION No.1

- 1.) LAY THE BENCH TOP UPSIDE DOWN ON TWO STRIPS OF WOOD TO RAISE IT OFF THE FLOOR.
- 2.) BOLT AN ATTACHMENT CHANNEL TO EACH END OF THE BENCH TOP WITH THREE NO.3 BOLTS. REFER TO DETAILS NO.1 AND NO.2.

OPERATION No.2

- 1.) SET A BENCH LEG IN POSITION AT EACH END OF THE BENCH TOP AND BOLT IT TO THE RETURN FLANGES OF THE TOP WITH NO.2 BOLTS AS SHOWN IN DETAIL NO.1. BE SURE TO PLACE A LOCKWASHER UNDER THE HEAD OF EACH BOLT. DRAW NUTS UP TIGHT.
- 2.) ATTACH THE STRINGER TO THE REAR UPRIGHT OF EACH BENCH LEG AS CLOSE AS POSSIBLE TO THE BENCH TOP USING TWO NO.2 BOLTS AT EACH END. THIS COMPLETES THE BASIC BENCH.

ACCESSORIES FOR BENCHES

BENCH SHELF

- 1.) BOLT THE SHELF TO THE REAR UPRIGHT MEMBER OF EACH BENCH LEG WITH TWO NO.2 BOLTS. THEN, BOLT THE SHELF TO THE BOTTOM CROSSMEMBER OF EACH LEG WITH ONE NO.2 BOLT AS SHOWN IN DETAIL NO.3.

BACK AND END STOPS

- 1.) BOLT THE BACK STOP TO THE REAR FLANGE OF THE BENCH TOP USING NO.1 BOLTS. REFER TO DETAIL NO.3.
- 2.) BOLT AN END STOP TO EACH END OF THE BENCH TOP USING NO.1 BOLTS. REFER TO DETAIL NO.3.

BENCH RISER

- 1.) BOLT A RISER SUPPORT TO THE BENCH TOP (AT THE REAR CORNERS) WITH ONE NO.1 BOLT. REMOVE THE NO.3 BOLT IF ONE HAS BEEN INSTALLED. REFER TO DETAIL NO.3.

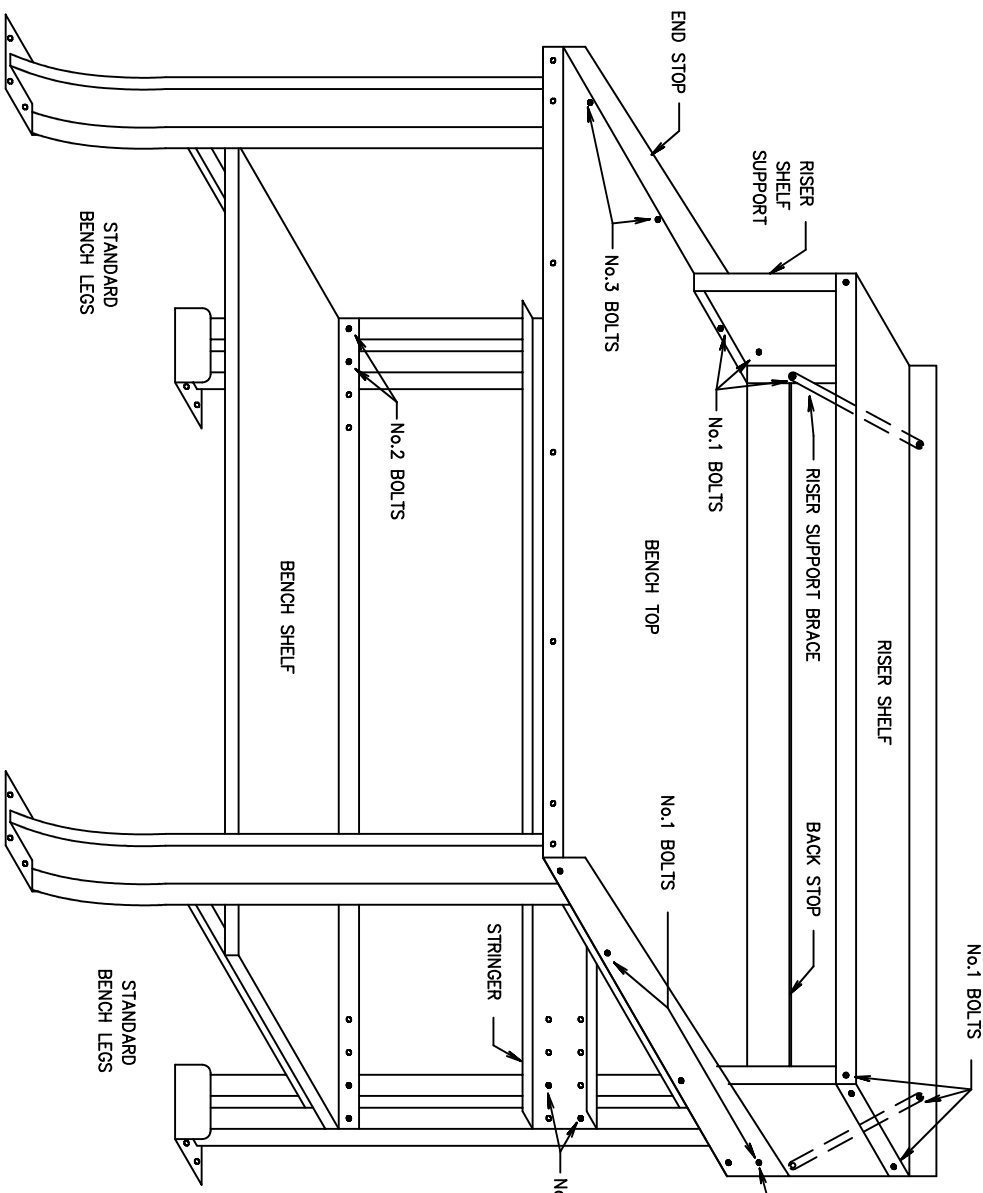
NOTE:

IF BACK AND END STOPS ARE TO BE INSTALLED, THE NO.1 BOLTS, THAT GO THROUGH THE BACK AND END STOPS, SHOULD ALSO GO THROUGH THE RISER SHELF SUPPORT.

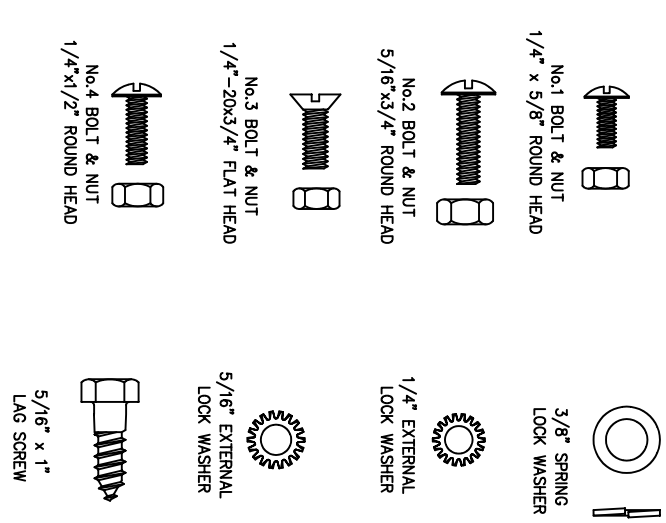
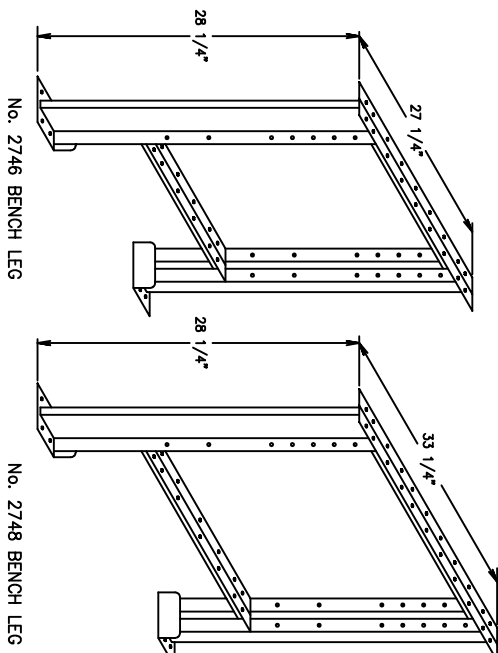
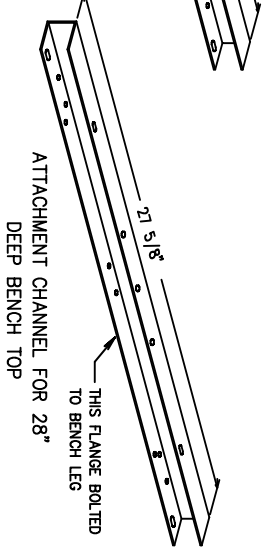
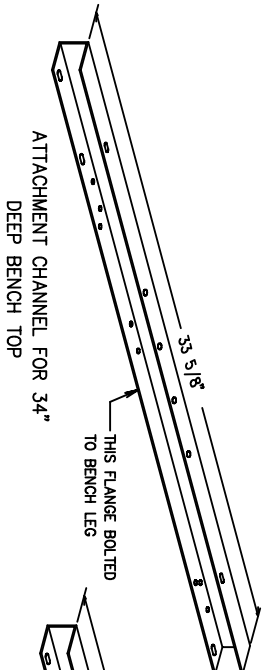
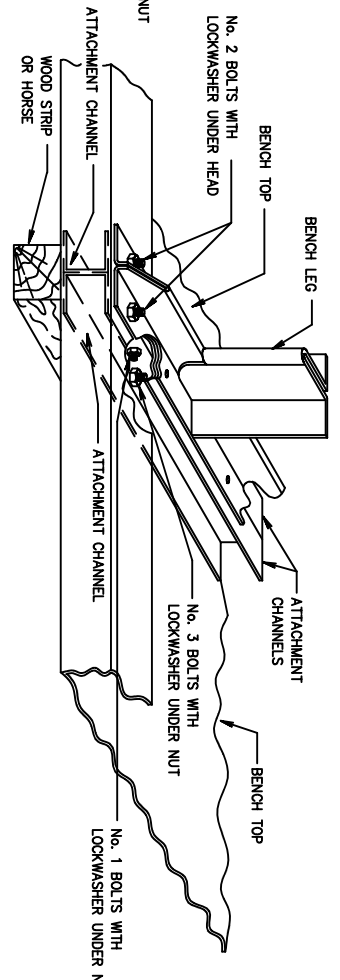
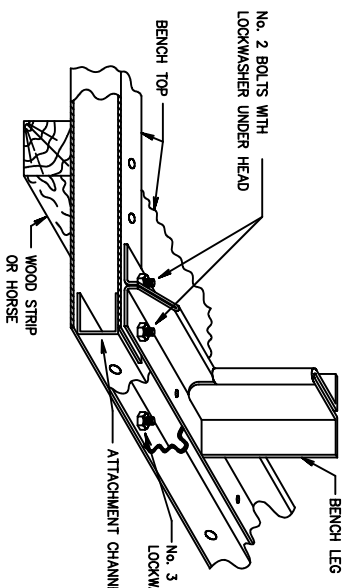
- 2.) BOLT THE RISER SHELF TO THE RISER SHELF SUPPORTS, USING THREE NO.1 BOLTS AT EACH END.
- 3.) BOLT A RISER SUPPORT BRACE TO THE RISER SHELF AND THE RISER SHELF SUPPORT AT EACH END USING NO.1 BOLTS.

BENCH DRAWERS

- 1.) FOLLOW ASSEMBLY INSTRUCTIONS NO. 10645-BA INCLUDED WITH EACH BENCH DRAWER PACKAGE.

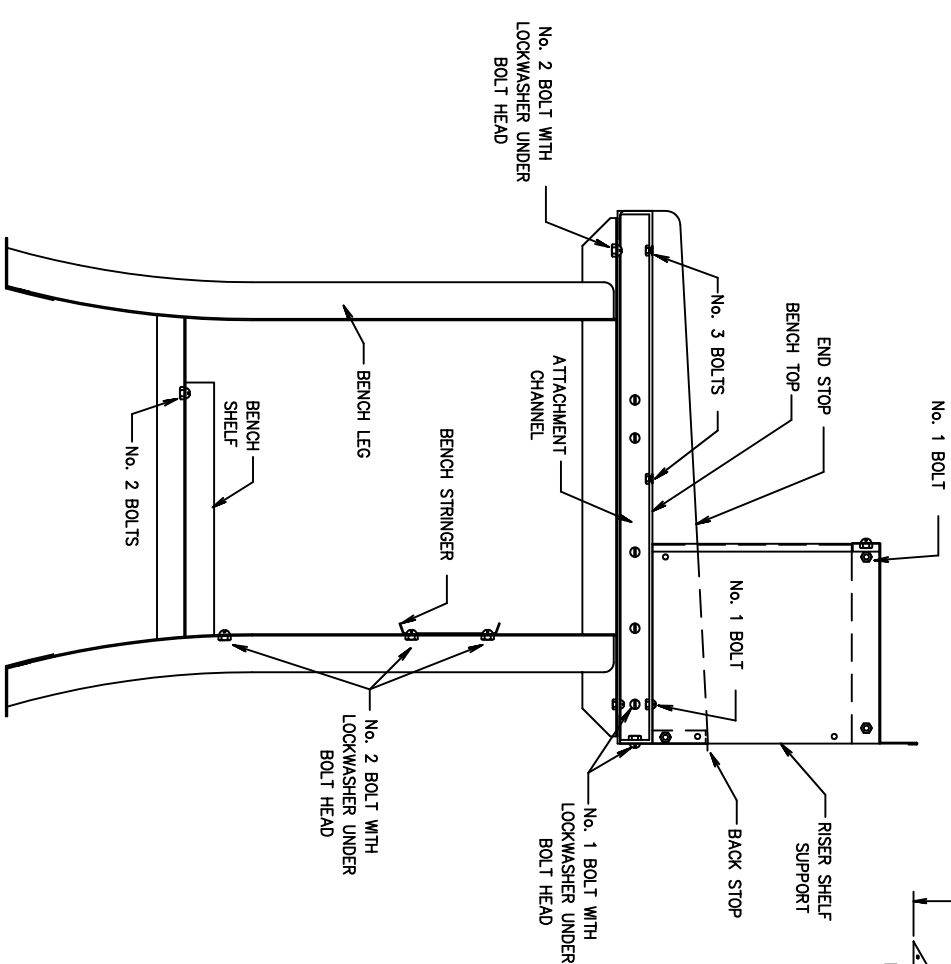


NOTE:
THIS BOLTS THROUGH END STOP, END FLANGE ON BACK STOP, AND RISER SUPPORT



STANDARD STEEL WORKBENCH COMPLETE ASSEMBLY

DETAIL NO. 3 VERTICAL SECTION THROUGH BENCH



CONTINUED ON BACK SIDE OF THIS SHEET

ASSEMBLY INSTRUCTIONS FOR STEEL WORK BENCHES

LYON WORKSPACE PRODUCTS, INC.
P.O. BOX 671 AURORA, ILL. 60507

REV. 11-83

5917-CA