

Wildeck Overhead Safety Gate

General

Safe and efficient movement of palleted material to and from your mezzanine is a requirement, and the Wildeck Overhead Safety Gate delivers every time. Workers on the upper floor can safely access the pallet on the mezzanine while the edge of the mezzanine is completely guarded. When workers are not accessing a pallet, the gate on the operator's side can be pulled down to open the edge side of the gate. Cables and pulleys tie the two gate panels together and keep them in opposite positions. A forklift may then raise another pallet into position from the mezzanine edge.

Designed for smooth and reliable operation, the Overhead Safety Gate occupies a small footprint and protects workers and material from falling off the mezzanine.

Wildeck's Overhead Safety Gate offers significant improvements over other designs.

- Solid, quality construction
- Easy, fast installation
- Functional, reliable design
- Smooth, effortless operation
- Integral kickplate guards material
- Meets industry codes and safety standards

Installation

The method of mounting the gate varies according to the type of floor on which it is being installed. Thru-bolts, lag bolts, or concrete anchors can all be used to install the gate. The gate requires (4) fasteners to secure it to the floor. A variety of different hardware packages are available for this gate. However, certain floor types may require the installer to locate suitable mounting hardware.

CAUTION:

*The gate will only be as strong as the mounting hardware used. Code requirements dictate that the rail withstand substantial lateral forces. **BE CERTAIN THAT ANCHORING IS SOLID.***

Installation, continued

IMPORTANT: Before beginning installation, check that you have all the following parts:

MAJOR COMPONENTS:

<u>Quantity</u>	<u>Description</u>
12	Rollers
2	Right-hand rail post assemblies
2	Left-hand rail post assemblies
2	Side angles
2	Front/back angles
2	Right-hand pulley weldments
2	Left-hand pulley weldments
4	Rail sections
4	Bumper angles
4	Pulleys
2	Kickplate sections
2	Straight track sections
2	Spring assemblies
1	Front gate assembly (with handle and cables)
1	Rear gate assembly
1	Nameplate Sign
1	Paint (yellow)
1	Instruction Manual

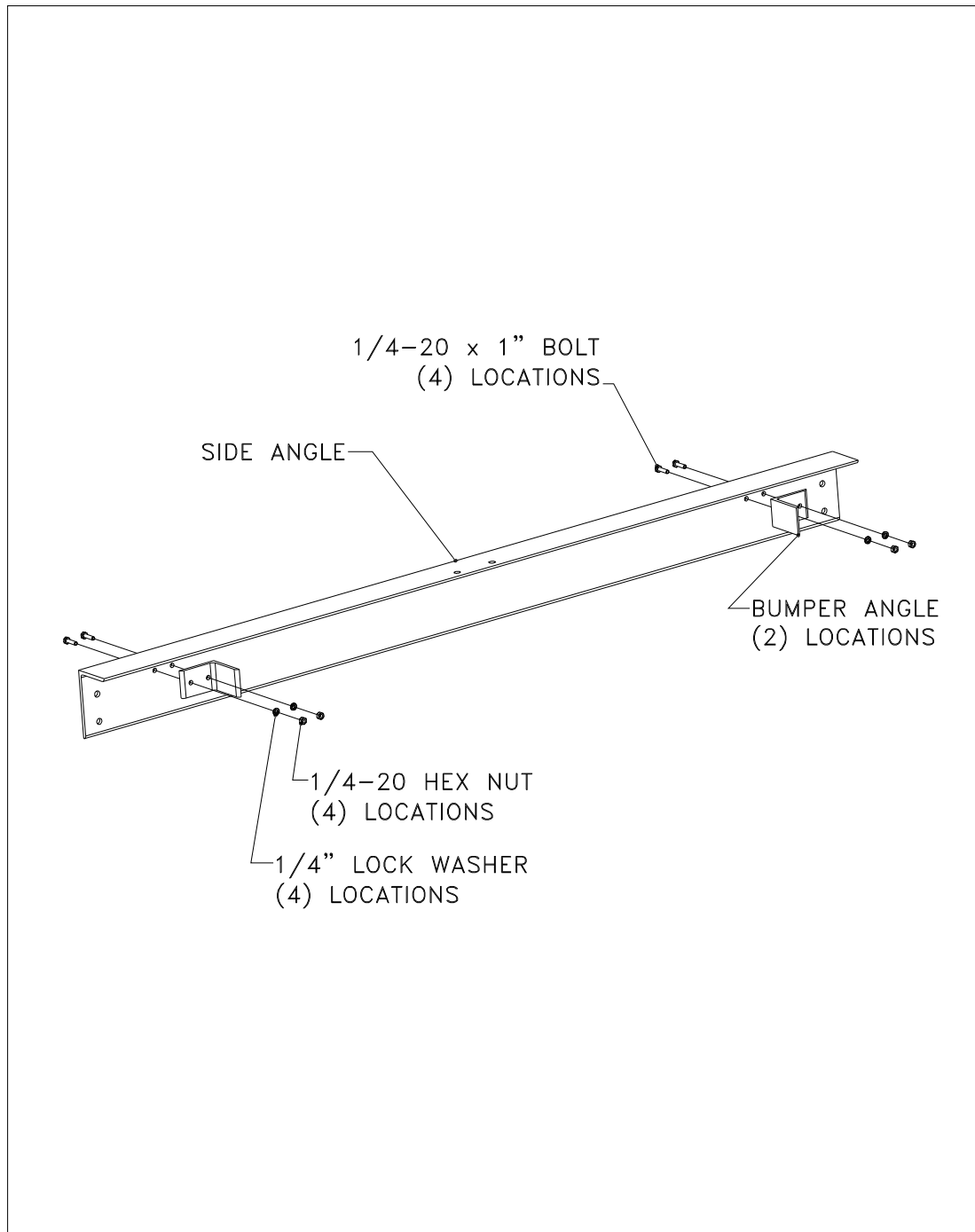
HARDWARE PACKAGE

<u>Quantity</u>	<u>Description</u>	<u>Used On</u>
8	Bolt, 1/4-20 x 1"	Bumper angles
8	1/4" lock washer	Bumper angles
16	1/4-20 hex nut	Bumper angles, u-bolts
16	Bolt, 3/8-16 x 3 1/2"	Rail post
12	Bolt, 3/8-16 x 1"	Spring assembly, pulley angles
28	3/8" lock washer	Pulley, spring assembly, rail post
28	3/8-16 hex nut	Pulley, spring assembly, rail post
4	Shoulder Bolt, 1/2 x 5/8	Pulley
8	1/4-20 x 1/4" set screws	Side rail
8	Pop Rivets, 3/16" x .251-.375	Track
4	Pulleys	Pulley angles
4	3/8-16 Nylock hex nut	Pulleys
3	1/8" wire rope clamps	Cable assembly

Installation, continued

Step 1

Attach the (4) bumper angles to the (2) side angles using (8) 1/4-20x1" bolts, lock washers, and hex nuts.

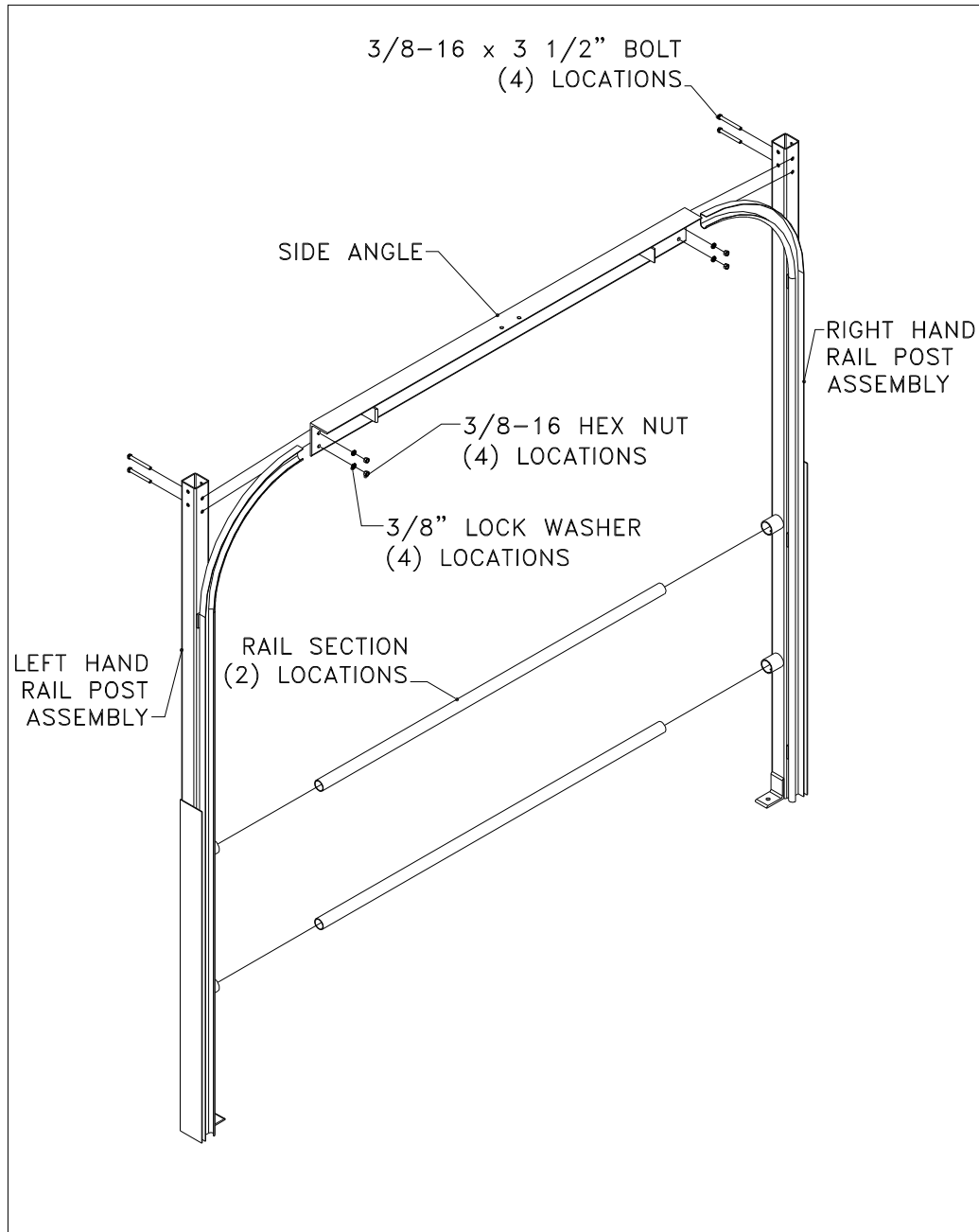


Installation, continued

Step 2

Align (2) corner posts, (2) side rails, and (1) side angle to be assembled. Slide the rails into the provided rail attachments. **Do not fasten these now!** They will be fastened once the system is square. Bolt the side angle to the (2) side posts using (4) 3/8"-16 x 3 1/2" bolts, lock washers, and hex nuts.

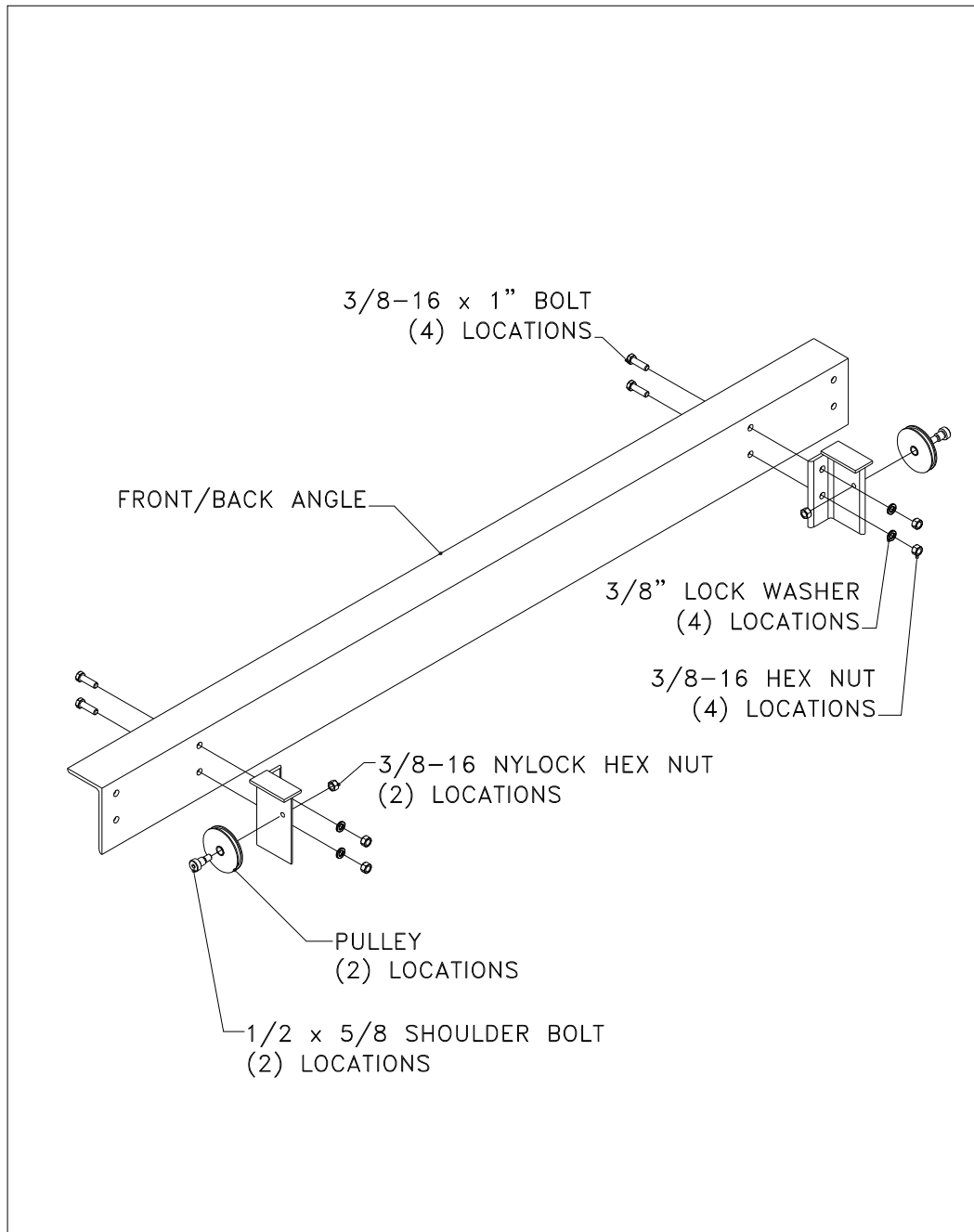
Repeat for the other side.



Installation, continued

Step 3

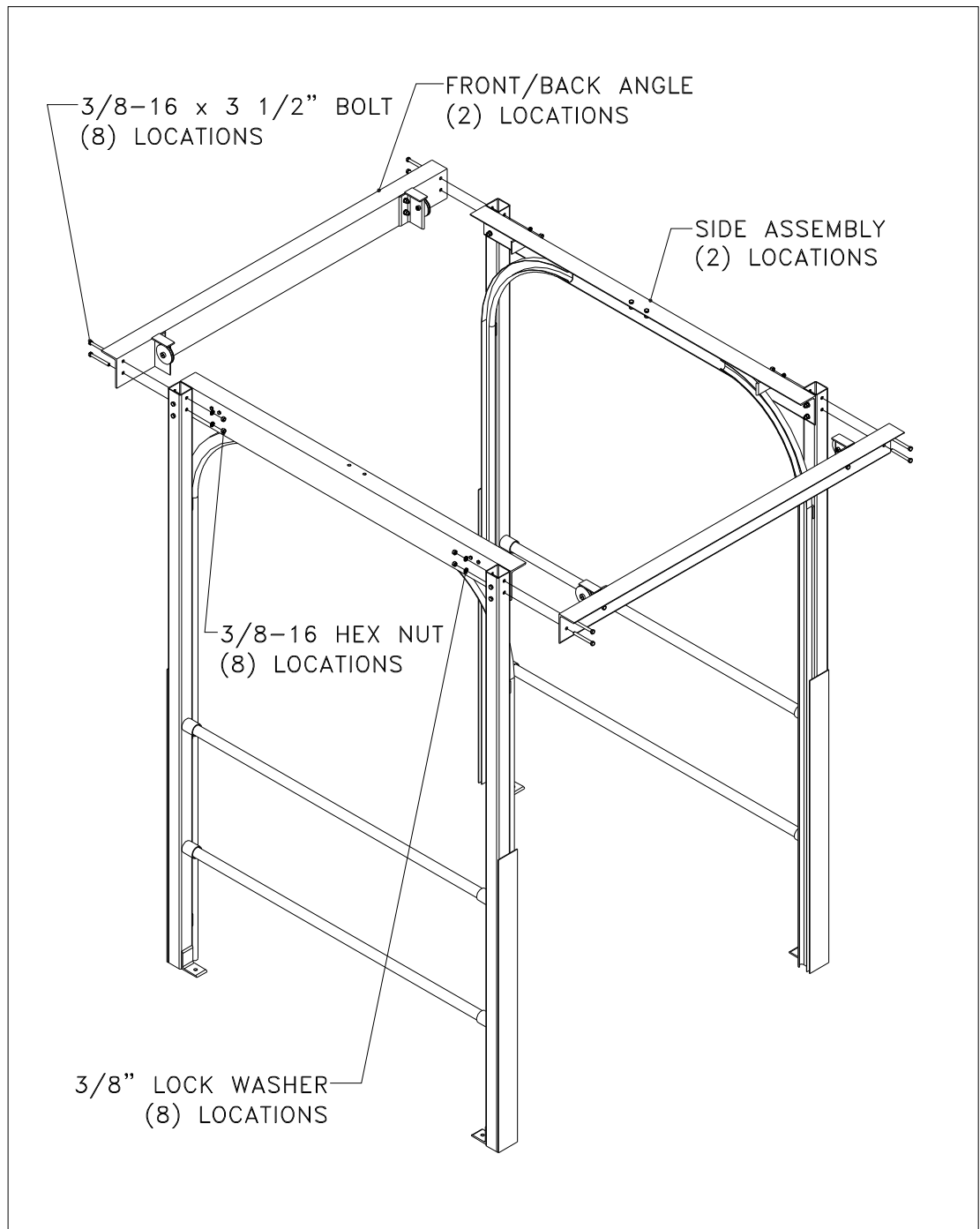
Fasten the pulleys to the pulley angles using the (4) 1/2 x 5/8 shoulder bolts and 3/8"-16 nylock hex nuts. Bolt the (2) pulley angles to the (2) front/back angles using (8) 3/8-16x1" bolts, lock washers, and hex nuts.



Installation, continued

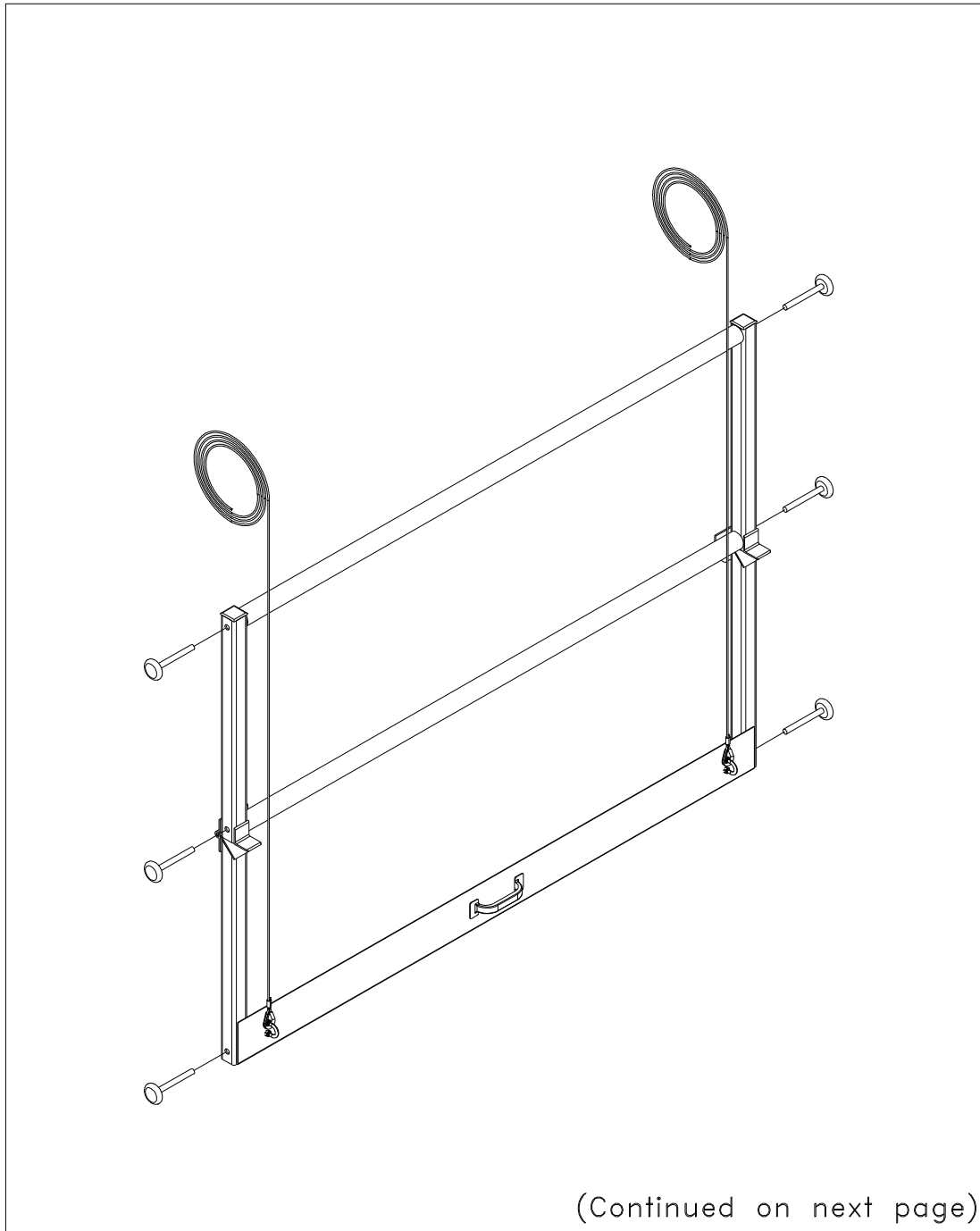
Step 4

Tip the (2) side panels into an upright position. While holding both sides, bolt the front/back angles to the (2) side panels using (8) 3/8-16x3 1/2" bolts, lock washers, and hex nuts.

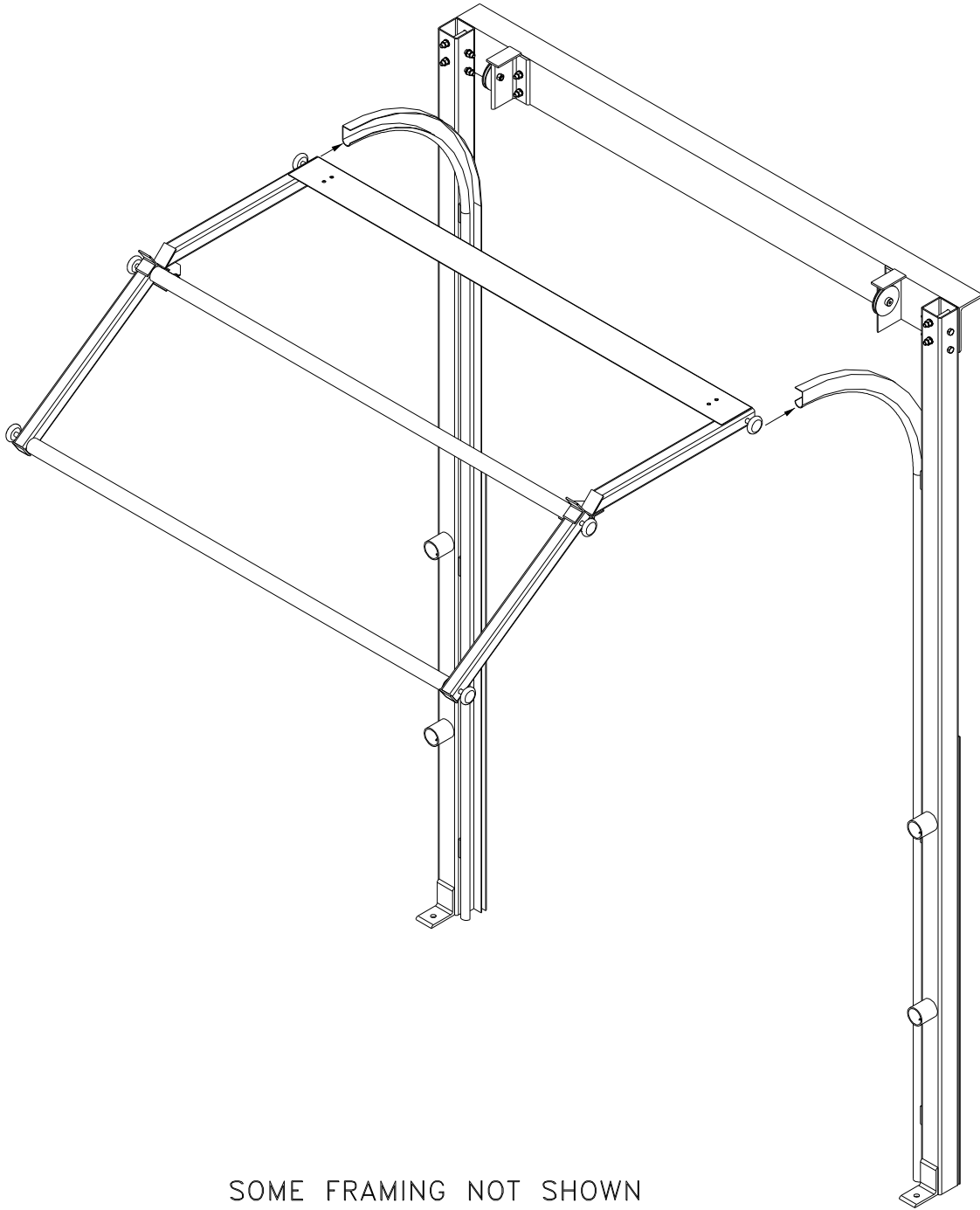


Step 5

Insert the (12) rollers into the predrilled holes of both gate assemblies. Insert the gate at the top of the track attached to the side panels. Make sure the bottom of the gate is inserted first! Rollers inserted into the kickplate section of the assembly will be inserted into the tracks first. The gate with the wire rope and handle attached to it needs to be on the operator's side.



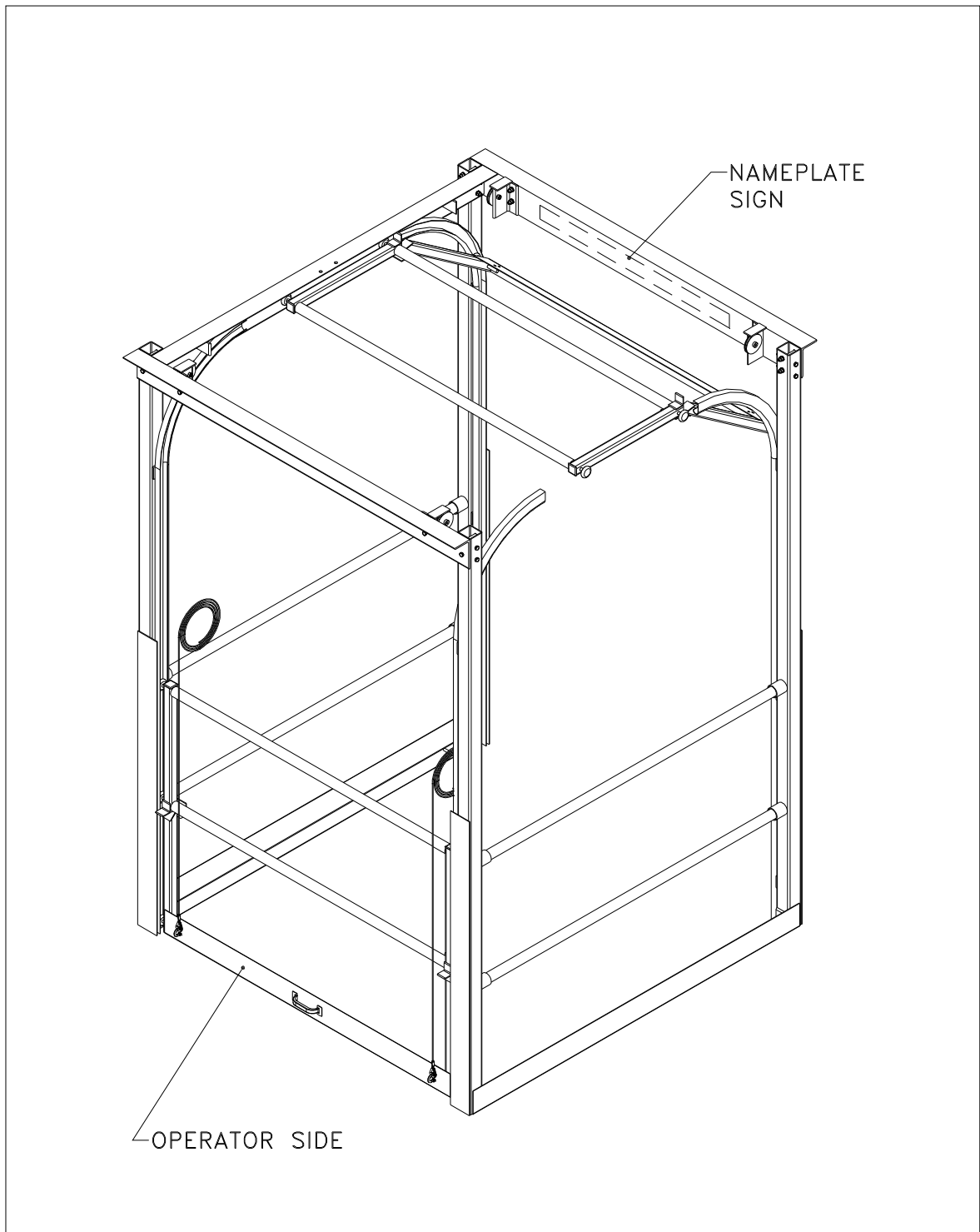
INSERT ROLLERS FROM THE
KICKPLATE END FIRST.



SOME FRAMING NOT SHOWN
FOR CLARITY

Step 6

Attach the nameplate sign to the Front Angle on the non-operator side of the gate.

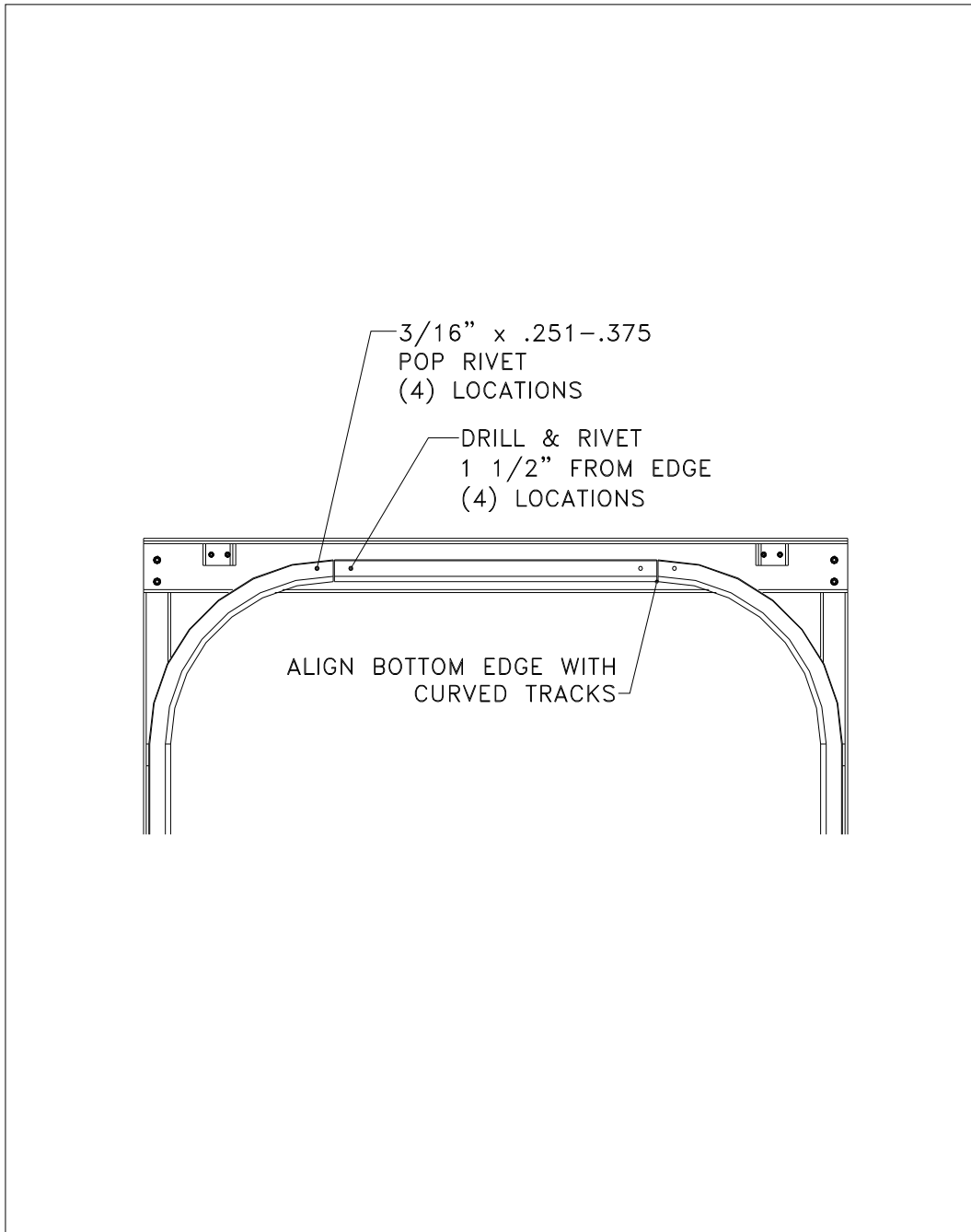


Installation, continued

Step 7

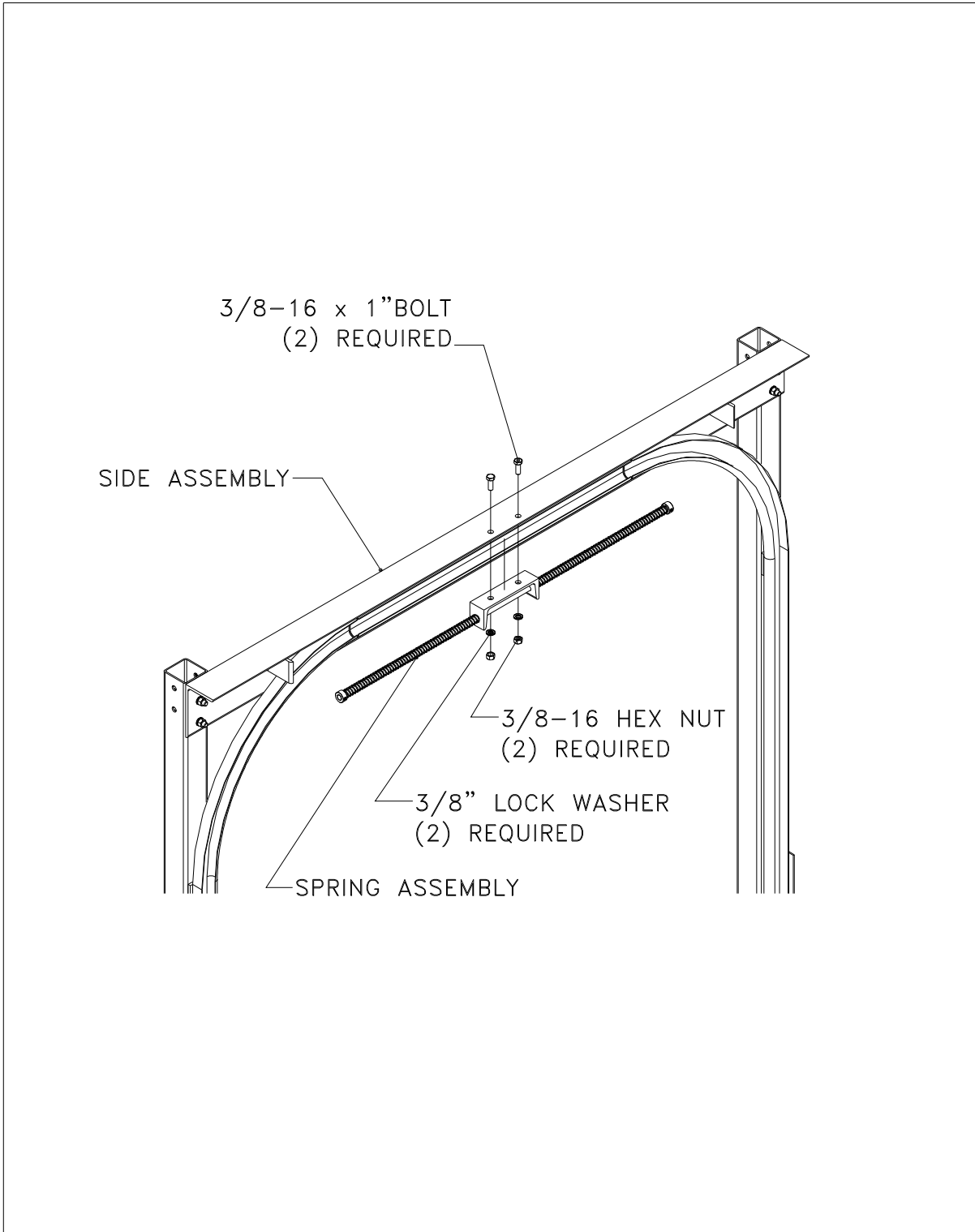
Align the two sides of the straight track with the curved track. Clamp the straight track to the side angle to hold it in place. Drill $3/16$ " dia. holes through track and side angle. Fasten the track using the $3/16$ " x .251-.375 pop rivets.

Repeat for the opposite side of the gate.



Step 8

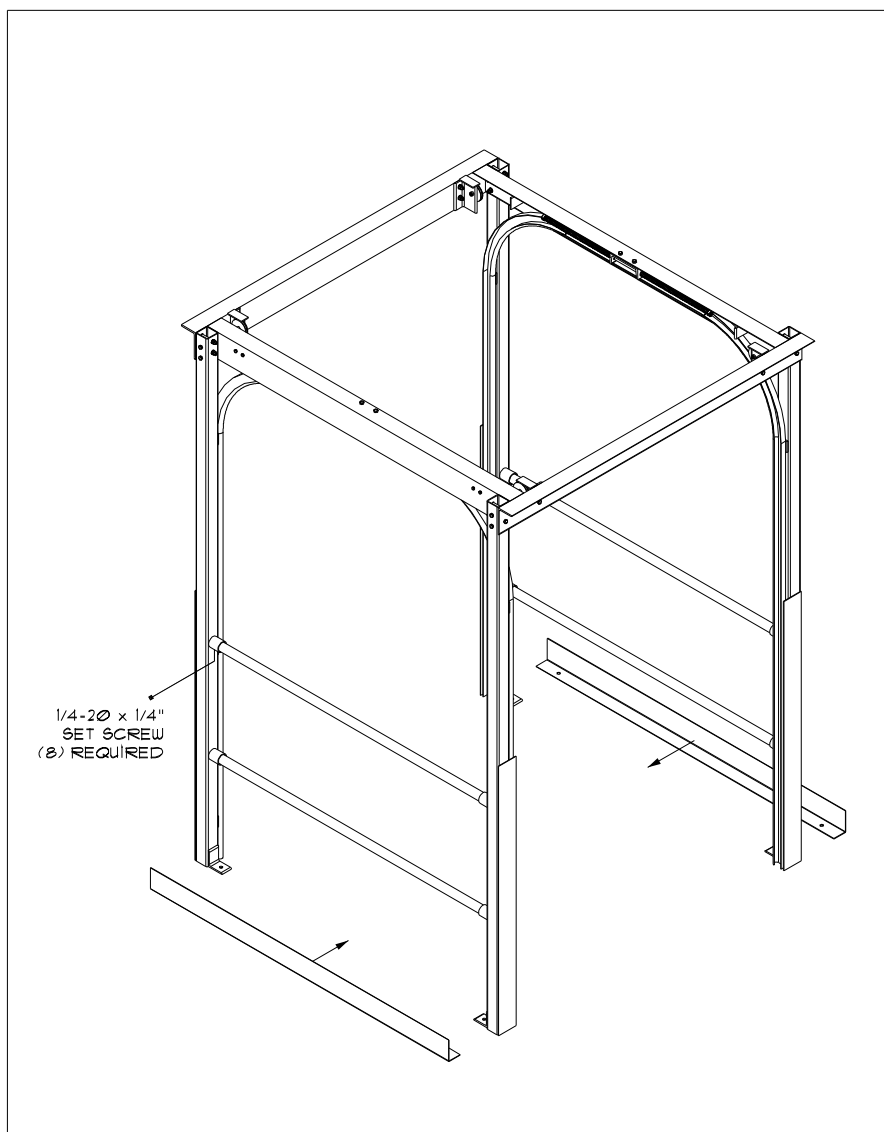
Attach the spring assembly to the side angles using (4) 3/8-16 x 1" bolts, lock washers, and hex nuts.



Step 9

Set the gate in place on top of the kickplate. Be sure that gate is both plumb and square. Square the gate by measuring the distances in between (2) opposite corners and ensure that they are the same. Once square, fasten the unit to the floor through the kickplate. Use the (8) 1/4-20 X 1/4" set screws to fasten the rails to the corner assemblies.

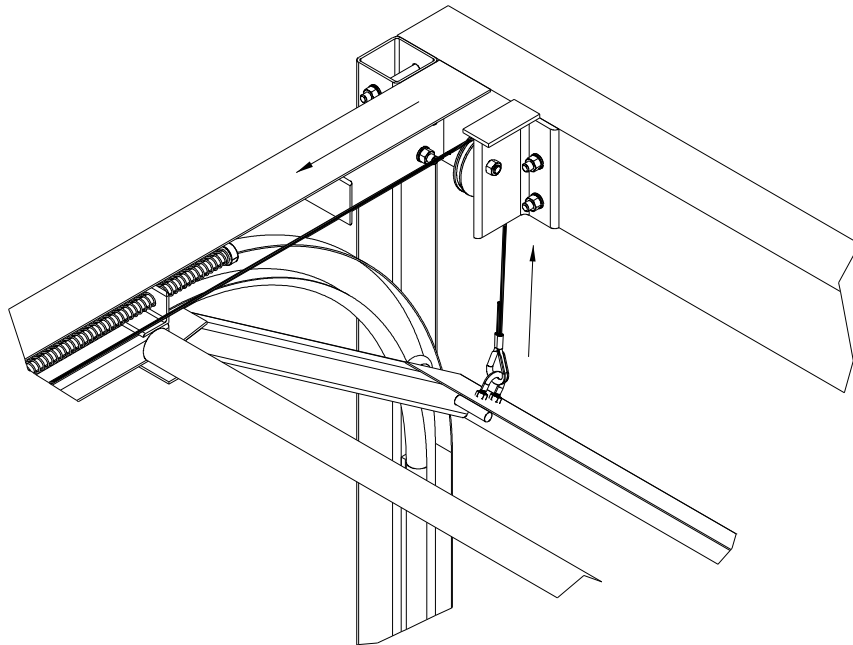
CAUTION: *The gate will only be as strong as the mounting hardware used. Code requirements dictate that the rail withstand substantial lateral forces. **BE CERTAIN THAT ANCHORING IS SOLID.***

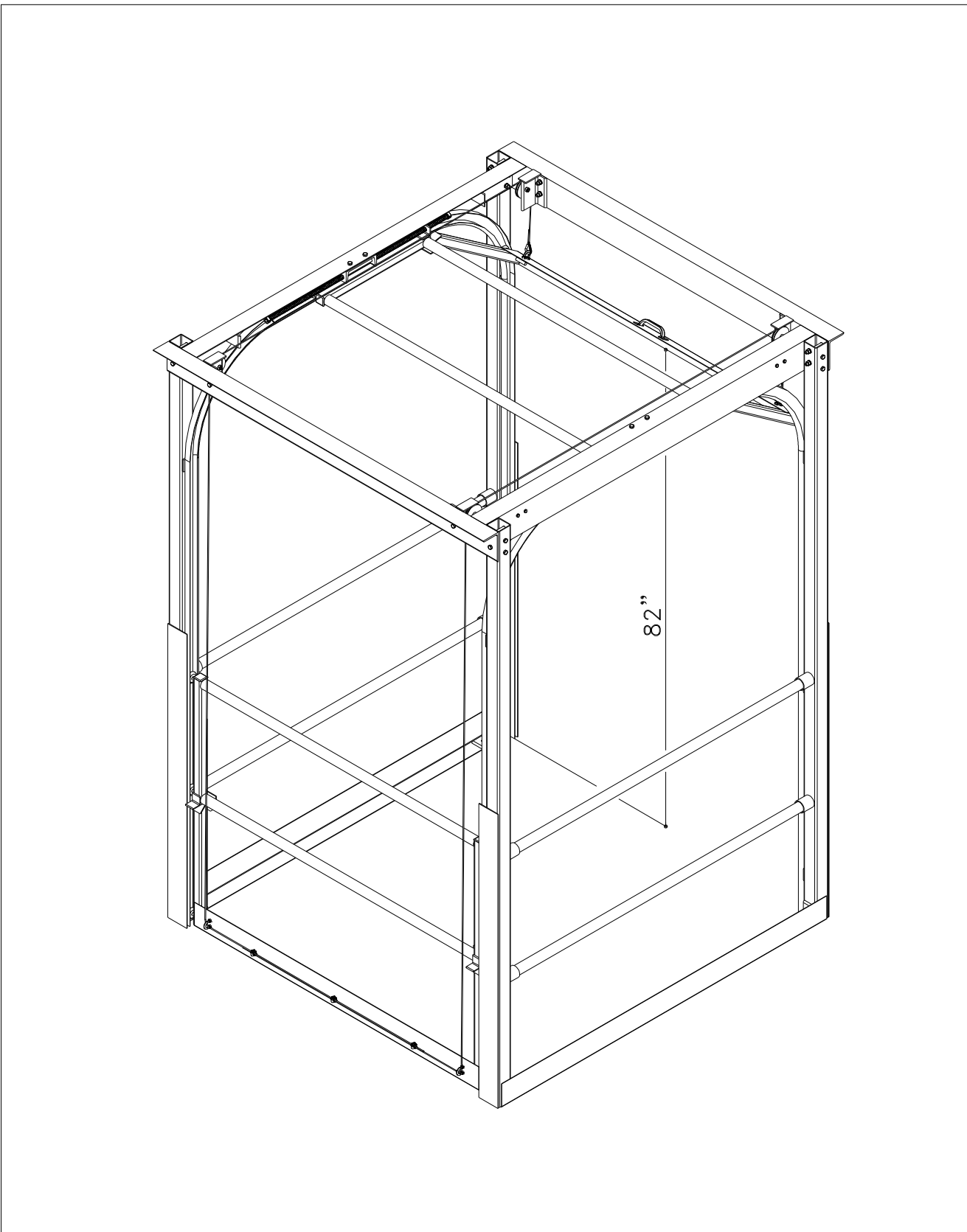


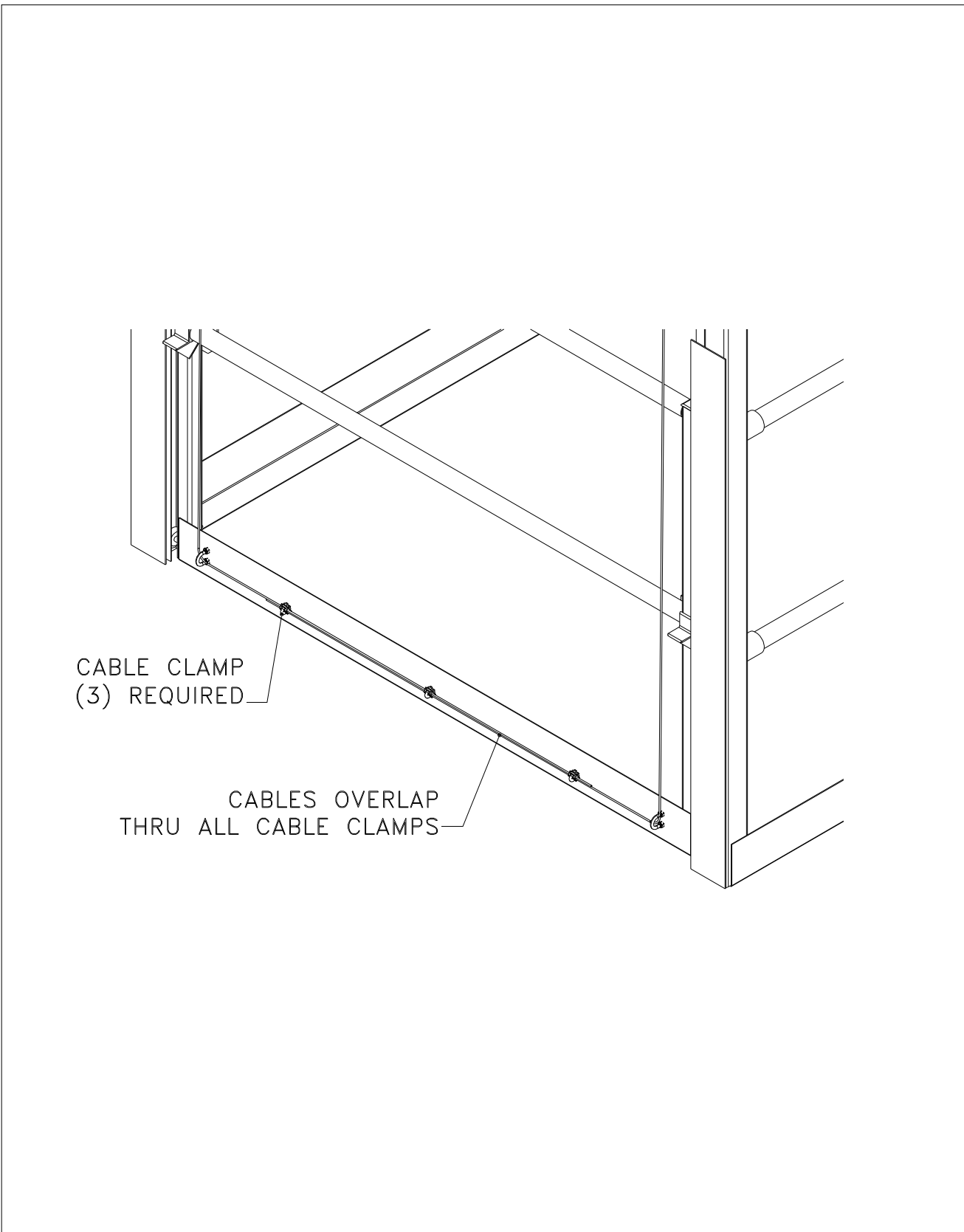
Step10

Raise the front gate panel (operator's side) to a point where there is 82" clear height underneath the bottom of the gate panel. Clamp the gate panel in place. Make sure the back gate panel is placed firmly on the floor. Run the wire rope from the front gate panel over the top of the (4) pulleys and thread them through the u-bolts on the back gate panel. Following the diagram, and ensuring that the panels stay in place, fasten the (3) cable clamps to the cable.

RUN WIRE ROPE OVER USER-SIDE
PULLEY AND TOWARD THE EDGE-SIDE PULLEY.
FEED WIRE ROPE OVER EDGE-SIDE PULLEY
AND DOWN THRU U-BOLT ON EDGE-SIDE GATE.







Maintenance

As with all safety equipment, this gate should be inspected periodically for proper operation. Frequency of maintenance will depend on gate usage. Monthly, quarterly, or semi-annually are typical time frames for scheduled inspections.

Maintenance Procedure

1. Check for smooth operation; remove debris from bottom of track if needed.
2. Inspect cables. Replace if worn or frayed. Tighten if loose. Refer to previous sections for procedures.
3. Lubricate gate.
 - A few drops of oil can be applied to each pulley for smoother operation.