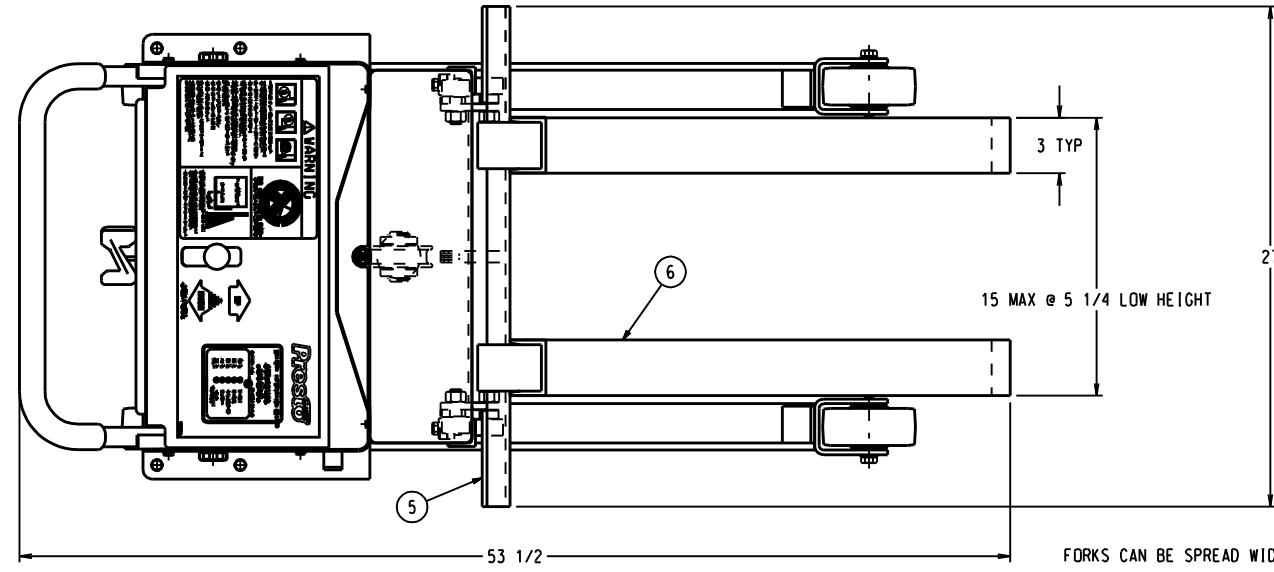
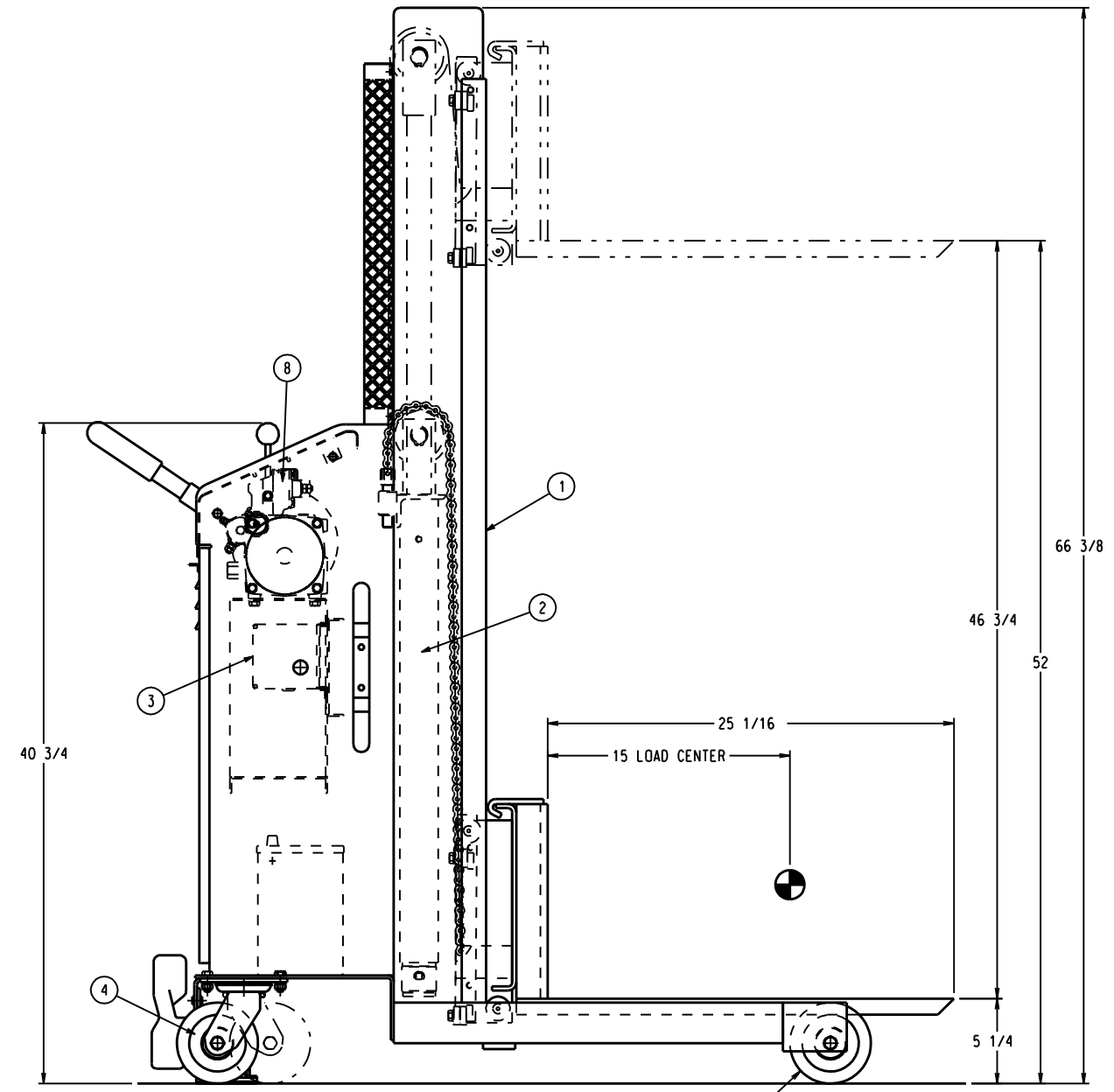
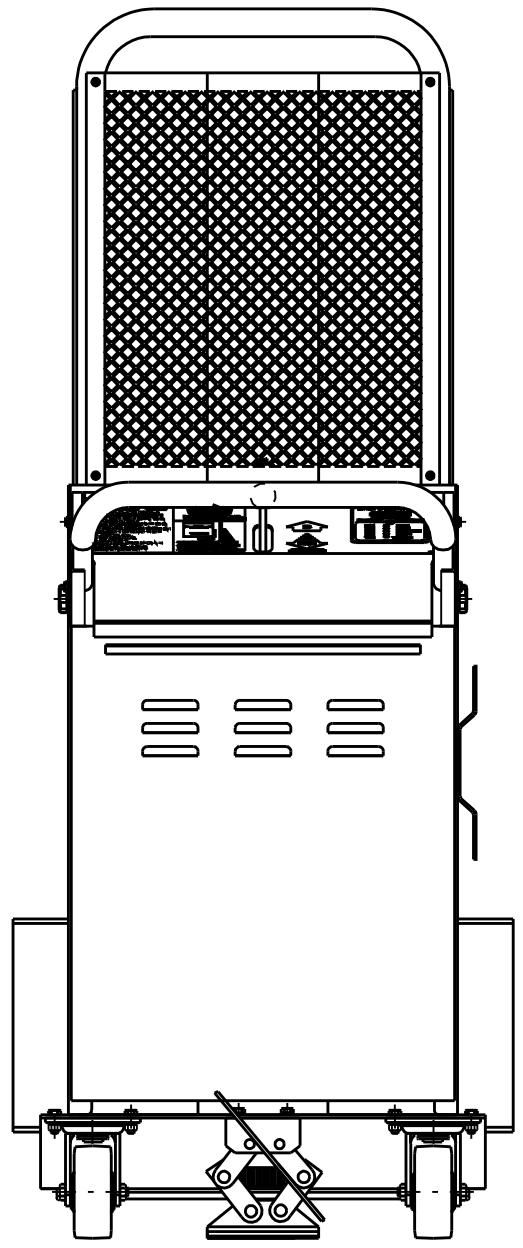


REV	DESCRIPTION	DATE	APPROVED	MF NO.
A	ITEM 8 WAS 6001224	05-19-06	SMS	P1019



FORKS CAN BE SPREAD WIDER UP TO 26 O.D. @ A LOW HEIGHT OF 6 1/4"



GENERAL DESCRIPTION

MODEL: B652
 CAPACITY: 1000 LBS. @ 15" L.C.
 RISE: 46 3/4 IN @ 9 SEC
 POWER: 12VDC
 CONTROLS: HANDVALVE
 FINISH: PRESTO ORANGE & BLACK MACHINERY ENAMEL

ITEM	QTY	DESCRIPTION	PART NO.
10		HY PLUMBING SCHEMATIC	A 80001162
9		EL WIRING DIAG 12 DC BTRY	B 80000424
8	1.0	EA HY PU MONARC	C 80002938
7		REF LD KIT LOC DIAG STACKER	C 80001114
6	2.0	EA SA FORK WELDMENT C119-1 27" W/ BEVEL	B 80001103
5	1.0	EA SA BACKPLATE ASSY 1000# B600 SLOT	C 80001141
4	1.0	EA ACP PORT KIT WP E/B B600	C 80000856
3	1.0	EA EL ARR B600-1500	C 80000855
2	1.0	EA HY ARR I B652 12VDC	D 80000851
1	1.0	EA SA FRAME AND CABINET WELDMENT B652	D 80000850

3RD ANGLE PROJECTION
 UNLESS OTHERWISE SPECIFIED, DIM ARE IN INCHES
 USE OF PROPRIETARY INFORMATION LIMITED TO WRITTEN AGREEMENT

PRESTO LIFTS WORLDWIDE MATERIAL HANDLING AND ERGONOMIC SOLUTIONS
 21 Park Street, Attitash, NH 02403

SCALE: 3/16

REFERENCE: 5001141

MODEL: B652 TITLE: TL STKR B652 STANDARD

DATE: 1-21-05

SCALE: 3/16

DATE: 1-21-05

SCALE: 3/16

DATE: 1-21-05

THIS DRAWING MUST BE AT REVISION: 'A'