

Clear-Flex II[®] Strip Door Installation Instructions Using the Maximus System[™] Hardware

Diagram 1
Under Header (Lintel) Position

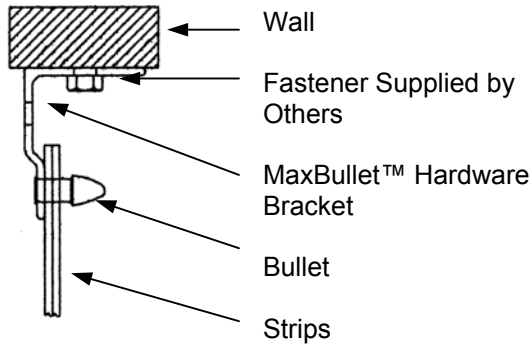


Diagram 2
Wall (Header) Position

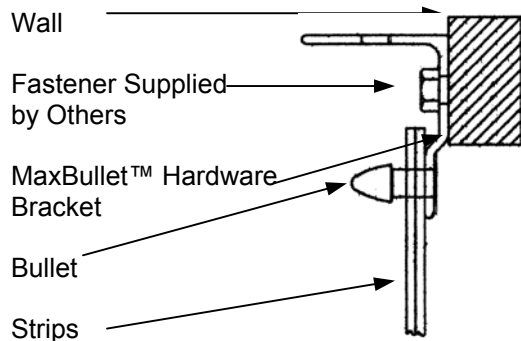
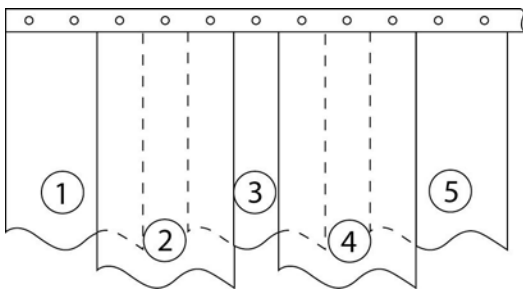


Diagram 3
Front View Strip Spacing



TOOLS NEEDED

- Pen or Pencil to Mark Drill Holes
- Drill
- 5/16" Diameter Fasteners
- Step Stool or Ladder
- Utility Knife to Cut Strips



IMPORTANT

Prior to installation, **unroll all door strips** and place them on a clean, flat surface in a warm atmosphere for a minimum of twenty-four (24) hours. This will allow the strips to return to their original form.

1. Mount the MaxBullet[™] hardware bracket in either the under header or wall position shown in Diagrams 1 and 2 using appropriate fasteners supplied by others (recommended 5/16" diameter).

2. Press the door strips onto the "bullets" of the hardware bracket making certain that the concave sides are facing each other (Diagram 4). Attach strip numbers 1 and 3 (see Diagram 3) with concave side toward you, leaving desired spacing between strips as indicated by the diagram on reverse side of this sheet.

Diagram 4



3. Attach strip number 2 with concave side away from you over strip numbers 1 and 3 (Diagram 3).
4. Attach all of the remaining door strips in the same manner as in Steps 2 and 3 making certain that the concave sides face each other (Diagram 4).

5. Once all of the door strips have been attached, the strips can be trimmed to leave 1/4" of clearance from the floor surface. Your PVC door strips may be trimmed by using a common utility knife to score and then be torn by hand. **The door strips need to hang for 24 to 48 hours before final trim to allow for proper alignment.**

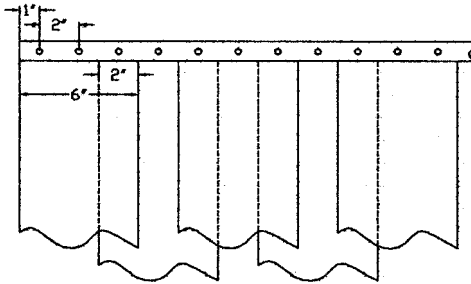
* NSF certification applies when hardware is installed with approved low-temp PVC strip material.

STRIP PLACEMENT GUIDE

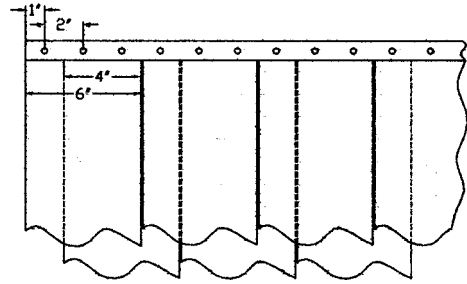
PARTIAL OVERLAP

FULL OVERLAP

6" WIDE MATERIAL

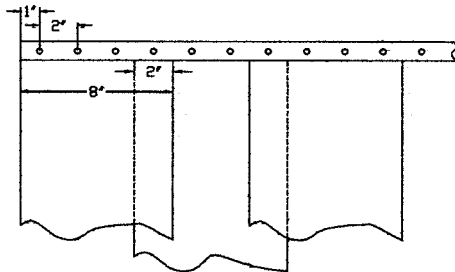


PARTIAL OVERLAP 66%

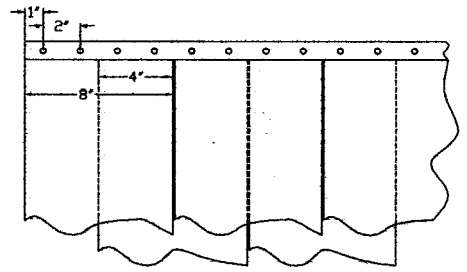


FULL OVERLAP 100%

8" WIDE MATERIAL

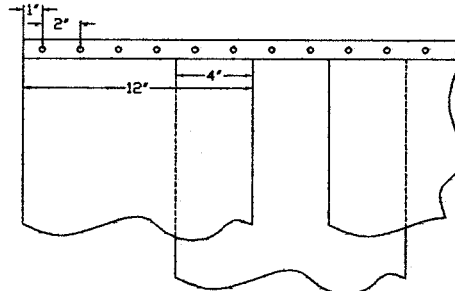


PARTIAL OVERLAP 50%

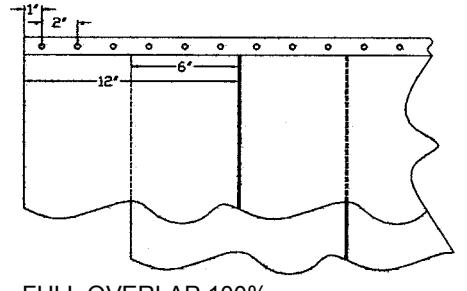


FULL OVERLAP 100%

12" WIDE MATERIAL

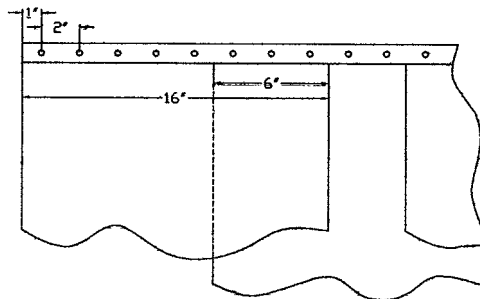


PARTIAL OVERLAP 66% (4")
PARTIAL OVERLAP 33% (2")

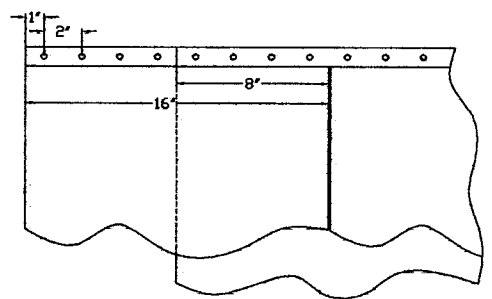


FULL OVERLAP 100%

16" WIDE MATERIAL



PARTIAL OVERLAP 75% (6")
PARTIAL OVERLAP 50% (4")
PARTIAL OVERLAP 25% (2")



FULL OVERLAP 100%