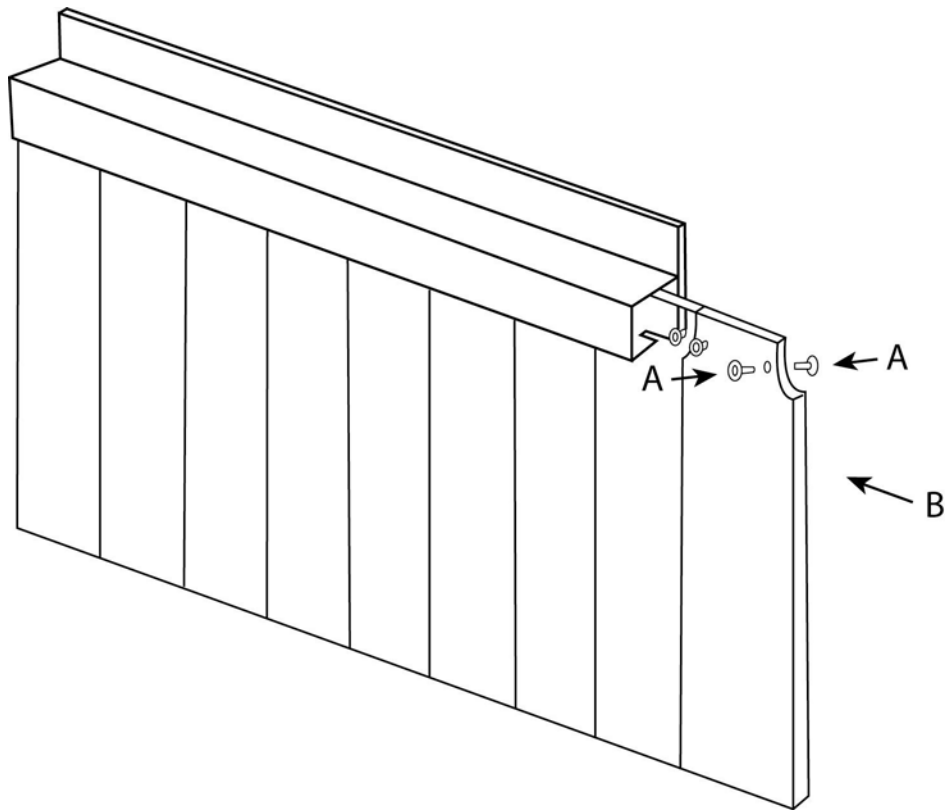




Replacement Strips Installation Guide

1. Remove strips to be replaced
2. Insert interlocking screws into pre-punched holes (A)
3. Slide strips into mounting bar (B)



FOR ANY QUESTIONS OR COMMENTS, PLEASE CONTACT AN ALECO REPRESENTATIVE
2720 E. Avalon Ave. Muscle Shoals, AL 35661 • Phone (256) 248-2402 or toll free 1-800-633-3120
Fax: 1-800-750-9616 • email: info@aleco.com • web: www.aleco.com

P/N 477249
(Rev 2/11/05)