

ADVANCE

11160/ADV
BUYLINE 3001

DOCK LIFTS

Every Dock Needs A Lift



Maximum
VALUE through
Superior
SERVICE



WHY USE A DOCK LIFT

Quite simply, a dock lift is the only loading dock equipment that can accommodate any type of vehicle that arrives at a shipping or receiving area to be loaded or unloaded. When there is no loading dock or the dock is too high or too low, you need a dock lift.



A dock lift replaces dangerous concrete ramps.



A dock lift replaces expensive truck well recesses.



A dock lift accommodates all vehicles at a raised concrete dock and provides dock to ground access.



A dock lift is the loading dock at a ground level building.



Semi Trailer Trucks



City Delivery Trucks



High Cube Vans



Pick-up Trucks Step Vans



Panel Trucks

With its 58-inch travel range, a dock lift can service all these trucks whose bed heights vary from 21 inches to 58 inches. Dock levelers or ramps can't handle this wide range of vehicles.

WHO USES DOCK LIFTS



Dock lifts are used at just about any loading dock situation you can imagine. They're installed outside the building, inside the building, in basements and even in upper floors. A small list of users include: retail stores, hospitals, schools, postal facilities, office buildings, manufacturing plants, warehouses and the list goes on.

WHY USE AN ADVANCE DOCK LIFT

As the leading manufacturer of dock lifts, Advance provides the best value for many reasons.

FEATURES – More exclusive product features than anyone else.

RELIABILITY – Superior design and construction provide an up-time record better than 99%.

SAFETY – More operator safety features than anyone else.

CHOICES – Wider variety of types and models to meet your requirements.

ECONOMY – Competitive pricing.

SERVICE – Easy product to service and quick response to your needs.

DISTRIBUTORS – Nationwide network of distributor sales and service centers to meet your needs.

TYPES OF DOCK LIFTS

Pit mounted dock lifts are the most economical and commonly used dock lifts. However, where pit mounted models are not an option, Advance offers top of ground and portable dock lifts.

PIT MOUNTED DOCK LIFTS

Series T2000, 3000, and 4000 pit mounted dock lifts are installed in a concrete pit in the ground or a pit on top of a raised concrete dock. They can also be installed on top of the ground, but they require a long approach ramp. Platform sizes range from 6' x 8' to 8' x 12'. Capacities range from 5000 to 20,000 lbs. Model T50608 is the number one dock lift in the country. Model 2400 is a specialized dock lift designed to fit into most dock leveler pits and accommodate a wider range of vehicles than a dock leveler.



TOP OF GROUND DOCK LIFTS



Series 6000 top of ground dock lifts are installed on top of a concrete pad. These models can't be installed in pits because their low lowered height does not permit the addition of the 8" bevel toe guards required by OSHA for pit mounted lifts. Platform sizes range from 6' x 8' to 6' x 12'. Capacities range from 5000 to 12,000 lbs. Models 6100 and 6150 have hinged approach ramps with built in wheel chocks to prevent loads from rolling off the raised platform while models 6200 and 6300 have fixed approach ramps. Model 6150 has its power unit built right onto the platform while the other models have remote power units.

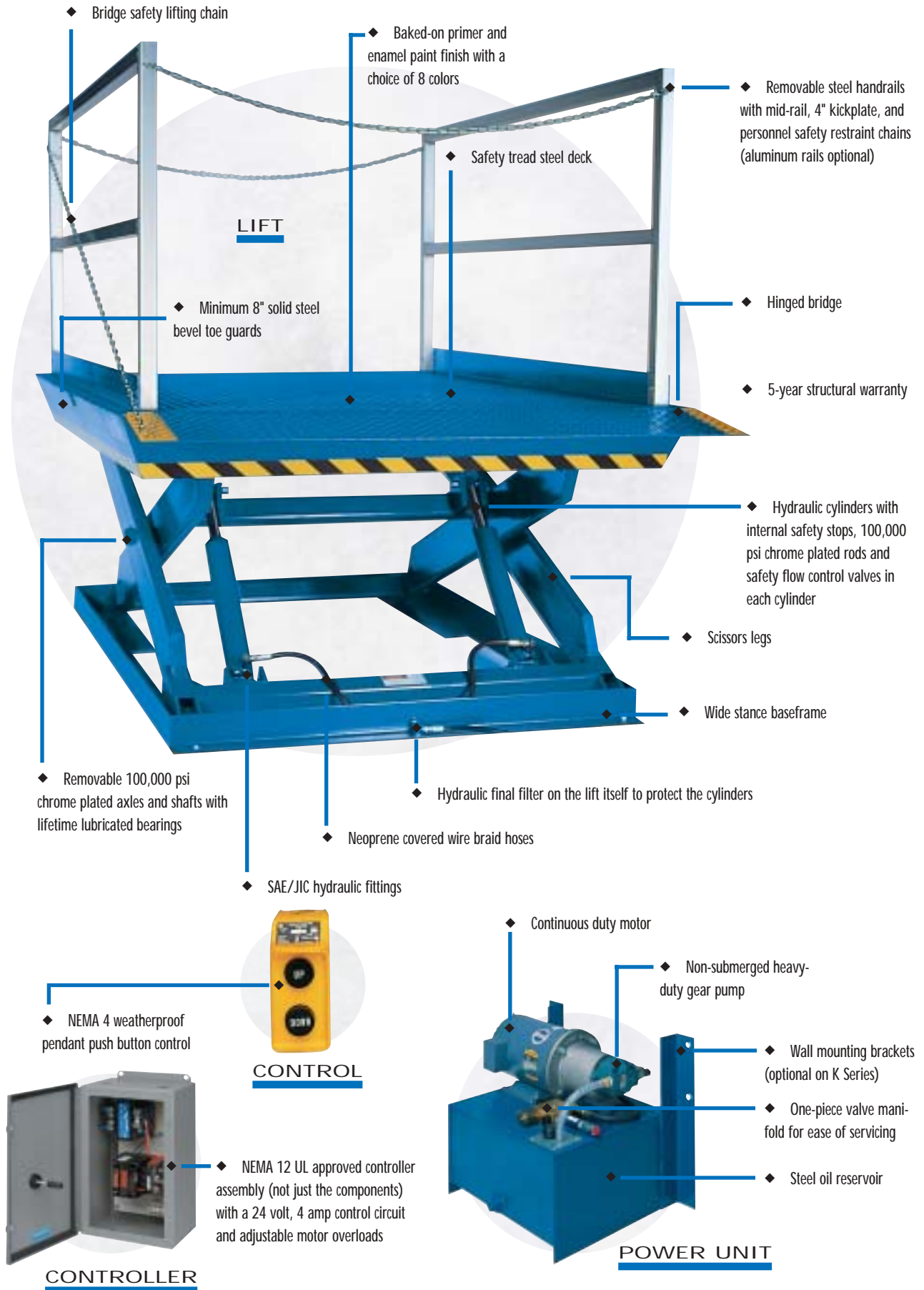
PORTABLE DOCK LIFTS

Series 1000 portable dock lifts can be moved to various locations on a smooth concrete surface. Like the 6000 series, they can't be installed in pits. Platform sizes are 4' x 7' and 6' x 6'. Capacities are 4000 and 5000 lbs. Model 1035 is designed to handle pallet loads and models 1045 and 1055 are designed to handle cart loads. All units have wheel chock ramps and built in power units.



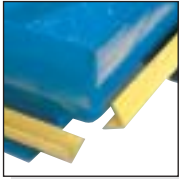
See page 8 to select a dock lift for your requirements.

ANATOMY OF A PIT MOUNTED DOCK LIFT



OPTIONAL ACCESSORIES

Advance offers a wide variety of optional accessories to help tailor a lift to your specific requirements. In addition to special bridge sizes, approach ramps for pit mounted lift models installed on top of the ground, warning lights and bells, different power voltages and oil immersion heaters, Advance also offers the following:



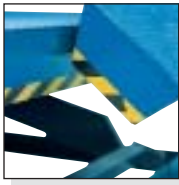
Electric Toe Guards

Electric Toe Guards— An optional safety device for pit mounted lifts, beyond the federally

required 8" bevel toe guards, which stops the platform's downward travel when it encounters an obstacle.

Wheel Chock— A device to prevent loads from rolling off the platform in any but the fully lowered position.

Chock ramps are standard on models 1035, 1045, 1055, 6100, and 6150.



Wheel Chock

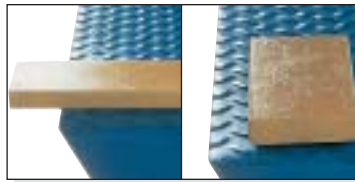


Colors— Eight standard colors available at no extra charge.

Limit Switch— This adjustable limit switch stops the lift's upward travel at a preset level. To avoid electric lines in the pit, it should only be used where the platform must stop at the same elevation every time.



Limit Switch



Night Locks

Night Locks— These non-load supporting bars on the four platform corners secure the platform at dock level.

Quick Disconnect— The push button control can be plugged into a receptacle box on the lift. Other variations are available.



Quick Disconnect Push Button



Prewired Power Unit

Pre-Wired Power Unit— Optional on pit mounted models due to installation considerations, but standard on all portable and top of ground models.



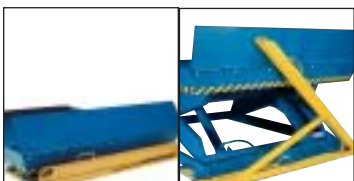
Controls

Controls— Weatherproof pendant push button (standard), wall mount push button, key operated

up-down selector switch, up-down push button with key lockout.

AUTOMATIC BRIDGE ACTIVATORS

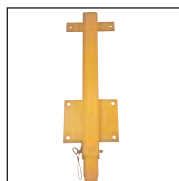
To avoid potential injuries, the bridge activator eliminates repeated handling of the hinged bridge. Simply adjust the height of the activator to 3" below the truck bed and lean the bridge against the activator. As the lift raises or lowers, the bridge cams over the activator bar onto or off of the truck bed.



Item ABA-GS3

ITEM ABA-GS3— For use at ground level installations

ITEM ABA-DS1— For use at loading docks 30" and higher with the dock lift mounted on top of the dock surface



Item ABA-DS1

ITEM ABA-DR2— For use on loading docks 30" and higher with the dock lift recessed into a pit on top of the dock



Item ABA-DR2

PORTABLE DOCK LIFTS



1035



1045 & 1055

A. MODEL NUMBER	B. LIFTING CAPACITY (LBS.)	C. AXLE CAPACITY RAISED BRIDGE END (LBS.)	D. AXLE CAPACITY RAISED RAMP END (LBS.)	E. PLATFORM SIZE (FT.)	F. OVERALL SIZE WITH RAMP (FT.)	G. LOWERED HEIGHT (IN.)	H. TRAVEL (IN.)	I. RAISED HEIGHT (IN.)	J. SPEED (F.P.M.)	K. HORSEPOWER (H.P.)	L. BRIDGE SIZE (IN.)	M. RAMP SIZE (IN.)	N. APPROX. SHIPPING WEIGHT (LBS.)
1035	4000	2000	1000	4 x 7	5-1/2 x 9	4-1/2	53-1/2	58	6	2	18 x 44	24 x 44	2150
1045	4000	2000	2000	6 x 6	7-3/4 x 8-1/2	5-1/4	53	58-1/4	10	2	18 x 60	30 x 60	2400
1055	5000	2000	2000	6 x 6	7-3/4 x 8-1/2	5-1/4	53	58-1/4	10	2	18 x 60	30 x 60	2500

TOP OF GROUND DOCK LIFTS



6100



6150



6200 & 6300

A. MODEL NUMBER	B. LIFTING CAPACITY (LBS.)	C. AXLE CAPACITY RAISED BRIDGE END (LBS.)	D. AXLE CAPACITY RAISED RAMP END (LBS.)	E. PLATFORM SIZE (FT.)	F. OVERALL SIZE WITH RAMP (FT.)	G. LOWERED HEIGHT (IN.)	H. TRAVEL (IN.)	I. RAISED HEIGHT (IN.)	J. SPEED (F.P.M.)	K. HORSEPOWER (H.P.)	L. BRIDGE SIZE (IN.)	M. RAMP SIZE (IN.)	N. APPROX. SHIPPING WEIGHT (LBS.)
6100	5000	2500	2500	6 x 8	6 x 10-1/2	5	55	60	10	5	18 x 60	30 x 60	3300
6150	5000	2500	2500	6 x 8	7 x 11	6-1/4	54	60-1/4	7-1/4	5	18 x 60	36 x 60	3400
6200	8000	6500	6500	6 x 10	7-1/2 x 14	6	54	60	10	5	18 x 66	48 x 72	6400
6300	12,000	9600	9600	6 x 12	7-1/2 x 17	8	52	60	10	5	18 x 66	60 x 72	7900

PIT MOUNTED DOCK LIFTS

A. MODEL NUMBER	B. LIFTING CAPACITY (LBS.)	C. AXLE CAPACITY ENDS (LBS.)	D. AXLE CAPACITY SIDES (LBS.)	E. PLATFORM SIZE (FT.)	F. LOWERED HEIGHT (IN.)	G. TRAVEL (IN.)	H. RAISED HEIGHT (IN.)	I. SPREAD (F.P.M.)	J. HORSEPOWER (H.P.)	K. APPROX. SHIPPING WEIGHT (LBS.)
T-50608	5000	2500	2500	6 x 8	8	58	66	12	5	2400
T-60608	6000	3000	3000	6 x 8	8	58	66	10	5	2500
T-55609	5500	2700	3000	6 x 9	8	58	66	10	5	2780
T-55610	5500	2500	3000	6 x 10	8	58	66	10	5	2860
T-55708	5500	2700	2700	7 x 8	8	58	66	10	5	2805
T-55709	5500	2700	2700	7 x 9	8	58	66	10	5	2900
T-50710	5000	2500	2500	7 x 10	8	58	66	10	5	2990
T-50808	5000	2500	2500	8 x 8	8	58	66	10	5	2915
T-50809	5000	2500	2500	8 x 9	8	58	66	10	5	3015
T-50810	5000	2500	2500	8 x 10	8	58	66	10	5	3100
2400	5000	2500	2500	6' x 7'-2"	10	58	66	12	5	2200
3200	8000	6500	5000	6 x 8	15	58	73	10	5	4200
3210	8000	6500	5000	6 x 9	15	58	73	10	5	4350
3220	8000	6500	5000	6 x 10	15	58	73	10	5	4500
3230	8000	6500	5000	7 x 8	15	58	73	10	5	4400
3240	8000	6500	5000	7 x 9	15	58	73	10	5	4575
3250	8000	6500	5000	7 x 10	15	58	73	10	5	4750
3260	8000	6500	5000	8 x 8	15	58	73	10	5	4600
3270	8000	6500	5000	8 x 9	15	58	73	10	5	4800
3280	8000	6500	5000	8 x 10	15	58	73	10	5	5000
3300	10,000	7500	5000	6 x 8	15	58	73	8	5	4525
3310	10,000	7500	5000	6 x 9	15	58	73	8	5	4705
3320	10,000	7500	5000	6 x 10	15	58	73	8	5	4885
3330	10,000	7500	5000	7 x 8	15	58	73	8	5	4765
3340	10,000	7500	5000	7 x 9	15	58	73	8	5	4975
3350	10,000	7500	5000	7 x 10	15	58	73	8	5	5185
3360	10,000	7500	5000	8 x 8	15	58	73	8	5	5005
3370	10,000	7500	5000	8 x 9	15	58	73	8	5	5245
3380	10,000	7500	5000	8 x 10	15	58	73	8	5	5485
4100	12,000	9600	8400	6 x 10	16-1/2	58	74-1/2	7	5	5500
4110	12,000	9600	8400	6 x 11	16-1/2	58	74-1/2	7	5	5700
4120	12,000	9600	8400	6 x 12	16-1/2	58	74-1/2	7	5	5900
4130	12,000	9600	8400	7 x 10	16-1/2	58	74-1/2	7	5	5800
4140	12,000	9600	8400	7 x 11	16-1/2	58	74-1/2	7	5	6050
4150	12,000	9600	8400	7 x 12	16-1/2	58	74-1/2	7	5	6300
4160	12,000	9600	8400	8 x 10	16-1/2	58	74-1/2	7	5	6300
4170	12,000	9600	8400	8 x 11	16-1/2	58	74-1/2	7	5	6600
4180	12,000	9600	8400	8 x 12	16-1/2	58	74-1/2	7	5	6900
4200	15,000	12,000	9600	6 x 10	16-1/2	58	74-1/2	8	7-1/2	5800
4210	15,000	12,000	9600	6 x 11	16-1/2	58	74-1/2	8	7-1/2	6000
4220	15,000	12,000	9600	6 x 12	16-1/2	58	74-1/2	8	7-1/2	6200
4230	15,000	12,000	9600	7 x 10	16-1/2	58	74-1/2	8	7-1/2	6100
4240	15,000	12,000	9600	7 x 11	16-1/2	58	74-1/2	8	7-1/2	6350
4250	15,000	12,000	9600	7 x 12	16-1/2	58	74-1/2	8	7-1/2	6600
4260	15,000	12,000	9600	8 x 10	16-1/2	58	74-1/2	8	7-1/2	6600
4270	15,000	12,000	9600	8 x 11	16-1/2	58	74-1/2	8	7-1/2	6900
4280	15,000	12,000	9600	8 x 12	16-1/2	58	74-1/2	8	7-1/2	7200
4300	18,000	14,400	12,600	6 x 10	18	58	76	8	7-1/2	6400
4310	18,000	14,400	12,600	6 x 11	18	58	76	8	7-1/2	6600
4320	18,000	14,400	12,600	6 x 12	18	58	76	8	7-1/2	6800
4330	18,000	14,400	12,600	7 x 10	18	58	76	8	7-1/2	6700
4340	18,000	14,400	12,600	7 x 11	18	58	76	8	7-1/2	6950
4350	18,000	14,400	12,600	7 x 12	18	58	76	8	7-1/2	7200
4360	18,000	14,400	12,600	8 x 10	18	58	76	8	7-1/2	7200
4370	18,000	14,400	12,600	8 x 11	18	58	76	8	7-1/2	7500
4380	18,000	14,400	12,600	8 x 12	18	58	76	8	7-1/2	7800
4400	20,000	16,000	14,000	6 x 10	20	58	78	8	7-1/2	6900
4410	20,000	16,000	14,000	6 x 11	20	58	78	8	7-1/2	7300
4420	20,000	16,000	14,000	6 x 12	20	58	78	8	7-1/2	7900
4430	20,000	16,000	14,000	7 x 10	20	58	78	8	7-1/2	7000
4440	20,000	16,000	14,000	7 x 11	20	58	78	8	7-1/2	7400
4450	20,000	16,000	14,000	7 x 12	20	58	78	8	7-1/2	8000
4460	20,000	16,000	14,000	8 x 10	20	58	78	8	7-1/2	8000
4470	20,000	16,000	14,000	8 x 11	20	58	78	8	7-1/2	7800
4480	20,000	16,000	14,000	8 x 12	20	58	78	8	7-1/2	8100



T-50608



T2000 Series



2400



3000 Series



4000 Series

SELECT AN ADVANCE DOCK LIFT

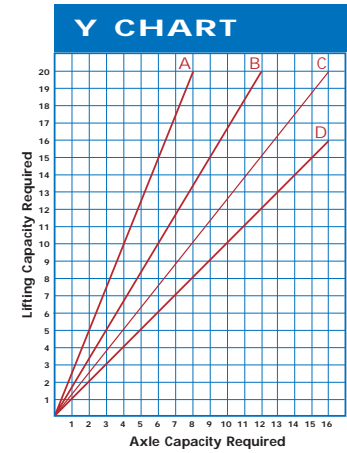
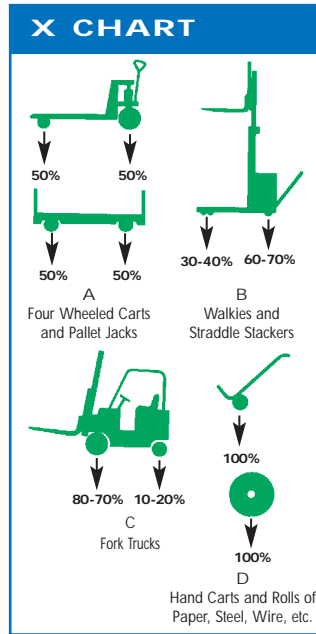
INSTRUCTIONS

Lifting Capacity: Add weight of the Load + Weight of Transport Vehicle + Weight of Personnel.

Axle Capacity: From the "X" Chart: Determine the type of Axle Loading. On the "Y" Chart: Locate the Lifting Capacity required. Follow across to the graph line (A,B,C, or D) which represents the appropriate Axle Loading Conditions and follow down to the Axle Capacity required.

Example:

Load Weighs4,000 lbs.
 Fork Truck Weighs7,300 lbs.
 Operator Weighs200 lbs.
 Total Load and Lifting Capacity Required11,500 lbs.
 Type of Axle Loading "C" (Fork Truck)
 Axle Capacity Required9,200 lbs.



Note: If the Dock Lift selected has the Lifting Capacity required, but not the Axle Loading Capacity required, select another Dock Lift which has a higher Lifting Capacity with an Axle Loading Capacity equal to the needs of the application.

DID YOU KNOW?

- The most popular wooden pallet is 40 inches wide so that two can be put in a truck side by side.
- Cushion tire fork trucks to 8,000 lb. capacity are generally less than 48 inches wide.
- Pneumatic tire fork trucks to 8,000 lb. capacity are generally less than 60 inches wide.
- A 6 foot wide platform is generally adequate to handle most normal loading situations.

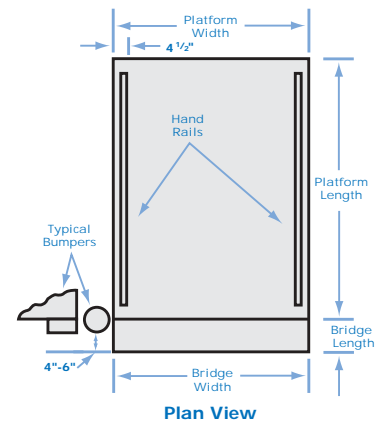
Platform Width: Equals the width of the widest load plus 12 inches minimum for operating clearance with hand rails.

Platform Length: equals the length of the longest load plus the length of any material handling equipment which may project beyond the load plus room for the operator, if required.

- A 7 foot length is adequate for loads transferred via manual pallet jacks.
- A 10 foot length should be used for loads transferred via powered pallet jacks.
- A 12 foot length should be used for loads transferred via sit down rider fork trucks.

Bridge Width: 72" is the maximum recommended width to avoid truck alignment problems. Other widths are available.

Bridge Length: The bridge should be long enough so it projects 4-6" beyond any truck bumpers to provide adequate purchase on the truck bed. 12" is the minimum recommended length.



SELECT A DOCK LIFT

Usage	Type of Loading	Lift Model Series for Your Type of Loading	Capacity of the Lift Model Series (Lbs.)	Platform Size of the Lift Model Series (Ft.)
	Hand carts, four wheeled carts and pallet jacks	Series 1000 Series T2000 Series 6100	4000 to 6000	6 x 6 to 8 x 10
	Powered pallet jacks, walkies, straddle stackers and small fork trucks	Series 3000 Model 6200	8000 to 10,000	6 x 8 to 8 x 10
	Sit down rider fork trucks and other heavy loads	Series 4000 Model 6300	12,000 to 20,000	6 x 10 to 8 x 12

SPECIFICATIONS FOR PIT MOUNTED DOCK LIFTS

(see page 7 for models, sizes, etc.)

This specification covers an Advance Model _____ as manufactured by Advance Lifts, Inc. of St. Charles, IL. The lift shall have a _____ lb. lifting capacity with an axle loading capacity of _____ lbs. over the ends and _____ lbs. over the sides, a _____ ft. safety tread steel platform with minimum 8 inch bevel toe guards, a 12" x 72" hinged steel bridge, a _____ in. lowered height, minimum 58 inch travel and _____ fpm speed. It shall have a _____ HP — 230V/60HZ/3PH continuous duty power unit, weatherproof pendant push button control, 20 ft. coil cord for the control, magnetic motor starter and 24-volt control transformer.

SPECIFICATIONS FOR TOP OF GROUND MOUNTED DOCK LIFTS

(see page 6 for models, sizes, etc.)

This specification covers an Advance Model _____ as manufactured by Advance Lifts, Inc. of St. Charles, IL. The lift shall have a _____ lb. lifting capacity with an axle loading capacity of _____ over the ends, a _____ ft. safety tread steel platform with ANSI required 3 inch vertical toe clearance between the platform and the floor when the lift is fully lowered, a _____ in. lowered height, _____ in. travel, _____ in. raised height, and _____ fpm speed. It shall have a _____ HP—230V/60HZ/3PH continuous duty power unit, weatherproof pendant push button control, magnetic motor starter and 24-volt control transformer. Standard platform accessories shall include 2 removable hand rails (one on model 1045 & 1055), a _____ in. hinged steel bridge and _____ in. steel approach ramp.

STANDARD PLATFORM ACCESSORIES SHALL INCLUDE:

1. Conformance to OSHA, ANSI, and NEC.
2. A 10-year structural warranty.
3. Positive mechanical stops within the hydraulic cylinders.
4. A 24-volt, 4 amp fused control circuit.
5. The starter, 3 pole adjustable overloads and 24-volt transformer prewired in a NEMA 12 enclosure with UL approval and label.
6. A removable safety maintenance leg.
7. Four heavy-duty torque tubes.
8. An anodized aluminum hydraulic valve manifold.
9. A minimum of 3 in-line hydraulic filters.
10. Minimum 2 inch black and yellow safety markings on the toe guards.
11. A minimum 2 inch clearance between the bottom of the toe guard and pit floor when the lift is fully lowered.
12. Lifetime lubricated bearings.
13. Chrome plated axles, shafts and rods.
14. Semi trailer rollover capacity when the lift is fully lowered.
15. A baked-on enamel paint finish.

MINIMUM DESIGN AND SAFETY FEATURES SHALL INCLUDE:

1. Conformance with OSHA, ANSI, and NEC.
2. Positive mechanical stops within the hydraulic cylinders.
3. A 24-volt, 4 amp fused control circuit.
4. The starter, 3 pole adjustable overloads and 24-volt transformer prewired in a NEMA 12 enclosure with UL approval and label.
5. Removable safety maintenance leg(s).
6. An anodized aluminum hydraulic valve manifold.
7. Lifetime lubricated bearings.
8. Chrome plated axles, shafts and rods.
9. A baked-on enamel paint finish.

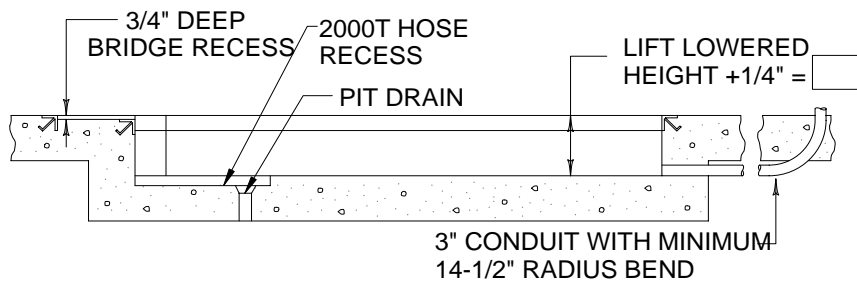
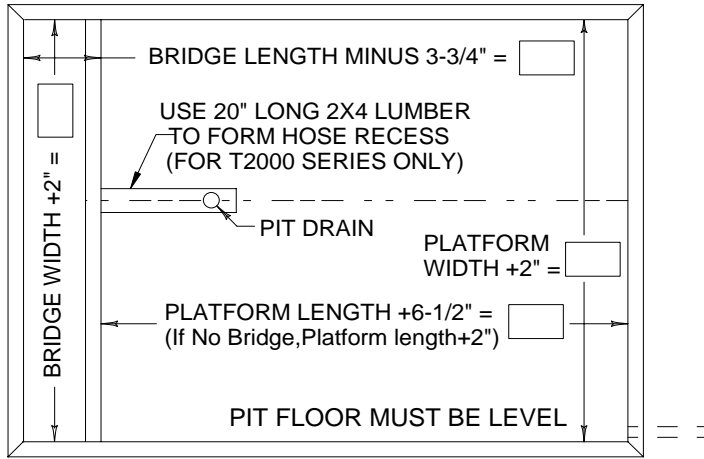
WARRANTY

For a period of ONE YEAR from date of shipment from Company's plant, the Company agrees to replace or repair, free of charge, any defective parts, material or workmanship on new equipment. This shall include electrical and hydraulic components. For a period of TEN YEARS or 125,000 cycles (whichever occurs first) from date of shipment from Company's plant, the Company agrees to replace or repair, free of charge, any defective structure. Company

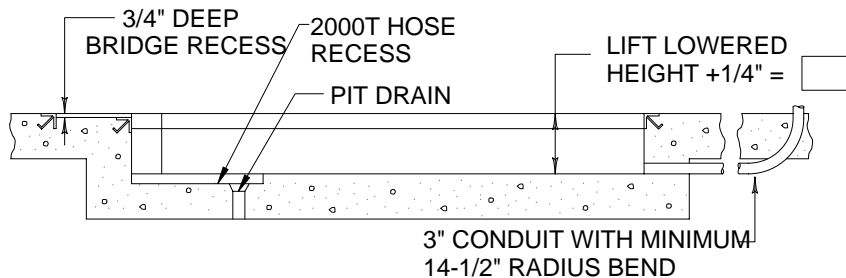
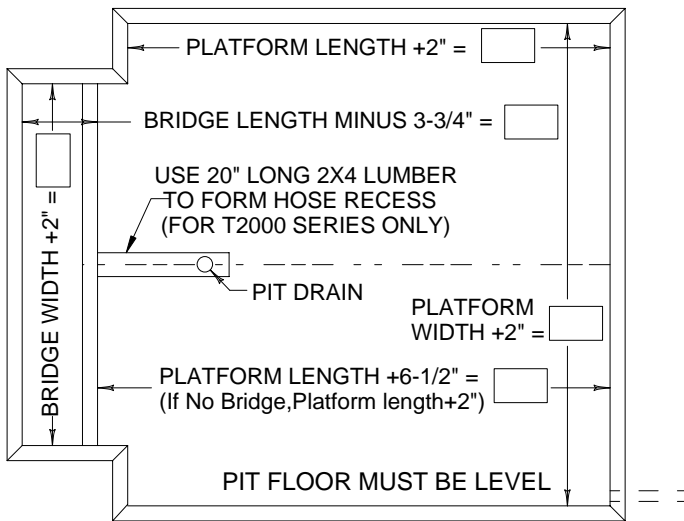
authorization must be obtained prior to the commencement of any work. The Company reserves the right of choice between effecting repairs in the field or paying all freight charges and effecting the repairs at the Company's plant. The Company further reserves the right of final determination in all warranty considerations. Evidence of overloading, abuse or field modification of units without Company approval shall void this warranty. No contingent liabilities accepted.

CAD installation drawings are available on Advance's web site www.advancelifts.com

PIT DIAGRAMS



WHERE BRIDGE WIDTH IS THE SAME AS PLATFORM WIDTH



WHERE BRIDGE WIDTH IS SMALLER THAN THE PLATFORM WIDTH

Notes

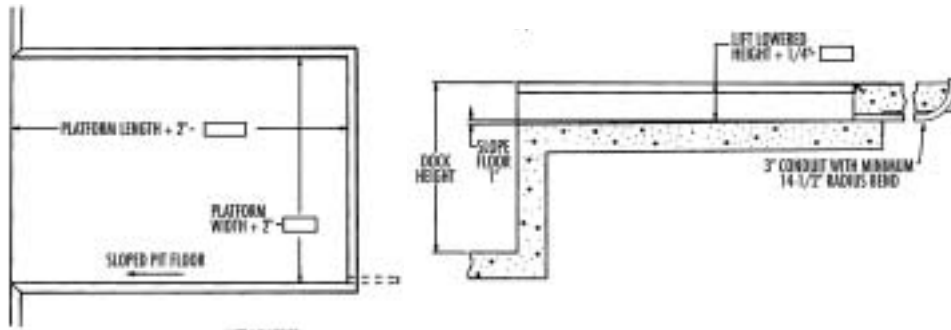
- A** Consult factory for pit diagram for optional wheel chock.
- B** Reinforce concrete to suit local soil conditions.
- C** All pit work and materials shown are the responsibility of owner or his agent (by pit contractor).
- D** Installer to run 1/2" diameter hose(s) through 3" conduit from power unit to lift base.
- E** Dimension tolerances are plus 1/4" minus 0" (+1/4"-0").
- F** 180 degree steel hinge bridges require a bridge recess length equal to bridge length minus 2.3/4".
- G** 180 degree aluminum hinge bridges require a bridge recess length equal to bridge length minus 3.3/4" and a pit length equal to platform length plus 7.1/2".
- H** Consult factory for bridges longer than 30". (18" on 4000 Series).

Installation Bill of Materials

- 1 3" x 3" x 1/4" curb angle as required.
- 2 One (1) 3" conduit from power unit location to pit.
- 3 One (1) Advance Model _____.
- 4 One (1) electric disconnect switch for 5HP or 7.1/2 HP motor.
- 5 Ten (10) gallons ISO 46 hydraulic oil.
- 6 One (1) 1/2" SAE 100R2 hydraulic pressure hose from power unit location to lift base — 1/2" male #8JIC threads both ends (two hoses required for 4000 Series Safetydok).
- 7 Concrete anchor bolts and material for shimming and/or grouting.

*Seller furnishes Advance dock lift only unless otherwise agreed to in writing.

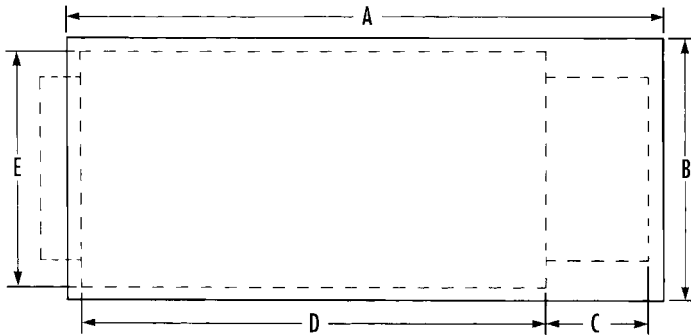
TOP OF DOCK RECESSED INSTALLATION



Installation Bill of Materials

- 1 3" x 3" x 1/4" curb angle as required.
 - 2 One (1) 3" conduit from power unit location to pit.
 - 3 One (1) Advance Model _____
 - 4 One (1) electric disconnect switch for 5HP or 7-1/2 HP motor.
 - 5 Ten (10) gallons ISO 46 hydraulic oil.
 - 6 One (1) 1/2" SAE 100R2 hydraulic pressure hose from power unit location to lift base 1/2" male #8JIC threads both ends (two hoses required for 4000 Series).
 - 7 Concrete anchor bolts and material for shimming and/or grouting.
- *Seller furnishes lift only unless otherwise agreed to in writing.

CONCRETE PAD DIAGRAM FOR TOP OF GROUND MOUNTED DOCK LIFT MODELS



Installation Bill of Materials

- 1 One (1) Advance Model Number _____
 - 2 One (1) length 16/4 SJO control cord for the push button.
 - 3 20 ft. 1/2" SAE 100R2 hydraulic pressure hose from the power unit location to the lift base- 1/2" male #8JIC threads both ends. 6100-1 hose. 6200 & 6300-2 hoses.
 - 4 20 ft. of metal hose cover (6100, 6200, & 6300 Models only).
 - 5 One (1) electric disconnect switch for 2 or 5HP motor.
 - 6 One (1) plug receptacle.
 - 7 Dextron III motor oil for the power unit reservoir. 6100-5 gallons. 6200 & 6300-10 gallons. Included with 1000 Series & 6150.
 - 8 Concrete anchor bolts and material for shimming and/or grouting.
- *Seller furnishes items 1 through 4 only unless otherwise agreed to in writing.

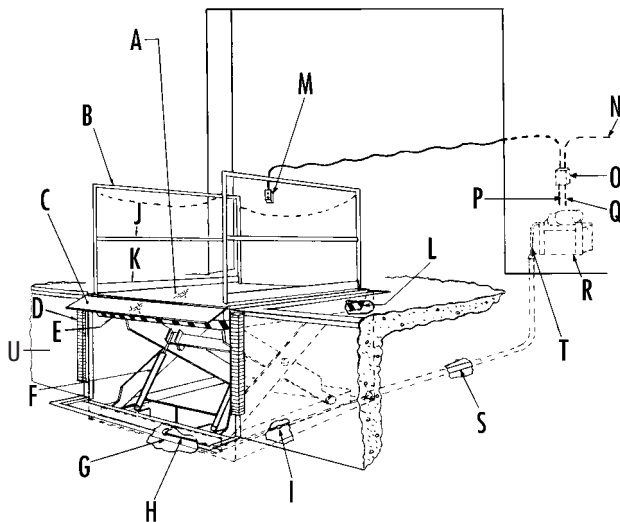
Model Number	A	B	C	D	E
1035	10 ft.	6 1/2 ft.	2 ft.	7 ft.	5 1/2 ft.
1045	9 1/2 ft.	8 1/2 ft.	2 1/2 ft.	6 ft.	7 3/4 ft.
1055	9 1/2 ft.	8 1/2 ft.	2 1/2 ft.	6 ft.	7 3/4 ft.
6100	11 1/2 ft.	7 ft.	2 1/2 ft.	8 ft.	6 ft.
6150	12 ft.	7 ft.	2 1/2 ft.	8 ft.	6 1/2 ft.
6200	15 ft.	8 1/2 ft.	4 ft.	10 ft.	7 1/2 ft.
6300	18 ft.	8 1/2 ft.	5 ft.	12 ft.	7 1/2 ft.

A Concrete Pad Length
B Concrete Pad Width
C Ramp Length
D Lift Length
E Lift Width

Notes

- Reinforce concrete to suit local soil conditions.
- All concrete work is the responsibility of the owner or his agent.
- Installer to run 1/2" diameter hose(s) from the power unit to the lift base. 6100, 6200, 6300 Models only.
- Concrete pad must be flat and level.

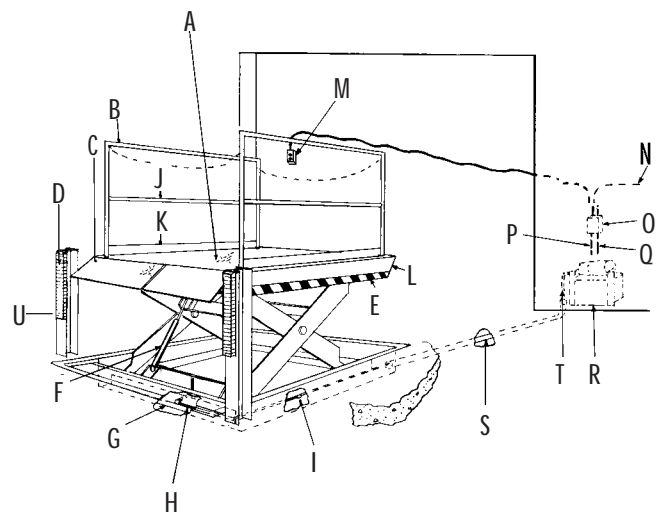
TYPICAL RECESSED DOCK LIFT INSTALLATION AT A RAISED DOCK



- A** Platform with Safety Tread Deck
- B** Removable Handrails with Safety Chains
- C** Hinged Bridge
- D** Rubber Dock Bumpers
- E** Black and Yellow Safety Striping
- F** Chrome Plated Rams
- G** Pre-Drilled Base Frame for Lagging Lift to Floor

- H** 48" long Hydraulic Connecting Hose supplied by Advance Lifts, Inc. with 1/2" Connector at center of base frame. Optional: 1/2" x 20' long Hydraulic Hose supplied by Advance Lifts, Inc.
- I** Connector
- J** Midrail
- K** Kickplate
- L** Bevel Toe Guards 4-Sides

TYPICAL RECESSED DOCK LIFT INSTALLATION AT GROUND LEVEL



- M** Up-Down Pushbutton Station NEMA 1, 3, 3R, 4, 4X W/20' Control Cord
- N** Incoming Power Source
- O** Motor Controller in NEMA 12 Enclosure
- P** To Motor on Power Unit
- Q** To Down Solenoid on Power Unit
- R** Power Unit 5 HP 230V 60Hz 3Ph motor mounted on Reservoir 26"W x 22"L x 21"H (including motor) with brackets for wall mtg.

- S** Run 3" Conduit from Power Unit Location to Lift Base (by others)
- T** Installer to run 1/2" Hydraulic 2-Wire Hose through 3" Conduit from Power Unit to Connecting Hose
- U** WF Beam or Dock face

QUESTIONS & ANSWERS

Answers to questions most often asked regarding dock lifts.

NOTE: Many of these questions and answers don't apply to the 1000 and 6000 Series because they sit on top of the ground.

ELECTRICAL

Is it okay to operate the equipment on other than 230 volts/60 cycles/3 phase power?

Yes. Motors and electrical components are designed to operate on 208V/220V/230V/240V/440V/460V/480V-60 cycle - 3 phase at no additional cost. Just specify the voltage so the correct motor overload heaters can be supplied.

Can the lifts be operated on single phase?

Yes, for an additional charge, but only on 230V/60cy/1ph and only the 5 HP units. The 7-1/2 HP 4000 Series units aren't available for single phase operation due to the amperage draw on a 7-1/2 HP single phase motor.

HYDRAULIC

What oil should be used to operate the lift?
ISO 46 hydraulic oil.

What happens to a lift if a hydraulic line breaks?

The lift will not free fall. By ANSI code, cylinders are equipped with flow controls which prevent the lift from lowering faster than the greater of 4 times the normal speed or 30 fpm when fully loaded.

What about velocity fuses?

Velocity fuses are small hydraulic valves which are screwed directly into the hydraulic cylinder ports. If a hydraulic line loses pressure, the fuse closes so the lift won't come down until the line is repaired. Velocity fuses are very good devices for certain equipment.

Why aren't velocity fuses standard on Advance Superdoks?

The problems they create outweigh their safety advantage. They can lock up in cold weather due to thick oil and under shock loading which is common to dock lifts (loads bouncing over the ends or dropped onto a platform). One fuse can lock while the other(s) remain open which puts all the load forces on one cylinder which could result in damage to the lift. Advance offers velocity fuses as an option, but doesn't recommend them for multi-cylinder dock lifts.

MECHANICAL

Can the hinged bridge be mounted on the side of the platform rather than the end?

Yes, and at no additional charge. It can also be off-centered on the side. Watch the axle loading capacity over the sides, however, because it is often less than over the ends.

Can the hand rail location be changed?

Yes, and at no additional charge. The rails can be put on the ends or in an "L" configuration.

Can a truck or semi trailer drive over the lift?

Yes, but only at slow speeds and only when the lift is fully lowered and resting on its mechanical stops.

What happens if a truck hits the lift?

It will probably be damaged, but the damage depends upon the impact forces.

Can the platforms be made smaller than shown?

It depends upon the lift model. Advance can't make any platform less than 8 feet long, but we can make some as narrow as 4 feet wide. Consult the factory on this.

How long can the hinged bridge be made?

30 inches on all models except the 4000 Series. 24 inches on the 4000 Series. Consult the factory beyond this.

When should a hinged bridge be split?

It depends upon the application, but generally bridges over 12 inches on the 4000 Series and 18 to 20 inches on the other models should be split.

How does the hinged bridge work?

It's manually operated. When the lift is raised to truckbed level, the bridge is simply kicked over onto the truckbed. To bring the bridge back, lower the lift so the bridge begins to cam back then simply flip it back with a foot or hand or use an automatic bridge activator.

What about full skirts or skirting on a lift?

Federal regulations do not require full skirts; they require 8 inch bevel toe guards which are standard on pit mounted dock lifts. Where personnel protection is desired beyond that required by federal regulations, use Advance's electric toe guards. Fabric roller shades and accordion bellows skirting are not durable and because they do not provide a rigid physical barrier, their protection is based upon "what you can't see can't hurt you." Telescoping sheet metal skirt sections are more rigid, but are very susceptible to damage which makes them inoperable.

GENERAL

What does it cost to install a pit mounted dock lift?

Naturally, this is a variable depending upon the application, but as a general rule of thumb, you can add 50% to the price of the lift. This 50% covers the cost of the pit, electrical work, mechanical installation, freight and taxes. If a lift costs \$10,000.00, the total cost for everything would be about \$15,000.00, including the lift.

INSTALLATION

Where should the power unit be located?

Wherever convenient, out of the weather, preferably inside the building within 30 feet of the lift.

Where should the push button control be located?

Wherever convenient as long as the operator can see the lift. Generally, the control is on an electric cord and hung on the hand rail while the lift is being used and then put inside the building when the lift isn't being used. For safety, the lift should always be operated by the person on the lift.

How thick should the concrete pit floor be?

That depends upon the floor loading and the local soil conditions (quicksand or rock).

What kind of drain should be used?

The best drain is one that goes into the storm sewer. The next would be a sump pump arrangement. The next would be a "French" drain or drain field.

What happens to the lift if the pit floods?

Water could get into the hydraulic system through the air breather ports in the cylinders requiring that the system be flushed out before rust develops in the hydraulic components.

Can the three (3) inch conduit for the hydraulic line(s) be located other than shown on the pit diagram?

Yes, it can be located anywhere along either long side of the pit or on either end, in the corner.

When a lift is recessed into a three-sided pit at a raised dock and the lift is stored in the raised position, how is the front opening closed off?

It usually isn't because there's no need to. If security is a consideration, night locks are used. Safety isn't a major concern because the truck blocks the opening when the lift is being used. Debris getting into the pit isn't normally a problem, but a simple plywood or sheet metal gate can be used when the lift is stored or Advance can provide a fabric roller shade skirt.

Should bumper posts be used to protect the lift?

They are recommended, but aren't absolutely necessary. The lift is usually down when a truck backs in so the truck is not apt to damage the lift.

Where do the 8-inch concrete filled pipe bumpers go?

On a 6 foot wide lift with a 6 foot wide hinged bridge, the pipes go on the sides of the lift, just outside the 3 inch curb angles and on a centerline with the bridge hinge. This will leave 8 inches of the 12-inch bridge projecting beyond the pipes. On a lift that is wider than 6 feet, the pipes must go in front of the lift and the 3-inch curb angle and be on 84-inch centers. The bridge should be increased to 18" to allow a 6-inch bridge projection beyond the posts.

Can the lift be installed on top of blacktop?

No, it will sink. A concrete pad is required.

Distributed by:



701 South Kirk Road, St. Charles, IL 60174
1-800-843-3625
fax 630-584-9405
www.advancelifts.com

©2003 Advance Lifts, Inc. All rights reserved.

DL0603
Printed in the U.S.A.