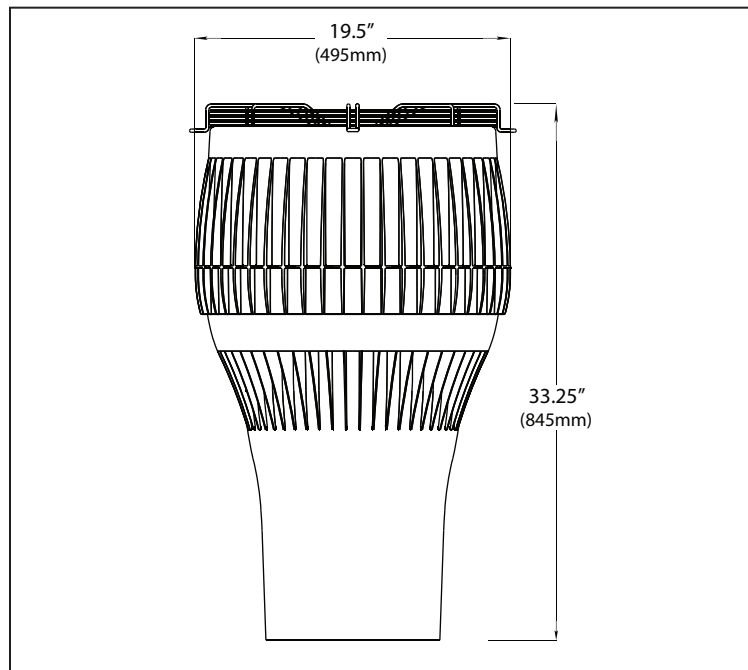


Model 100



MODEL 100 FEATURES

DESCRIPTION

- De-stratification Fan/Air turbine
- Designed to deliver columnar laminar flow of air from ceiling to floor

USES

- Used to de-stratify/thermally equalize buildings
- Used to equalize humidity
- Used to increase thermal comfort during summer and winter
- Used to reduce ceiling temperature to extend life of lighting ballasts
- Optional accessories to adapt unit to varying requirements and conditions

ATTRIBUTES AND CHARACTERISTICS

- Columnar laminar flow
- Easy installation
- Small amp draw
- Quiet & energy efficient operation
- Free hanging, unit can be angled up to 90° off vertical
- Long throw

100-115V-EC
100-200/277V-EC, 100-200/277V-EL
100-230V-EC

SELECTION

- Reduce energy consumption up to 30% or more
- 0 to 390 watt energy efficient operation
- Mounting height up to 100 feet
- Perfect for highbay applications
- Capable of Temperature balance within 0° to 3° F
- Contact manufacturer for a selection consultation

SUSTAINABILITY

- Meets LEED EA Credit - Optimize Energy Performance
- Made from recyclable materials
- Recyclable corrugated packaging

CODE APPROVAL

- Conforms to Underwriters Laboratories Standard 507 for Safety Electric Fans
- Edison Testing Laboratories certified fan and components
- 5VA flame resistance rating
- RoHS compliant

PERFORMANCE

- Standard model capable of covering up to 2500 ft² or a 56 ft coverage diameter
- Capable of temperature control within 0° to 3° F with proper array/density of units
- Performance and results of the Air Pear are subject to many variables such as, but not limited to, the interior environment, exterior environment, conditions of building structure, HVAC system performance and/or electrical service and thus actual results may vary

SHIPPING & HANDLING

- Product will ship based on availability, contact manufacturer or reseller
- All products are shipped FOB factory

WARRANTY

- Warranty offered - 3-year from shipping date
- Money back guarantee - 30 days
- Refurbish program after 3-year warranty period

LIMITATIONS

- Should not mount over 100 feet
- Do not install in environments open to the elements (contact manufacturer)

SAFETY PRECAUTIONS

- Seismic restraint point for earthquake codes provided
- Thermal overload protection provided
- Always hold the Air Pear by the bail/crosspiece to avoid injury from moving parts

AVAILABILITY

- Available across North, Central, and South America
- Available across UK, EU, and Middle East
- Available across Mediterranean
- Available across Oceania

COST

- Consult manufacturer sales offices or reseller for specific product costs

MODEL 100 PROPERTIES

MATERIALS, DIMENSIONS & PROPERTIES

HOUSING		Standard
	Weight:	45 lbs (20.5 kgs)
	Height to Rim:	33.25 in (845 mm)
	Total Height:	N/A
	Diameter:	19.5 in (495 mm)

EC/EL MOTOR		115V	230/277V
	Watts* @ 50/60 htz:	0 - 350	0 - 390
	RPM* @ 50/60 htz:	0 - 1620	0 - 1690
	CFM* @ 50/60 htz (m3/hr):	0 - 3210 (0 - 5453)	0 - 3358 (0 - 5705)
	AMPS* @ 50/60 htz:	0 - 4.2	0 - 2.5

*Motor data provided by motor manufacturer and is subject to change at anytime

- Proudly made in the USA
- Constructed from recyclable materials
- The outer shell and stator are fire rated 5VA materials
- Power cord is a 3 wire 18 AWG (or 16 AWG) 300VAC rated electrical cord, UL rated in North America as SJT or for CE/EU compliance rated as HO5VV
- 115VAC version comes with molded three prong plug
- 230/277VAC versions do not have a plug supplied
- All model 100 motors are sourced by EBM PAPST
- EC - Electrically Commutated, 92% efficient motor
- EL - Electrically Commutated, 92% efficient, AiriusNET Enabled motor
- Motor is thermally protected. Shutoff is at 275° F (135° C) & reset is at 255° F (125° C)
- 0 - 68 dB(A)* at 50/60 htz.
- No lubrication required. Bearings are sealed

ACCESSORIES & OPTIONS

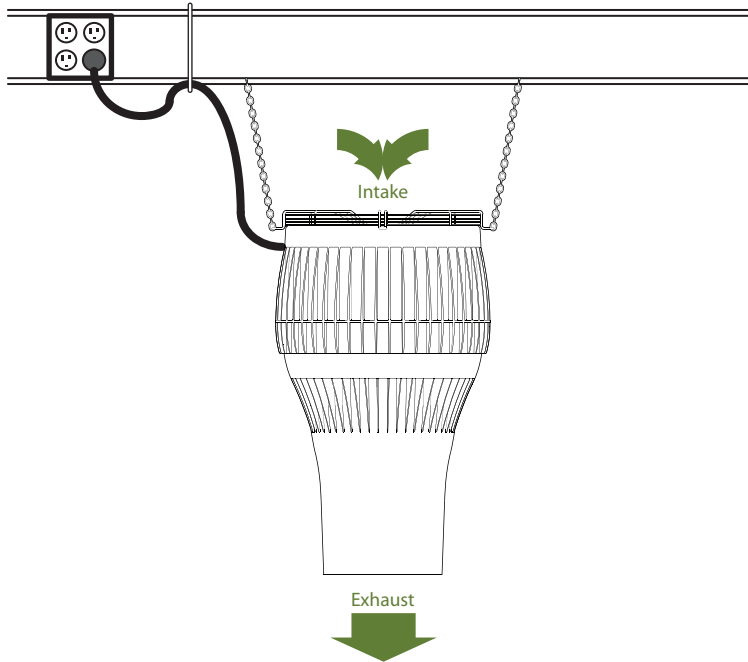
- Available in single phase 115/200-277VAC for EC and 200-277VAC for EL motors
- Air Pear speed control - Potentiometer to alter 0-10VDC control (EC) or LISA software for EL
- Building management systems can vary speed of EC based on a 0-10VDC
- AiriusNET (only available with EL models) - Individually addressable Fan management system Requires a browser enabled computer
- Wireless - EL models have a wireless option to eliminate control wires
- Colors: PMS Cool Grey 2C or PMS Grey 432C

MODEL 100 PLACEMENT

PREPARATION

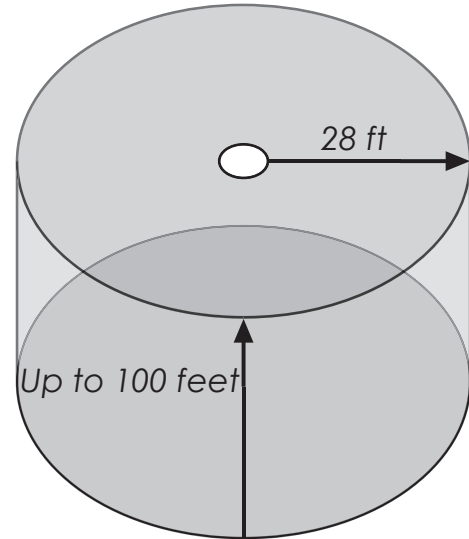
- Install electrical circuit(s) and outlet(s) in accordance with national and local electric codes
- Outlets should generally be mounted vertically unless a "twist/locking" type is being used
- Wall switch may be installed in circuit to disable power and prevent electrical hazards when servicing
- Confirm electrical continuity of Air Pear on the ground before permanently mounting in the ceiling

INSTALLATION



- Hang vertically as high in the ceiling as possible
Typically 12 - 18 inches from the roof deck to intake
- The Air Pear performs best when installed such that the air column/exhaust from the nozzle is unimpeded to the floor
- Use professionally installed hardware, capable of supporting a minimum of five times the weight
- Hardware to hang the unit includes but is not restricted to: Hooks, chains, cables, carabiners, and bolts
- Density of the placement is directly related to the effectiveness, performance and savings
- Floor plans, mezzanines, office locations, machinery, people placement, plumbing, lighting, duct work, electrical systems, natural light/air systems, cranes, doors, windows, ventilation and fire suppression systems are all factors in properly locating the Air Pear system within the ceiling

COVERAGE



- Air Pear Unit
- Model 100 Coverage

- Model 100 capable of covering up to 2500 ft² or a 56 ft coverage diameter with a ceiling height up to 100 feet

OPERATION

- Designed to operate 24 hours-a-day, 7 days-a-week to maintain thermal equalization/humidity equalization
- Use optional speed control to fine tune RPM if needed
- Use optional LISA software to manage EL fans via control wires or upgrade to wireless

MAINTENANCE

- Frequency of cleaning will vary by application and environment
- You may clean the plastic housing with a damp warm cloth, using mild household detergents
- Do not use petroleum products, thinners or solvents to clean any part of the Air Pear
- If the Air Pear system fails, contact manufacturer

MANUFACTURER & RESELLERS

- *USA and International:*
AIRIUS, LLC (Manufacturer)
811 South Sherman Street
Longmont, Colorado 80501 - USA
Telephone: 303.772.2633
Fax: 303.772.8276
Web: www.theairpear.com
- *UK/Europe/Middle East:*
AIRIUS Europe Ltd. (Exclusive Importer)
57 Wimborne Road, Bournemouth,
Dorset BH3 7AL - UK
Telephone: (44) 1202 554200
Fax: (44) 1202 554396
Web: www.airius.co.uk

CLASSIFICATION

- *MasterFormat: HVAC Axial Fans - 23 34 13*
Ceiling Fans - 11 34 00
Air Curtains - 23 34 33
Commercial Ceiling Fans - 23 34 70

May be covered by one or more of the following United States Patents: 7,381,129 B2; D514688 and other patents pending

AIRIUS®, AIR PEAR®, and THE THERMAL EQUALIZER® are trademarks of Airius, LLC, registered in the U.S. and in some countries abroad. Other trademarks pending in the U.S. and abroad.

Airius LLC, ©2011. All Rights Reserved.

