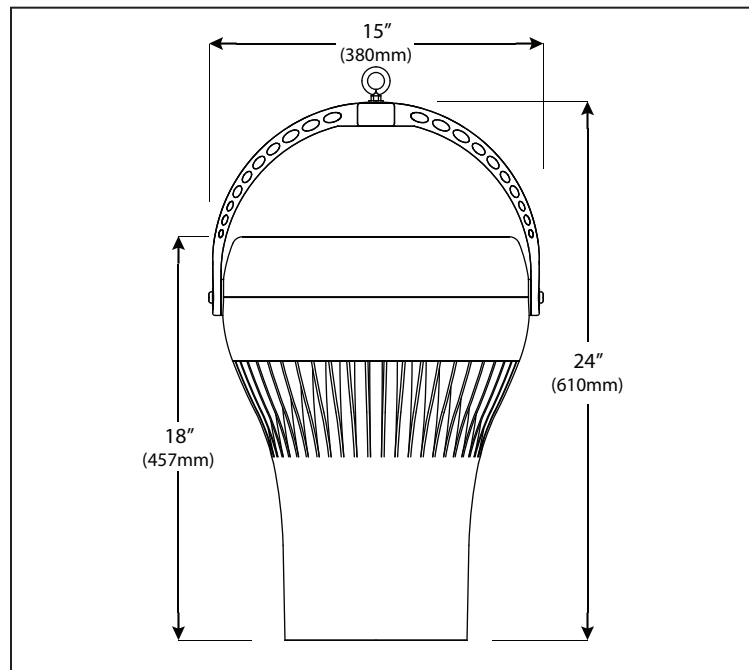


Model 45

45-115V-PS-P4, 45-115V-PS-P2, 45-115V-EC, 45-115V-EL
45-230/277V-PS-P4, 45-230/277V-PS-P2, 45-230/277V-EC, 45-230/277V-EL



MODEL 45 FEATURES

DESCRIPTION

- De-stratification Fan/Air turbine
- Designed to deliver columnar laminar flow of air from ceiling to floor

USES

- Used to de-stratify/thermally equalize buildings
- Used to equalize humidity
- Used to increase thermal comfort during summer and winter
- Used in suspended ceilings with optional kit
- Used to reduce ceiling temperature to extend life of lighting ballasts
- Optional accessories to adapt unit to varying requirements and conditions

ATTRIBUTES AND CHARACTERISTICS

- Columnar laminar flow
- Easy installation
- Small amp draw
- Quiet & energy efficient operation
- Free hanging, unit can be angled up to 90° off vertical
- Long throw

SELECTION

- Reduce energy consumption up to 30% or more
- 0 to 190 watt energy efficient operation
- Can be used in a suspended ceiling
- Capable of temperature balance within 0° to 3° F
- Mounting height up to 38 feet (PS-P4) or 45 feet (PS-P2, EC, EL)
- Contact manufacturer for a selection consultation

SUSTAINABILITY

- Meets LEED EA Credit - Optimize Energy Performance
- Made from recyclable materials
- Recyclable corrugated packaging

CODE APPROVAL

- Conforms to Underwriters Laboratories Standard 507 for Safety Electric Fans
- Edison Testing Laboratories certified fan and components
- 5VA flame resistance rating
- RoHS compliant

PERFORMANCE

- PSP2, EC, EL models capable of covering up to 1500 ft² or a 44 ft coverage diameter
- PSP4 models capable of covering up to 1200 ft² or a 40 ft coverage diameter
- Capable of temperature control within 0° to 3° F with proper array/density of units
- Performance and results of the Air Pear are subject to many variables such as, but not limited to, the interior environment, exterior environment, conditions of building structure, HVAC system performance and/or electrical service and thus actual results may vary

SHIPPING & HANDLING

- Product will ship based on availability, contact manufacturer or reseller
- All products are shipped FOB factory

WARRANTY

- Warranty offered - 3-year from shipping date
- Money back guarantee - 30 days
- Refurbish program after 3-year warranty period

LIMITATIONS

- Should not mount over 45 feet for PSP2, EC, or EL model
- Should not mount over 38 feet for PSP4 Model
- Do not install in environments open to the elements

SAFETY PRECAUTIONS

- Seismic restraint point for earthquake codes provided
- Thermal overload protection provided
- Always hold the Air Pear by the bail/crosspiece to avoid injury from moving parts

AVAILABILITY

- Available across North, Central, and South America
- Available across UK, EU, and Middle East
- Available across Mediterranean
- Available across Oceania

COST

- Consult manufacturer sales offices or reseller for specific product costs

MODEL 45 PROPERTIES

MATERIALS, DIMENSIONS & PROPERTIES

HOUSING	Standard	
	Weight:	14 lbs (6.4 kgs)
	Height to Rim:	18 in (457 mm)
	Total Height:	24 in (610 mm)
	Diameter:	15 in (380 mm)

PS-P4 MOTOR		115V	230/277V
	Watts* @ 50/60 htz:	44/46	42/45
	RPM* @ 50/60 htz:	1400/1650	1400/1630
	CFM* @ 50/60 htz (m3/hr):	595/715 (1010/1215)	595/707 (1010/1200)
	AMPS* @ 50/60 htz:	.4/.41	.19/.2

*Motor data provided by motor manufacturer and is subject to change at anytime

PS-P2 MOTOR		115V	230	277V
	Watts* @ 50/60 htz:	120/175	125/165	190
	RPM* @ 50/60 htz:	2550/2700	2450/2600	2900
	CFM* @ 50/60 htz (m3/hr):	1057/1128 (1795/1916)	1072/1160 (1821/1970)	1301 2210
	AMPS* @ 50/60 htz:	1.05/1.48	0.54/0.7	0.7

*Motor data provided by motor manufacturer and is subject to change at anytime

EC/EL MOTOR		115V	230/277V
	Watts* @ 50/60 htz:	0 - 170	0 - 175
	RPM* @ 50/60 htz:	0 - 2850	0 - 3050
	CFM* @ 50/60 htz (m3/hr):	0 - 1180 (0 - 2004)	0 - 1290 (0 - 2191)
	AMPS* @ 50/60 htz:	0 - 2.2	0 - 1.4

*Motor data provided by motor manufacturer and is subject to change at anytime

- Proudly made in the USA
- Constructed from recyclable materials
- The outer shell and stator are fire rated 5VA materials
- Power cord is a 3 wire 18 AWG (or 16 AWG) 300VAC rated electrical cord, UL rated in North America as SJT or for CE/EU compliance rated as HO5VV
- 115VAC version comes with molded three prong plug
- 230/277VAC versions do not have a plug supplied
- All model 45 motors are sourced by EBM PAPST
- PSC - Permanent Split Capacitor motor
- EC - Electrically Commutated, 92% efficient motor
- EL - Electrically Commutated, 92% efficient, AiriusNET Enabled motor
- Motor is thermally protected. Shutoff is at 275° F (135° C) & reset is at 255° F (125° C)
- 0 - 79 dB(A)*
- No lubrication required. Bearings are sealed

ACCESSORIES & OPTIONS

- Available in single phase 115/230/277VAC
- Air Pear suspended ceiling kit - Allows model 45 to be mounted in a dropped ceiling grid
- Air Pear speed control - TRIAC speed control to adjust top end RPM (PSC) or Potentiometer to alter 0-10VDC control (EC)

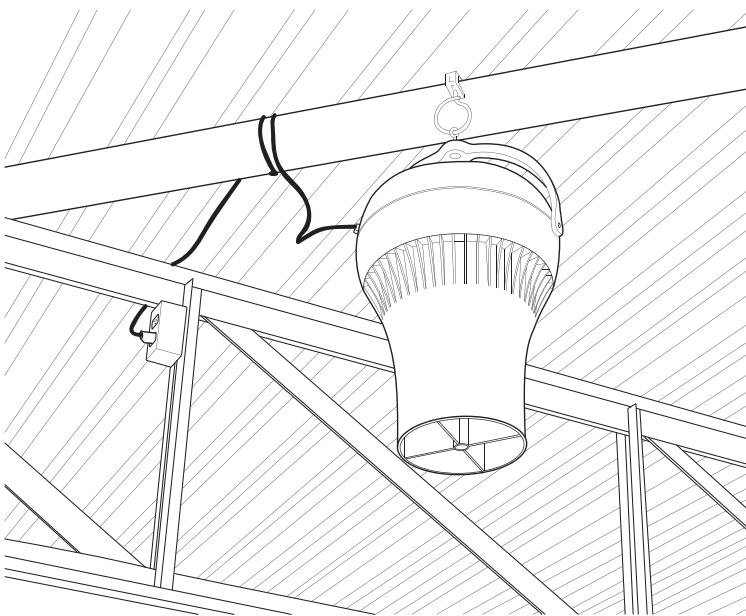
- Building management systems can vary speed of EC based on a 0-10VDC
- AiriusNET (only available with EL models) - Individually addressable Fan management system Requires a browser enabled computer
- Wireless - EL models have a wireless option to eliminate control wires
- Colors: PMS Cool Grey 2C or PMS Grey 432C

MODEL 45 PLACEMENT

PREPARATION

- Install electrical circuit(s) and outlet(s) in accordance with national and local electric codes
- Outlets should generally be mounted vertically unless a "twist/locking" type is being used
- Wall switch may be installed in circuit to disable power and prevent electrical hazards when servicing
- Confirm electrical continuity of Air Pear on the ground before permanently mounting in the ceiling

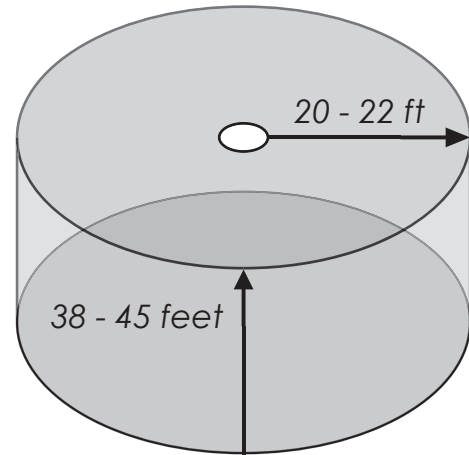
INSTALLATION



- Hang vertically as high in the ceiling as possible
Typically 12 - 18 inches from the roof deck to intake

- The Air Pear performs best when installed such that the air column/exhaust from the nozzle is unimpeded to the floor
- Use professionally installed hardware, capable of supporting a minimum of five times the weight
- Hardware to hang the unit includes but is not restricted to: Hooks, chains, cables, carabiners, bridle rings, beam clamps and bolts
- Density of the placement is directly related to the effectiveness, performance and savings
- Floor plans, mezzanines, office locations, machinery, people placement, plumbing, lighting, duct work, electrical systems, natural light/air systems, cranes, doors, windows, ventilation and fire suppression systems are all factors in properly locating the Air Pear system within the ceiling

COVERAGE



- Air Pear Unit
- Model 45 Coverage

- PS-P4 model capable of covering up to 1200 ft² or a 40 ft coverage diameter with a mounting height up to 38 ft
- PS-P2, EC, and EL models capable of covering up to 1500 ft² or a 44 ft coverage diameter with a mounting height up to 45 ft

OPERATION

- Designed to operate 24 hours-a-day, 7 days-a-week to maintain thermal equalization/humidity equalization
- Use optional speed control to fine tune RPM if needed
- Use optional LISA software to manage EL fans via control wires or upgrade to wireless

MAINTENANCE

- Frequency of cleaning will vary by application and environment
- You may clean the plastic housing with a damp warm cloth, using mild household detergents
- Do not use petroleum products, thinners or solvents to clean any part of the Air Pear
- If the Air Pear system fails, contact manufacturer

MANUFACTURER & RESELLERS

- USA and International:
AIRIUS, LLC (Manufacturer)
811 South Sherman Street
Longmont, Colorado 80501 - USA
Telephone: 303.772.2633
Fax: 303.772.8276
Web: www.theairpear.com
- UK/Europe/Middle East:
AIRIUS Europe Ltd. (Exclusive Importer)
57 Wimborne Road, Bournemouth,
Dorset BH3 7AL - UK
Telephone: (44) 1202 554200
Fax: (44) 1202 554396
Web: www.airius.co.uk

CLASSIFICATION

- MasterFormat: HVAC Axial Fans - 23 34 13
Ceiling Fans - 11 34 00
Air Curtains - 23 34 33
Commercial Ceiling Fans - 23 34 70

May be covered by one or more of the following United States Patents: 7,381,129 B2; D514688 and other patents pending

AIRIUS®, AIR PEAR®, and THE THERMAL EQUALIZER® are trademarks of Airius, LLC, registered in the U.S. and in some countries abroad. Other trademarks pending in the U.S. and abroad

Airius LLC, ©2011. All Rights Reserved.

