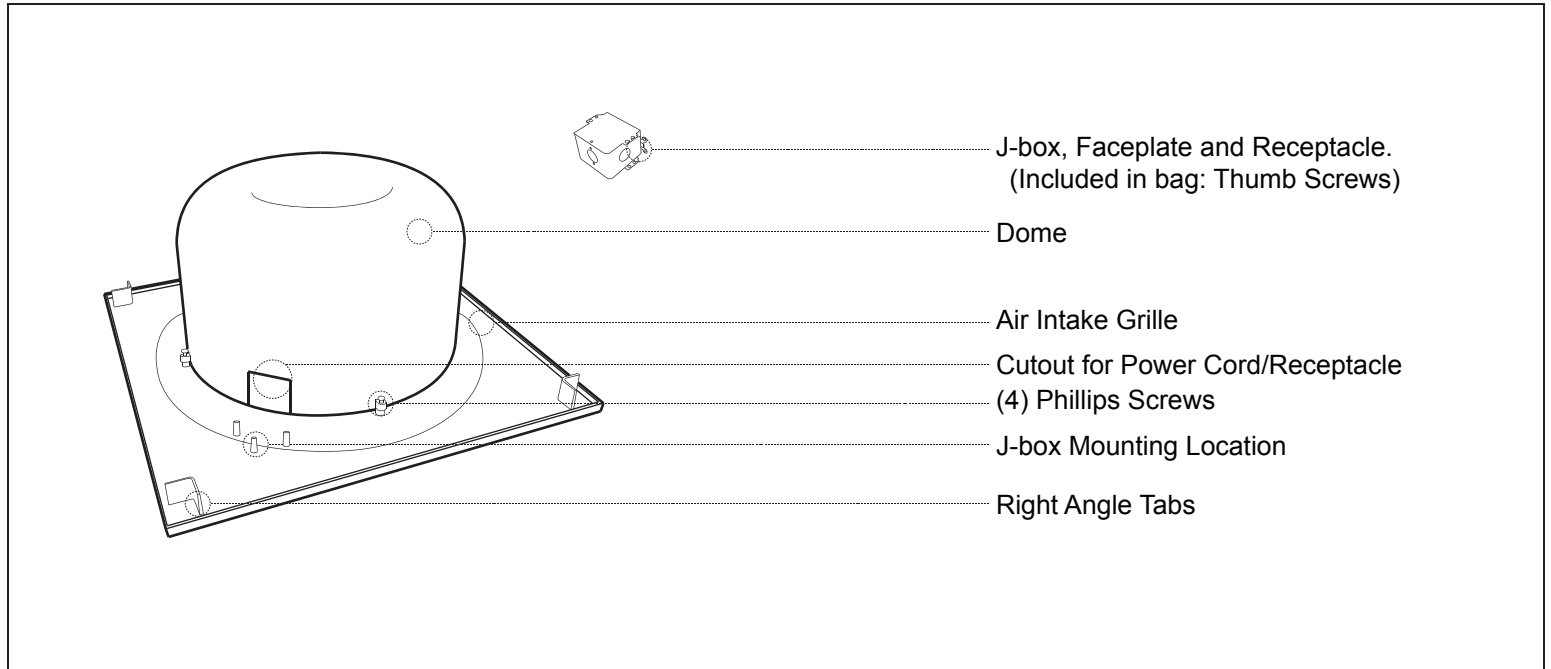


SUSPENDED CEILING KIT

Works with both standard and short
Models 10, 15, 25 & 45



S/C KIT FEATURES

DESCRIPTION

- De-stratification Fan/Air turbine suspension kit

USES

- Used to mount De-stratification Fan/Air turbine into a 2'x2' suspended ceiling grid

ATTRIBUTES AND CHARACTERISTICS

- Easy installation
- Unobtrusive design
- The attached dome separates the Air Pear Thermal Equalizer from the air space (plenum) above the ceiling grid. Only the conditioned air in the room below the unit is mixed

SELECTION

- Works with Air Pear models 10, 15, 25 and 45
- Can be used in suspended ceilings where a typical ceiling fan would be impractical
- Mounting height up to 45 feet
- Contact manufacturer for a selection consultation

SUSTAINABILITY

- Made from recyclable materials
- Recyclable corrugated packaging

CODE APPROVAL

- 5VA flame resistance rating

PERFORMANCE

- Performance and results of the Air Pear are subject to many variables such as, but not limited to, the interior environment, exterior environment, conditions of building structure, HVAC system performance and/or electrical service and thus actual results may vary

SHIPPING & HANDLING

- Product will ship based on availability, contact manufacturer or reseller
- All products are shipped FOB factory

WARRANTY

- Warranty offered - 3-years from shipping date
- Money back guarantee - 30 days

LIMITATIONS

- Do not install in environments open to the elements (Contact manufacturer)

SAFETY PRECAUTIONS

- Seismic restraint points for earthquake codes provided
- Never stick your hands into the nozzle of an Air Pear unit

AVAILABILITY

- Available across North, Central, and South America
- Available across UK, EU, and Middle East
- Available across Mediterranean
- Available across Oceania

COST

- Consult manufacturer sales offices or reseller for specific product costs



S/C KIT PROPERTIES

MATERIALS, DIMENSIONS & PROPERTIES

| HOUSING | Weight: | 7 lbs (3.2 kgs) |
|-------------------------------|----------------|--------------------|
| | Height to Rim: | 10.5 in (267 mm) |
| GRILL | Length: | 23.6 in (601 mm) |
| | Width: | 23.6 in (601 mm) |
| GRILL EXTENSION below plate: | | 2.25 in (57.15 mm) |
| Short unit adds to height: | | 4 in (102 mm) |
| Standard unit adds to height: | | 7 in (178 mm) |

- Proudly made in the USA
- Constructed from recyclable materials
- Fire rated 5VA materials
- Suspended Ceiling kit comes with three elements:
 - Face Plate* with grill [24" x 24"]
 - Dome* {17 1/4" diameter (includes screw tabs) x 10" height}
 - Four philips screws 10/32 English x 5/8 inches

ACCESSORIES & OPTIONS

- Colors: PMS Cool Grey 2C or PMS Grey 432C

S/C KIT PLACEMENT

PREPARATION

- Install electrical circuit(s) and outlet(s) in accordance with national and local electric codes
- Wall switch may be installed in circuit to disable power and prevent electrical hazards when servicing
- Confirm electrical continuity of Air Pear on the ground before permanently mounting in the ceiling

INSTALLATION

- Floor plans, mezzanines, office locations, machinery, people placement, plumbing, lighting, duct work, electrical systems, natural light/air systems, cranes, doors, windows, ventilation and fire suppression systems are all factors in properly locating the Air Pear system within the ceiling

OPERATION

- Designed to operate 24 hours-a-day, 7 days-a-week to maintain thermal equalization/humidity equalization

MAINTENANCE

- Frequency of cleaning will vary by application and environment
- You may clean the plastic housing with a damp warm cloth, using mild household detergents
- Do not use petroleum products, thinners or solvents to clean any part of the Air Pear
- If the Air Pear Suspended system fails, contact manufacturer

MANUFACTURER & RESELLERS

- USA and International:
AIRIUS, LLC (Manufacturer)
811 South Sherman Street
Longmont, Colorado 80501 - USA
Telephone: 303.772.2633
Fax: 303.772.8276
Web: www.theairpear.com
- UK/Europe/Middle East:
AIRIUS Europe Ltd. (Exclusive Importer)
57 Wimborne Road, Bournemouth,
Dorset BH3 7AL - UK
Telephone: (44) 1202 554200
Fax: (44) 1202 554396
Web: www.airius.co.uk

CLASSIFICATION

- MasterFormat: HVAC Axial Fans - 23 34 13
Ceiling Fans - 11 34 00
Air Curtains - 23 34 33
Commercial Ceiling Fans - 23 34 70

May be covered by one or more of the following United States Patents: 7,381,129 B2; D514688 and other patents pending

AIRIUS®, AIR PEAR®, and THE THERMAL EQUALIZER® are trademarks of Airius LLC, registered in the U.S. and in some countries abroad. Other trademarks pending in the U.S. and abroad

Airius LLC, ©2011. All Rights Reserved.

