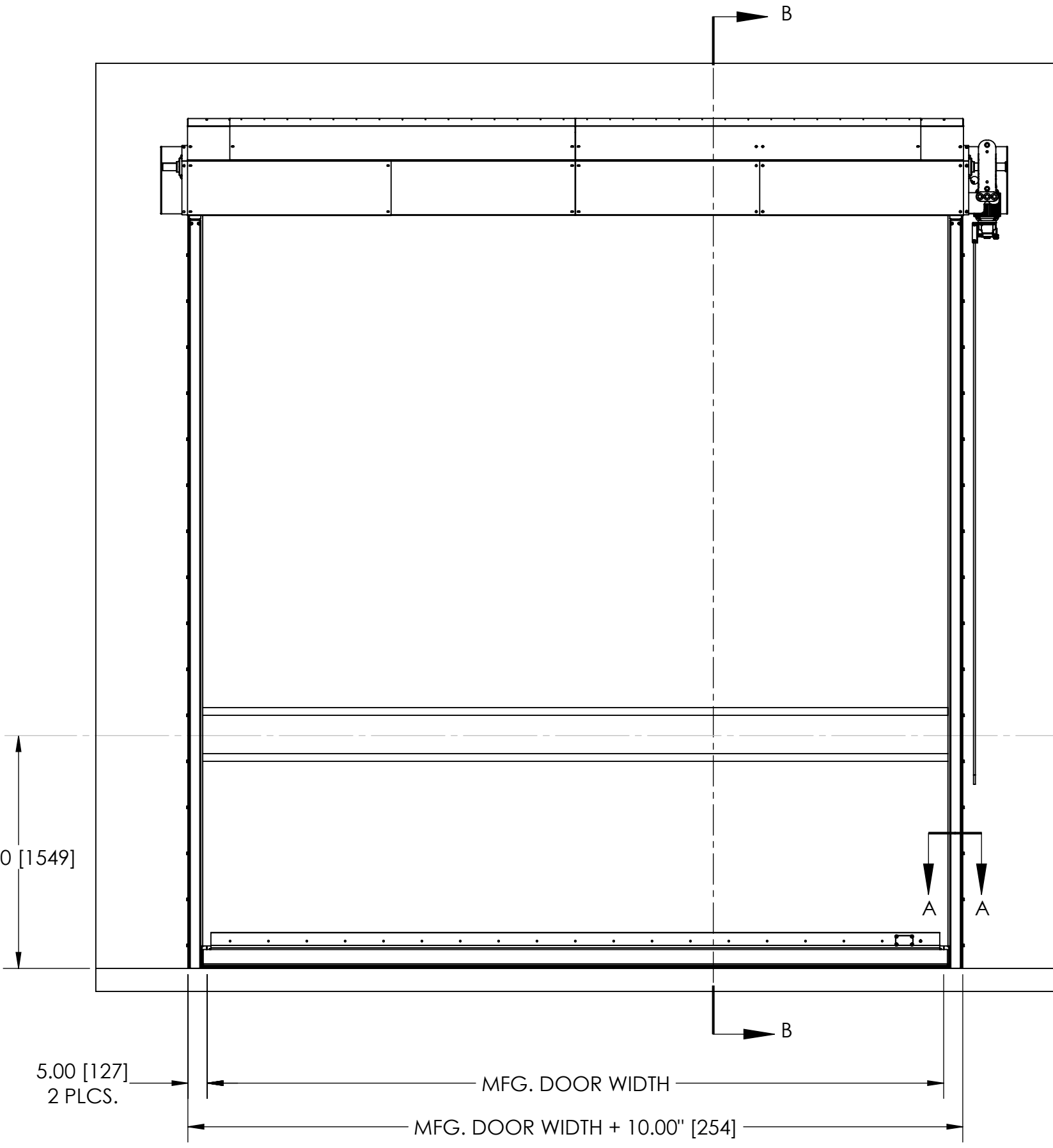


TOP VIEW

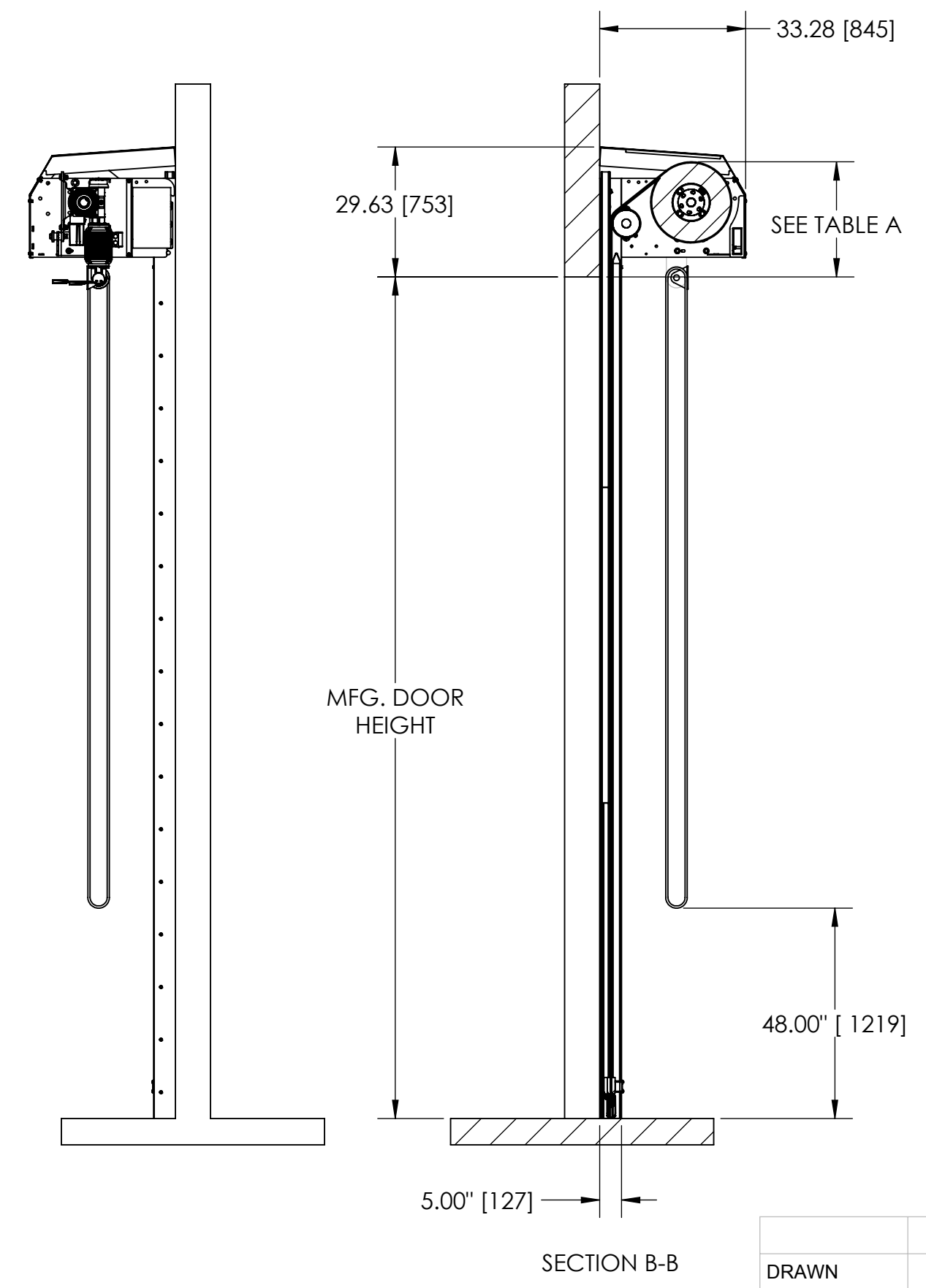


FRONT VIEW

RECOMMENDED FOR MAINTENANCE
REQUIRED FOR COVERS

TABLE "A"

MFG. DOOR HEIGHT	DIM. A
8'-0"	22.94" [582]
10'-0"	23.30" [592]
12'-0"	23.66" [601]
14'-0"	23.98" [609]
16'-0"	24.30" [617]
18'-0"	24.61" [625]
20'-0"	24.92" [633]
22'-0"	25.21" [640]
24'-0"	25.47" [647]
26'-0"	25.75" [654]
28'-0"	26.00" [660]
30'-0"	26.25" [667]
32'-0"	26.48" [673]
35'-0"	26.81" [681]



SPRINGLESS UP TO 30'-0" X 35'-0"

PROPRIETARY AND CONFIDENTIAL
THE INFORMATION CONTAINED IN THIS DRAWING IS THE SOLE PROPERTY OF ASSA ABLOY ENTRANCE SYSTEMS. REPRODUCTION IN PART OR AS A WHOLE WITHOUT WRITTEN PERMISSION IS PROHIBITED.

CUSTOMER:						
LOCATION:						
SALESMAN / DEALER:						
DO NOT SCALE DRAWING	REV.	BY.	ZONE	DESCRIPTION	DATE	APP'D
REVISIONS						

DRAWN	DATE	NAME	ALBANY ASSA ABLOY
CHECKED			
ENG APPR.			
TITLE: RAPID ROLL 1000			DRAWING No. RAPID ROLL 1000
PROJECT:			
CLIENT:			SCALE: N.T.S
CREATED IN SOLIDWORKS			SHEET 1 OF 1