

High Speed Door Albany RR3000

ASSA ABLOY

ASSA ABLOY Entrance Systems

The global leader in
door opening solutions

Sophisticated style,
superior performance





The Albany RR3000 delivers security, style and smooth, easy operation with fast opening speeds of up to 80" per second. The Albany RR3000 Vision features an elegant design with clear vision panels that deliver natural daylight. The Albany RR3000 Hurricane is solid and safe, proven to stand up against extreme winds and weather for HVHZ (high velocity hurricane zone) applications.



With bold, sleek styling, the Albany RR3000 is constructed of low-profile, anodized, double-walled aluminum for durability, security and smooth performance. Rapid opening speeds and innovative mechanical design lets traffic and materials get in and out quickly, easily and safely, without waiting for the door to open or close.



Increase speed and performance, lower energy costs

One of the primary benefits of door automation is the assurance that doors are never left open. Combine that with opening speeds of up to 80" per second and an ultra-tight, no leak perimeter seal for reduced air infiltration when the door is closed. Plus the double walled aluminum slats create a door panel that can withstand wind speeds of up to 90 mph, for even greater protection against weather. These innovative design factors help cut energy costs right away.



Albany RR3000 Vision

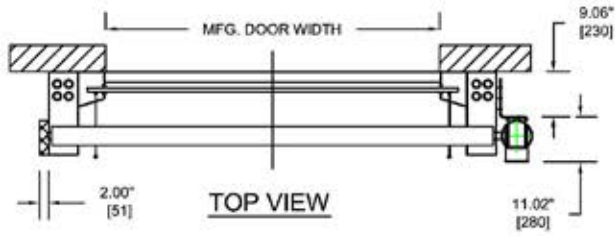
The clear impact-resistant polycarbonate slats on the Albany RR3000 Vision door panel let in plenty of daylight for additional energy savings. Natural light creates a warm, high quality environment for both employees and customers. Plus, the vision panels provide a clear view of traffic on both sides of the door for increased safety.

Protect Vehicles, Equipment and People

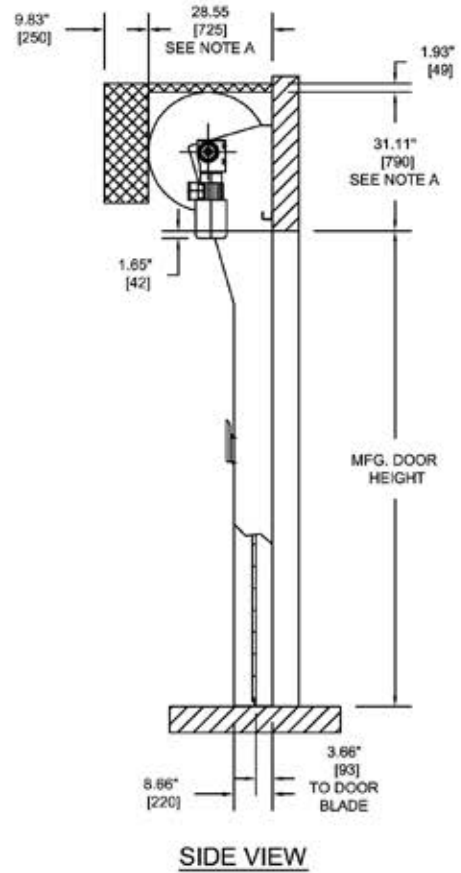
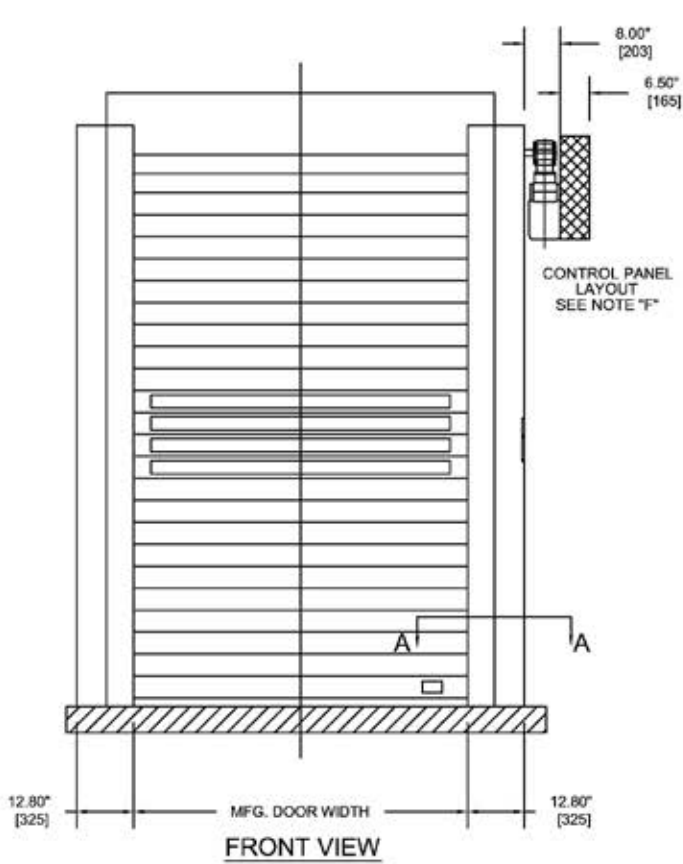
All Albany RR3000 doors are equipped with a safety light curtain that virtually eliminates the risk of injury or damage. This safe, intuitive technology automatically detects objects in the doorway and immediately opens the door, protecting people and vehicles.

Albany RR3000 Hurricane

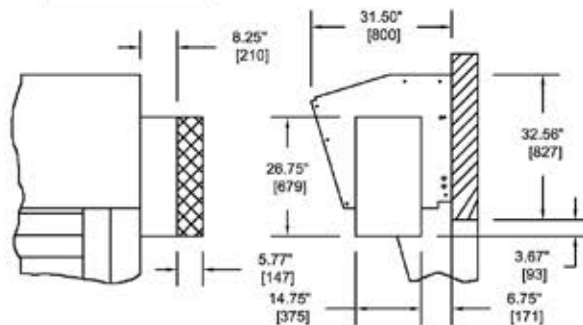
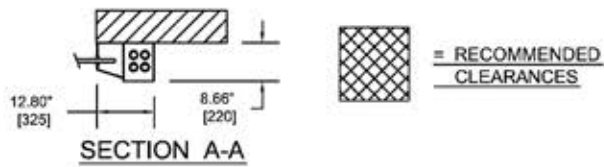
When safety from wind resistance is critical, the Albany RR3000 Hurricane is essential. The heavy-duty, secure design is certified for HVHZ (high velocity hurricane zone) applications, allowing the Albany RR3000 Hurricane to resist winds of up to 188mph.



Typical drawing shown for Albany RR3000 over 10 ft. high.
Consult factory for individual door details.



$DW \leq 16.00'$ & $DH > 9.63'$ [2935]



Technical Information

Door Dimensions

Maximum Width - Albany RR3000	23 ft (7,010 mm)
Maximum Width - Albany RR3000 Hurricane & RR3000 Vision	16 ft (4,877 mm)
Minimum Width	6 ft (1,829 mm)
Maximum Height	16 ft (5,000 mm)
Minimum Height	6 ft (1,829 mm)

Speeds

Opening Speed	up to 80 in/sec
Closing Speed	approximately 24 in/sec

Door Curtain Construction

Anodized Aluminum Slats	EPDM rubber connection
UltraLife Belts	No hinges or rollers. Door continues to operate when slat is missing
Counterbalanced	Standard
Vision Panels	Optional
Insulated Panels	Optional
Ventilated Panels	Optional

Door Components

Side Frames - Albany RR3000 & RR3000 Vision	11 gauge galvanized steel
Side Frames - Albany RR3000 Hurricane	powder coated steel
Manual Release	Standard
Disc Drive	Reduces wear, vibration and noise
Top Roll	Powder coated steel

Control and Drive System

Control Panel	Albany MCC Controller
Input Voltage	208-240 V, 440-480 V, 575-600 V
Motor	1.5Hp, 3 phase, 50/60 Hz
Limits Adjustments	At keypad interface
Protection	NEMA-4

We offer various options and actuation devices for all Albany products



Patented LiftBelt Technology

Individual slats are mounted to a high-strength belt with no hinge connections or rollers. Slats can be replaced quickly and easily while the door remains operational.



Stack-Free Disc Drive Design

Patented design reduces wear, vibration and noise.



Light Curtain

Smart safety system eliminates contact with objects in doorway.

ASSA ABLOY Entrance Systems is a leading supplier of entrance automation solutions for efficient flow of goods and people. With our globally recognized product brands Besam, Crawford, TKO, Albany and Megadoor, we offer products and services dedicated to satisfying end-user needs for safe, secure, convenient and sustainable operations. ASSA ABLOY Entrance Systems is a division within ASSA ABLOY.

ASSA ABLOY

assaabloyentrance.us • assaabloyentrance.ca



© ASSA ABLOY Entrance Systems AB/PLRR3000/USA.EN-1.0/1410 Technical data subject to change without notice.



ASSA ABLOY Entrance Systems

Tel: 1-800-252-2691
info.na.aaes@assaabloy.com
assaabloyentrance.us • assaabloyentrance.ca

Follow us:



Please enter ASSA ABLOY Entrance in the channel's search field.