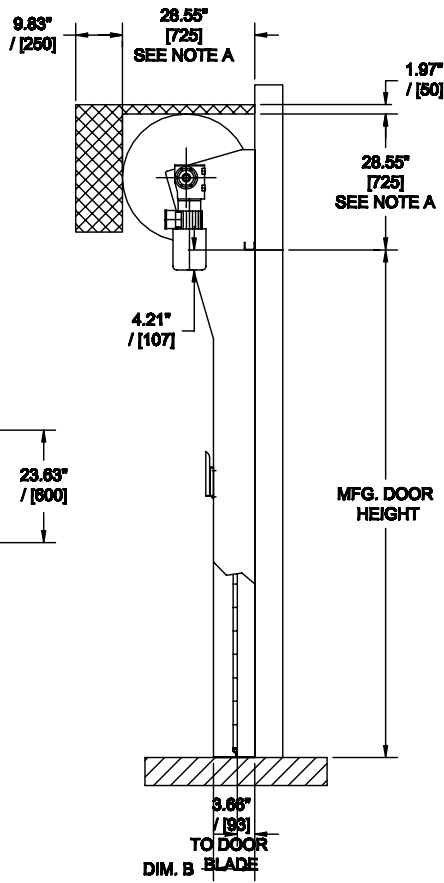
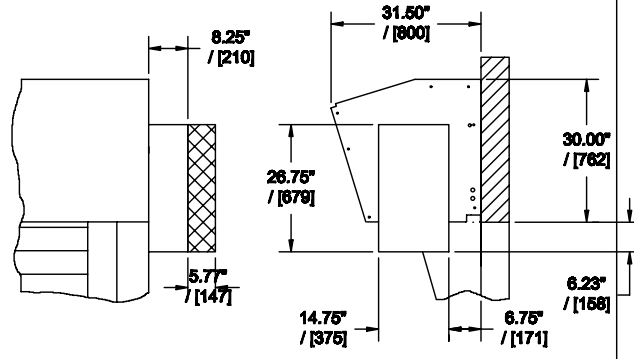


 = RECOMMENDED CLEARANCES



NOTE:
 A. IF MFG. DOOR HEIGHT IS $\leq 10'-8"$ [3250] THEN DIMENSION = 27.56" [700]. FOR DOOR WITH FULL ROLL COVER SEE ROLL COVER SPACE REQUIREMENTS DETAIL.
 B. DOORS $< 82-1/2"$ [2500] AVAILABLE WITH FULL ROLL COVERS ONLY
 C. RH DRIVE SIDE SHOWN, LH OPPOSITE
 D. FOR STANDARD RR3000 WINDOW CONFIG. PLEASE REFER TO WINDOW CONFIGURATION CHART #RR3000-002
 E. WIDTH GAUGE SUPPORT BRACKET ATTACHMENT MAYBE REQUIRED DEPENDING ON DOOR WIDTH.



ROLL & MOTOR COVER SPACE REQ.


OPENING SIZE	W=	H=
MFG. DOOR SIZE	W=	H=
PRIMARY VOLTAGE	208-240	440-480 575-600
DRIVE SIDE - (RH / LH)	WINDOWS - (YES / NO)	
INSULATED PANELS (YES / NO)	POWDER COATED PAINT (RAL# / NO)	
DOOR ACTUATORS (QUANTITY)	PUSHBUTTON	<901>
	PULL SWITCH	<911>
	FLOOR LOOP	<930>
	PHOTOCELLS	THRU BEAM <940> REFLECTIVE <941>
	MOTION DETECTOR	<950>
	RADIO RECEIVER	<925>

COMMENTS:

TABLE "A"

DOOR HEIGHT	DIM. A	DIM. B
DW < 17'-5" [5309]	12.80" [325]	8.66" [220]
DW ≥ 17'-5" [5309]	14.69" [373]	10.90" [270]

DH > 9.84' [3000] CLEARANCE DRAWING

CUSTOMER:	APPROVED BY:	
LOCATION:	APPROVED WITH CHANGES BY:	
SALESMAN / DEALER:	DATE:	SCALE = N.T.S.
DESCRIPTION:		ULTRA SECURE APPROVAL
DRAWING NO:		
Rev	Change	
ULTRA SECURE-001		DESIGNER: J. REITZ
		DATE: 12/07/2007