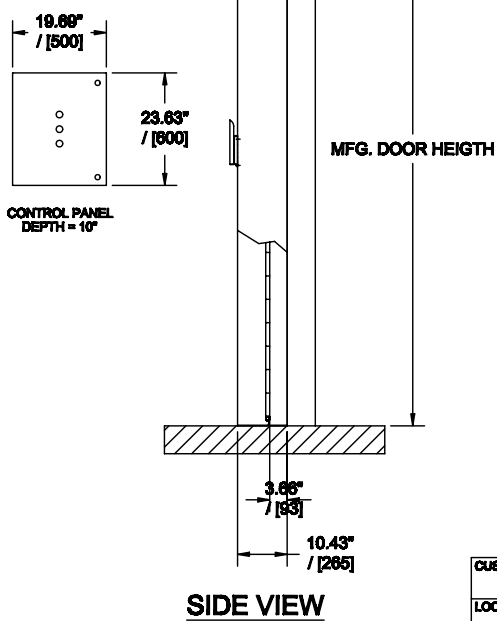
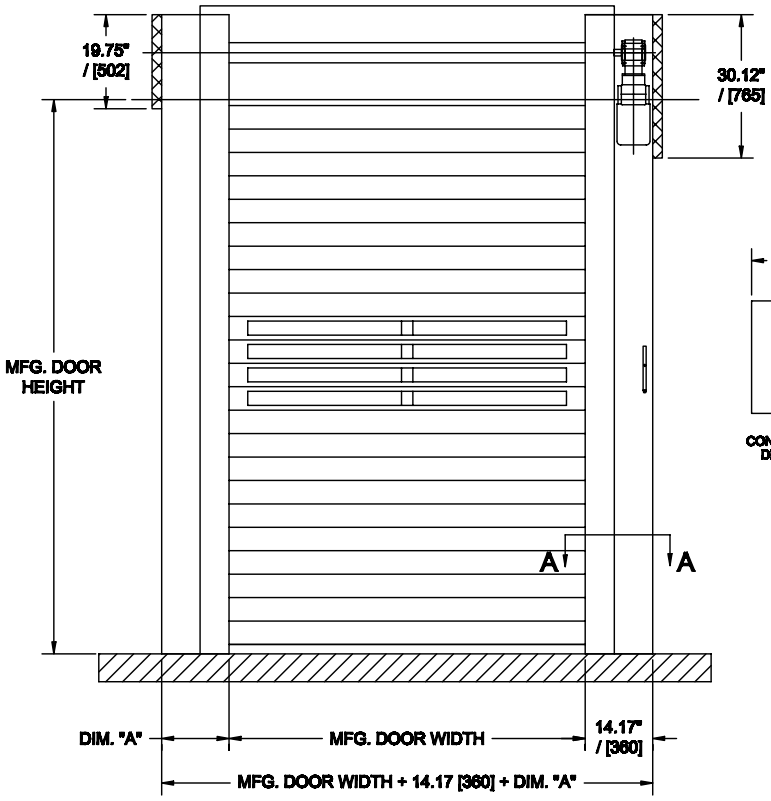
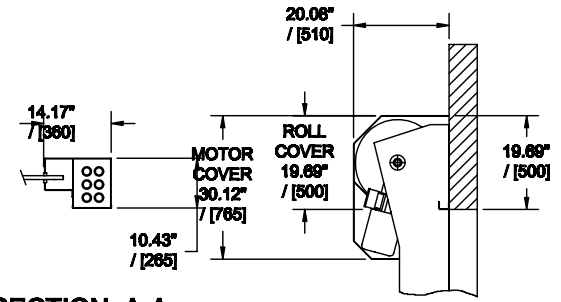


NOTE:
 A. DOORS <8'-1/2" [2500] AVAILABLE WITH FULL ROLL COVERS ONLY
 B. RH DRIVE SIDE SHOWN, LH OPPOSITE
 C. FOR WINDOW GONFIG. PLEASE REFER TO WINDOW CONFIGURATION CHART #RR3000-002
 D. WIDTH GAUGE SUPPORT BRACKET ATTACHMENT MAYBE REQUIRED DEPENDING ON DOOR WIDTH.



SECTION A-A DRIVE SIDE
ROLL COVER SPACE REQUIREMENTS

TABLE "A"

| MFG. DOOR WIDTH | DIM. "A" |
|----------------------------------|--------------|
| MFG. DOOR WIDTH <= 12'-5" [3800] | 8.66" [220] |
| MFG. DOOR WIDTH > 12'-5" [3800] | 14.17" [360] |

| OPENING SIZE | W= | H= |
|-----------------------------|---------------------------------|-------------------------------------|
| MFG. DOOR SIZE | W= | H= |
| PRIMARY VOLTAGE | 208-240 | 440-480 575-600 |
| DRIVE SIDE - (RH / LH) | WINDOWS - (YES / NO) | |
| INSULATED PANELS (YES / NO) | POWDER COATED PAINT (RAL# / NO) | |
| DOOR ACTUATORS (QUANTITY) | PUSHBUTTON | <901> |
| | PULL SWITCH | <911> |
| | FLOOR LOOP | <930> |
| | PHOTOCELLS | THRU BEAM <940> REFLECTIVE <941> |
| | MOTION DETECTOR | <950> |
| | RADIO RECEIVER | <925> |

COMMENTS:

= RECOMMENDED CLEARANCES

DH <= 9.84' [3000] CLEARANCE DRAWING

| | | | | | | |
|--------------------|---------------------------|------------------------------|------|-------------------------------------|---------------------------|-------------------------|
| CUSTOMER: | APPROVED BY: | | | | | |
| LOCATION: | APPROVED WITH CHANGES BY: | | | | | |
| SALESMAN / DEALER: | DATE: | SCALE = N.T.S. | | | | |
| DESCRIPTION: | | ULTRA SECURE APPROVAL | | | | |
| DRAWING NO: | | | | | | |
| Rev | Change | Date | Name | DRAWING NO: ULTRA SECURE-002 | DESIGNER: J. REITZ | DATE: 12/07/2007 |