

BALDOR® • **RELIANCE**

Product Information Packet

BL3510

1HP,1725RPM,1PH,60HZ,56,3524L,TEFC,F1,BR

Part Detail							
Revision:	AL	Status:	PRD/A	Change #:		Proprietary:	No
Type:	AC	Prod. Type:	3524L	Elec. Spec:	35WGX945	CD Diagram:	CD0001
Enclosure:	TEFC	Mfg Plant:		Mech. Spec:	35C022	Layout:	35LYC022
Frame:	56	Mounting:	F1	Poles:	04	Created Date:	
Base:	RG	Rotation:	R	Insulation:	F	Eff. Date:	09-10-2013
Leads:	6#18					Replaced By:	
Literature:		Elec. Diagram:					

Nameplate NP1256L							
CAT.NO.	BL3510						
SPEC.	35C22X945-B						
HP	1						
VOLTS	115/230						
AMP	12.8/6.4						
RPM	1725						
FRAME	56	HZ	60	PH	1		
SER.F.	1.15	CODE	K	DES	L	CLASS	F
NEMA-NOM-EFF	68	PF	74				
RATING	40C AMB-CONT						
CC		USABLE AT 208V	7				
DE	6205	ODE	6203				
ENCL	TEFC	SN					

AC Induction Motor Performance Data

Record # 33217 - Typical performance - not guaranteed values

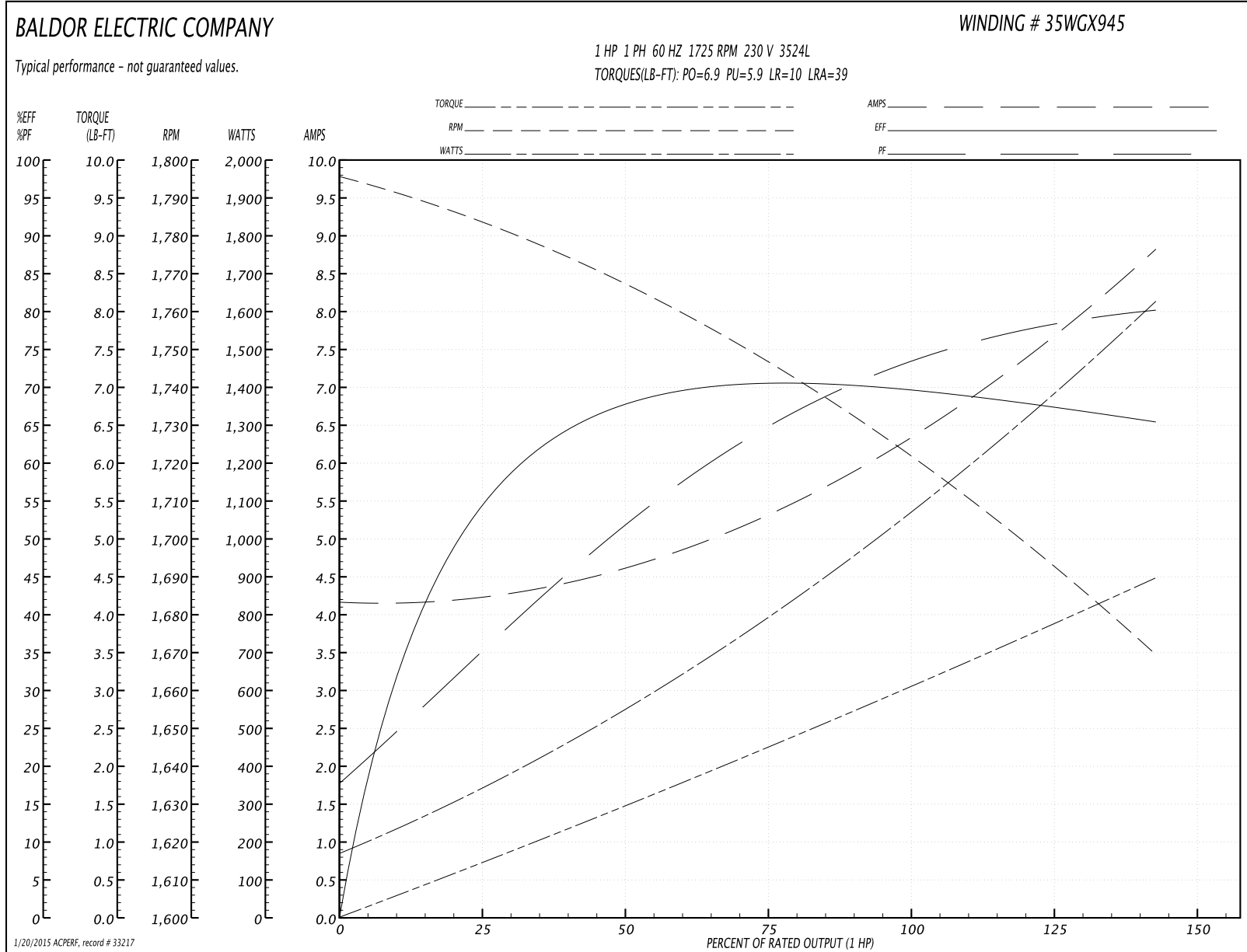
Winding: 35WGX945-R003	Type: 3524L	Enclosure: TEFC
-------------------------------	--------------------	------------------------

Nameplate Data				230 V, 60 Hz: High Voltage Connection	
Rated Output (HP)	1			Full Load Torque	3 LB-FT
Volts	115/230			Start Configuration	direct on line
Full Load Amps	12.8/6.4			Breakdown Torque	6.9 LB-FT
R.P.M.	1725			Pull-up Torque	5.9 LB-FT
Hz	60	Phase	1	Locked-rotor Torque	10 LB-FT
NEMA Design Code	L	KVA Code	K	Starting Current	39 A
Service Factor (S.F.)	1.15			No-load Current	4.1 A
NEMA Nom. Eff.	68	Power Factor	74	Line-line Res. @ 25°C	2.6 Ω A Ph 1.8 Ω B Ph
Rating - Duty	40C AMB-CONT			Temp. Rise @ Rated Load	79°C
S.F. Amps				Temp. Rise @ S.F. Load	96°C

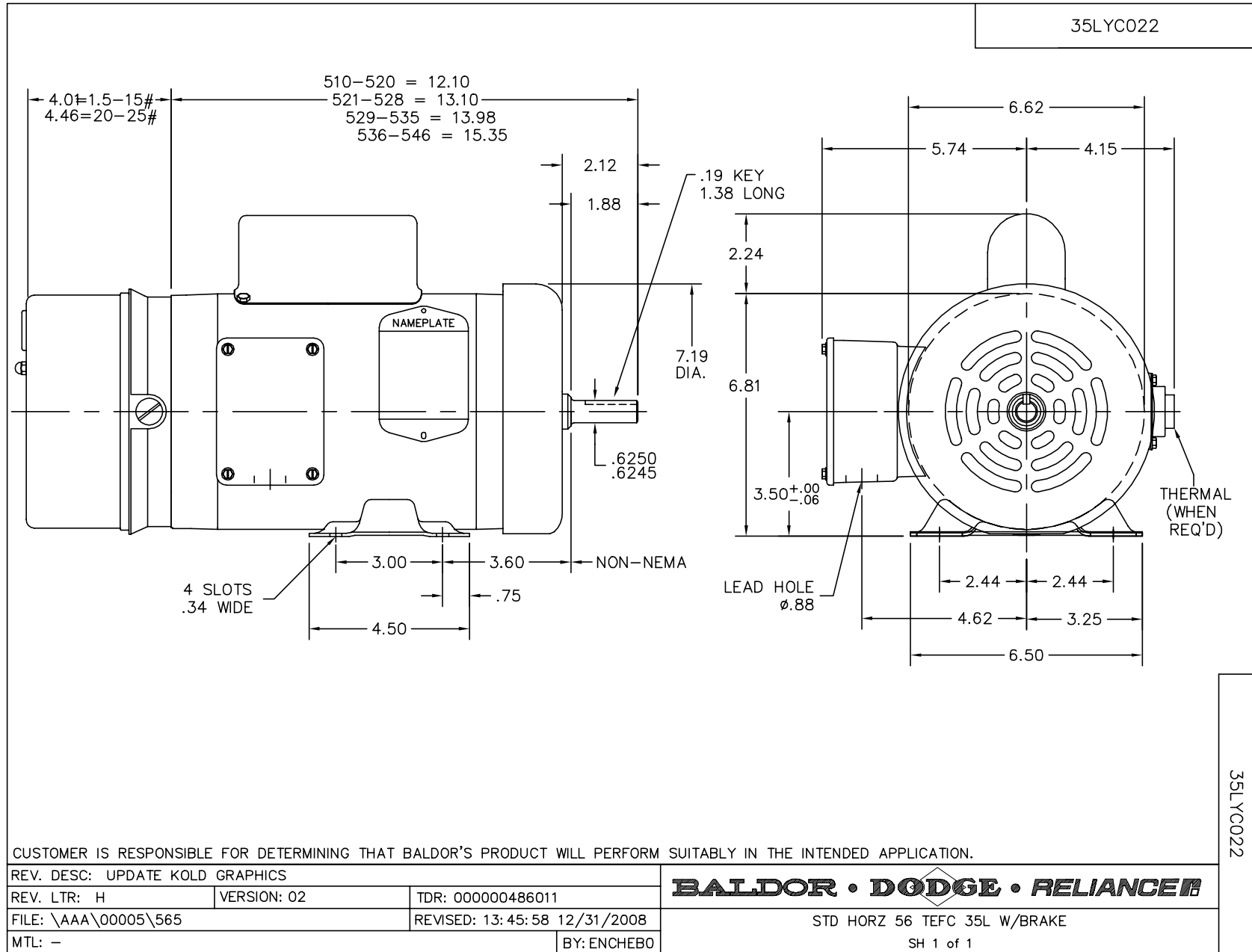
Load Characteristics 230 V, 60 Hz, 1 HP

% of Rated Load	25	50	75	100	125	150	S.F.
Power Factor	39	53	67	75	81	84	79
Efficiency	52.9	67.6	70	70.3	68.6	64.9	69.3
Speed	1781	1765	1746	1726	1701	1666	1711
Line amperes	4.3	4.7	5.3	6.2	7.4	8.9	6.9

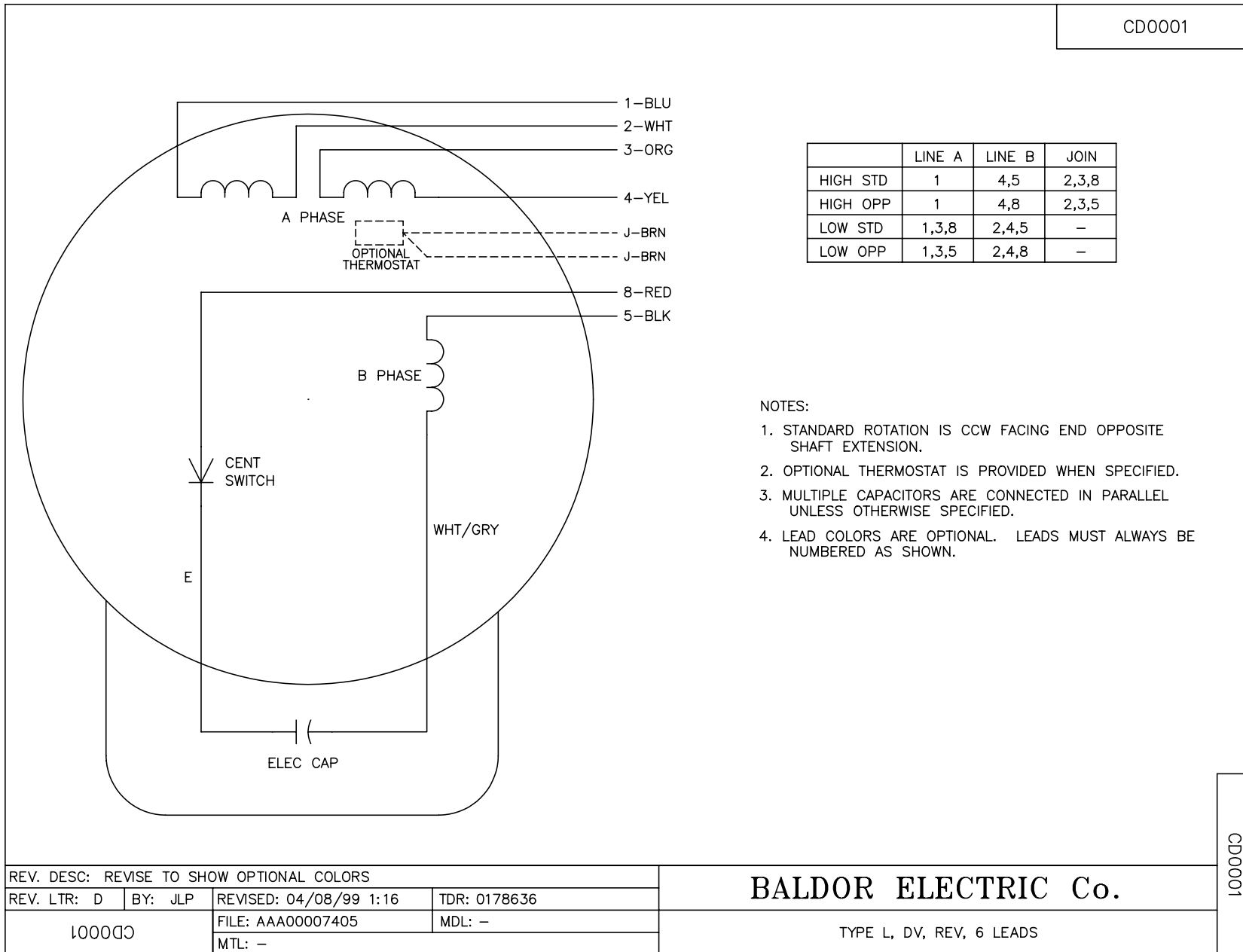
Performance Graph at 230V, 60Hz, 1.0HP Typical performance - Not guaranteed values



1/20/2015 ACPERF, record # 33217



CD0001



NOTES:

1. STANDARD ROTATION IS CCW FACING END OPPOSITE SHAFT EXTENSION.
2. OPTIONAL THERMOSTAT IS PROVIDED WHEN SPECIFIED.
3. MULTIPLE CAPACITORS ARE CONNECTED IN PARALLEL UNLESS OTHERWISE SPECIFIED.
4. LEAD COLORS ARE OPTIONAL. LEADS MUST ALWAYS BE NUMBERED AS SHOWN.

REV. DESC: REVISE TO SHOW OPTIONAL COLORS			
REV. LTR: D	BY: JLP	REVISED: 04/08/99 1:16	TDR: 0178636
100000		FILE: AAA00007405	MDL: -
		MTL: -	

BALDOR ELECTRIC Co.

TYPE L, DV, REV, 6 LEADS

CD0001