

BALDOR® • **RELIANCE**

Product Information Packet

BM3538-S

.5HP,1740RPM,3PH,60HZ,56,3511M,TEFC,F3,B

Part Detail							
Revision:	C	Status:	PRD/A	Change #:		Proprietary:	No
Type:	AC	Prod. Type:	3511M	Elec. Spec:	35WGP864	CD Diagram:	CD0005
Enclosure:	TEFC	Mfg Plant:		Mech. Spec:	35X053	Layout:	35LYX053
Frame:	56	Mounting:	F3	Poles:	04	Created Date:	06-01-2011
Base:	RG	Rotation:	R	Insulation:	F	Eff. Date:	07-02-2013
Leads:	9#18					Replaced By:	
Literature:		Elec. Diagram:					

Nameplate NP1372L									
CAT.NO.	BM3538-S								
SPEC.	35X053P864G1								
HP	.5								
VOLTS	208-230/460								
AMP	2.42-2.24/1.12								
RPM	1740								
FRAME	56	HZ	60	PH	3				
SER.F.	1.15	CODE	M	DES	B	CL	F		
NEMA-NOM-EFF	72	PF	58						
RATING	40C AMB-CONT								
CC	USABLE AT 208V								
DE	6205	ODE	6205						
ENCL	TEFC	SN							
	IP22, BRK 3 FT-LB								

Parts List		
Part Number	Description	Quantity
SA224447	SA 35X053P864G1	1.000 EA
RA211558	RA 35X053P864G1	1.000 EA
S/P111-000-002	CORONA TEST, SUPER E MOTORS - FT. SMITH	1.000 EA
NS2512A01	INSULATOR, CONDUIT BOX X	1.000 EA
35CB4007	KOBX, AUTOPHORETIC (REL# 79097-49-C)	1.000 EA
35GS3009	GASKET, KOBX 35CB4006 (411881-15A)	1.000 EA
WD4101A13	STEEL CAPLUG,BP-1 1/8, PLUG D3561S	1.000 EA
51XB1016A05	10-16X5/16HX WA SL SR TYB (F/S)	2.000 EA
11XW1032G06	10-32 X .38, TAPTITE II, HEX WSHR SLTD U	1.000 EA
HW5100A05	WVY WSHR F/205 & 304 BRGS	1.000 EA
35EP3101A02SP	STD PU ENDPLATE-ENCL-205 BRG LESS GREASE	1.000 EA
HW1001A10	WASHER, #10 SPLT LK, ZN X	4.000 EA
XY1032A02	10-32 HEX NUT DIRECTIONAL SERRATION	4.000 EA
BR2003D01	SPLINED HUB 7/8 W/O KEY	1.000 EA
HW2501D13SP	KEY, 3/16 SQ X 1.375	1.000 EA
35FN3003A02	EXFN, PLASTIC, 5.88 OD, .876 ID (REL)	1.000 EA
35FH4007A01	FAN CVR SSB (REL# 60200449A)	1.000 EA
51XW1032A06	10-32 X .38, TAPTITE II, HEX WSHR SLTD S	4.000 EA
35CB4519	CB LID RAW & UNPRIMED, REL# 79097-50-B	1.000 EA
35GS3019	GASKET, FOR KOBX LID 35CB4519	1.000 EA
51XW0832A07	8-32 X .44, TAPTITE II, HEX WSHR SLTD SE	4.000 EA
WD4006A01	WIRE JOINT,T&B RB-4 OR RB-44	1.000 EA
HW2501D13SP	KEY, 3/16 SQ X 1.375	1.000 EA
HA7000A01	KEY RETAINER 7/8" DIA SHAFT	1.000 EA

Parts List (continued)		
Part Number	Description	Quantity
85XU0407S04	4X1/4 U DRIVE PIN STAINLESS	2.000 EA
LB1418	INTEGRAL BRK ADJ LABEL (REL# 41171617A)	1.000 EA
MJ1000A75	GREASE, POLYREX EM EXXON (USe 4824-15A)	0.050 LB
MG1000N49	MUNSELL 8.5BG 3.57/2.0, GLOSS 30, B/G,	0.017 GA
HA3100A37	THRUBOLT 10-32 X 8.500	4.000 EA
43BK0100B02	SSB-3-230/460 (205) L HUB	1.000 EA
LB1424A02	BRAKE VOLT LABEL 230/460V SSB	1.000 EA
LB1119N	WARNING LABEL	1.000 EA
LB1125C01	STD (STOCK) CARTON LABEL BALDOR WITH FLA	1.000 EA
LC0005	CONN.DIA.,TY M,9-LD,DUAL VOLT,REVERSING	1.000 EA
LB1419	CONNECTION LABEL	1.000 EA
MN416A01	TAG-INSTAL-MAINT no wire (1200/bx) 10/13	1.000 EA
NP1372L	ALUM UL CSA CE CC	1.000 EA
36PA1000	PACK GROUP W/LB5001	1.000 EA
LB1506	LABEL "AMERICAN MADE" 1.50 X 1.00	1.000 EA

AC Induction Motor Performance Data

Record # 36576 - Typical performance - not guaranteed values

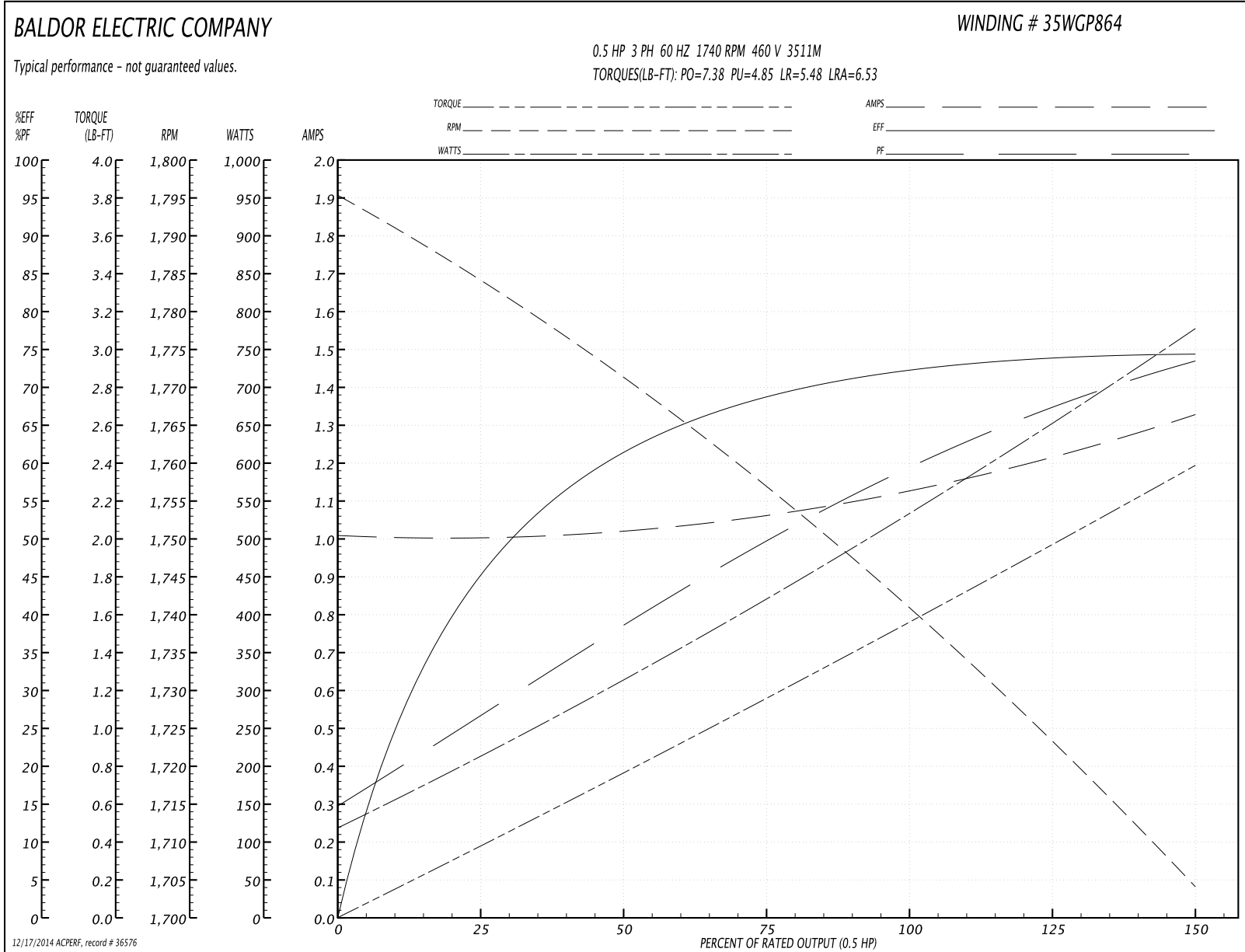
Winding: 35WGP864-R003	Type: 3511M	Enclosure: TEFC
-------------------------------	--------------------	------------------------

Nameplate Data				460 V, 60 Hz: High Voltage Connection	
Rated Output (HP)	.5			Full Load Torque	1.52 LB-FT
Volts	208-230/460			Start Configuration	direct on line
Full Load Amps	2.42-2.24/1.12			Breakdown Torque	7.38 LB-FT
R.P.M.	1740			Pull-up Torque	4.85 LB-FT
Hz	60	Phase	3	Locked-rotor Torque	5.48 LB-FT
NEMA Design Code	B	KVA Code	M	Starting Current	6.53 A
Service Factor (S.F.)	1.15			No-load Current	1.01 A
NEMA Nom. Eff.	72	Power Factor	58	Line-line Res. @ 25°C	39.6 Ω
Rating - Duty	40C AMB-CONT			Temp. Rise @ Rated Load	45°C
S.F. Amps				Temp. Rise @ S.F. Load	51°C
				Rotor inertia	0.065 LF ²

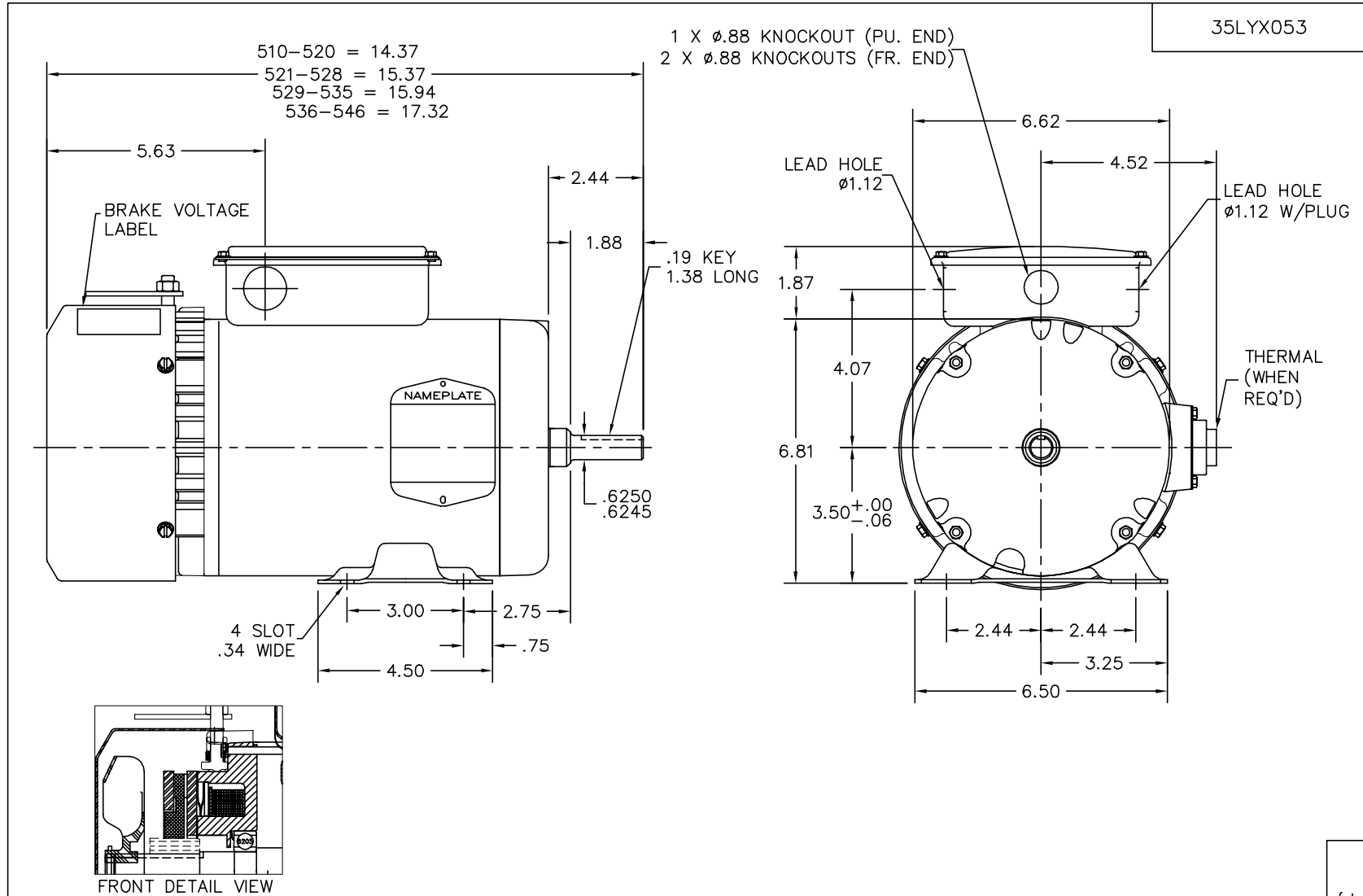
Load Characteristics 460 V, 60 Hz, 0.5 HP

% of Rated Load	25	50	75	100	125	150	S.F.
Power Factor	27	38	49	58	67	74	63
Efficiency	44.9	60.5	68.3	72.1	74	74.3	73.2
Speed	1785	1772	1758	1742	1726	1704	1732
Line amperes	1	1.02	1.06	1.12	1.2	1.33	1.17

Performance Graph at 460V, 60Hz, 0.5HP Typical performance - Not guaranteed values



12/17/2014 ACPERF: record # 36576



CUSTOMER IS RESPONSIBLE FOR DETERMINING THAT MOTOR PERFORMANCE IS SUITABLE IN THE APPLICATION.

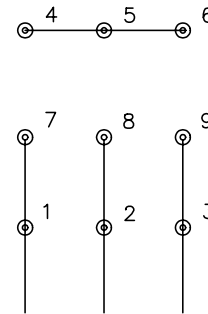
REV. DESC: NEW			BALDOR • DODGE • RELIANCE	
REV. LTR: -	VERSION: 00	TDR: 000000448538		
35LYX053	FILE: \AAA\00152\697	REVISED: 15:19:50 12/03/2007	HOR 56 TEFC M F3 W/DODGE SHORT SERIES, W/35CB4007	
	MTL: -	BY: ENALEMO		

35LYX053

CD0005

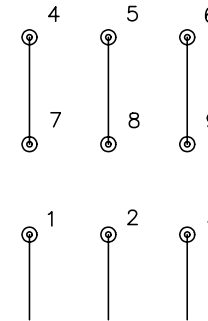


LOW VOLTAGE
(2Y)



LINE

HIGH VOLTAGE
(1Y)



LINE

NOTES:

1. INTERCHANGE ANY TWO LINE LEADS TO REVERSE ROTATION.
2. OPTIONAL THERMOSTATS ARE PROVIDED WHEN SPECIFIED.
3. ACTUAL NUMBER OF INTERNAL PARALLEL CIRCUITS MAY BE A MULTIPLE OF THOSE SHOWN ABOVE.
4. LEAD COLORS ARE OPTIONAL. LEADS MUST ALWAYS BE NUMBERED AS SHOWN.

REV. DESC: REVISE TO SHOW OPTIONAL COLORS			
REV. LTR: E	BY: JLP	REVISED: 01/19/99 10:15	TDR: 0171435
9000D		FILE: AAA00005140	MDL: -
		MTL: -	

BALDOR ELECTRIC Co.

3PH, DV, 9 LEADS

CD0005