

BALDOR® • **RELIANCE**

Product Information Packet

BM3546-S

1HP,1750RPM,3PH,60HZ,56,3516M,TEFC,F3,BR

Part Detail							
Revision:	N	Status:	PRD/A	Change #:		Proprietary:	No
Type:	AC	Prod. Type:	3516M	Elec. Spec:	35WGP674	CD Diagram:	CD0005
Enclosure:	TEFC	Mfg Plant:		Mech. Spec:	35X053	Layout:	35LYX053
Frame:	56	Mounting:	F3	Poles:	04	Created Date:	11-29-2007
Base:	RG	Rotation:	R	Insulation:	F	Eff. Date:	01-19-2015
Leads:	9#18					Replaced By:	
Literature:		Elec. Diagram:					

Nameplate NP1372L									
CAT.NO.	BM3546-S								
SPEC.	35X053P674H1								
HP	1								
VOLTS	208-230/460								
AMP	3.38-3.12/1.56								
RPM	1750								
FRAME	56	HZ	60	PH	3				
SER.F.	1.15	CODE	M	DES	B	CL	F		
NEMA-NOM-EFF	82.5	PF	73						
RATING	40C AMB-CONT								
CC	USABLE AT 208V								
DE	6205	ODE	6205						
ENCL	TEFC	SN							
	IP22, BRK 6 FT-LB								

AC Induction Motor Performance Data

Record # 25215 - Typical performance - not guaranteed values

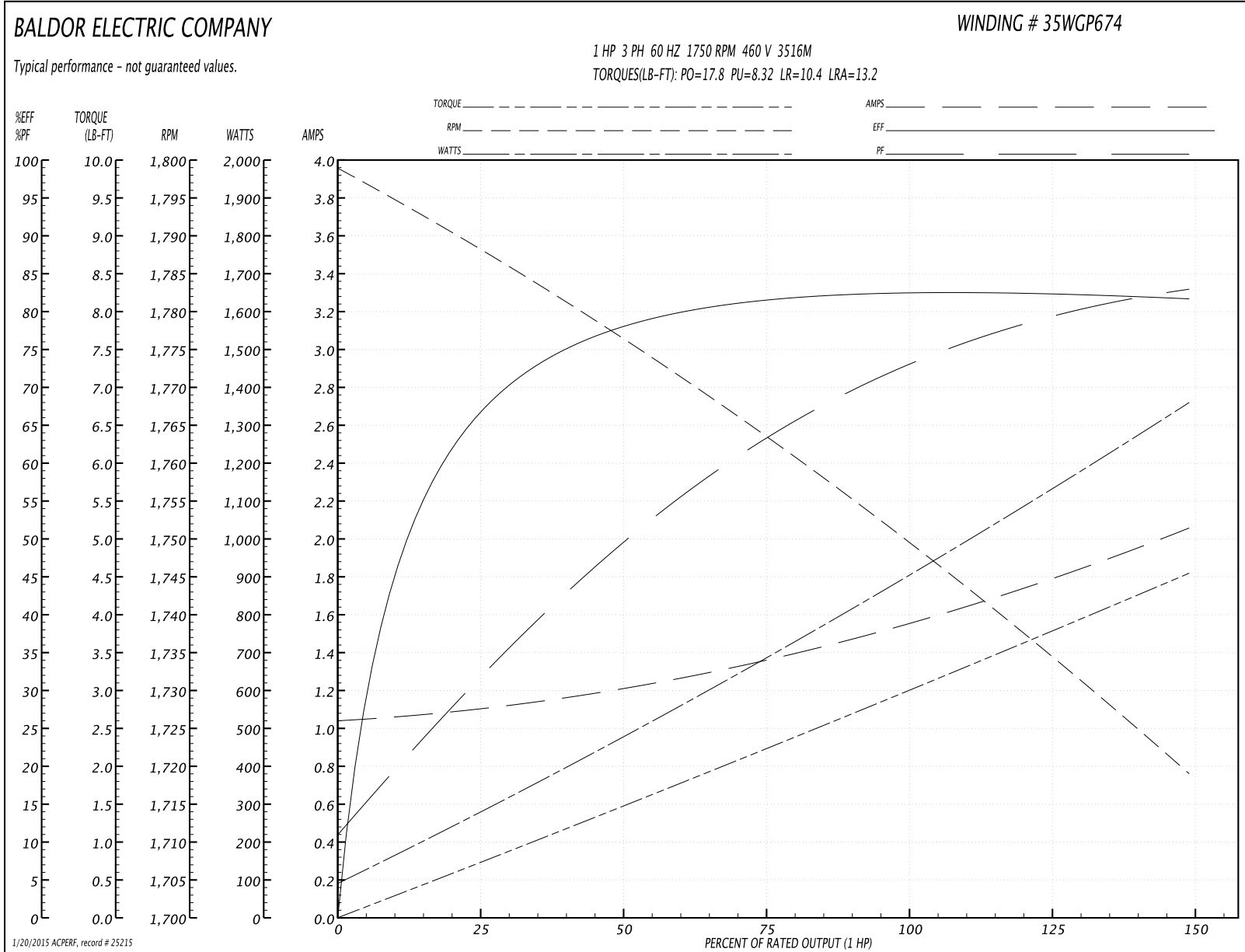
Winding: 35WGP674-R001	Type: 3516M	Enclosure: TEFC
-------------------------------	--------------------	------------------------

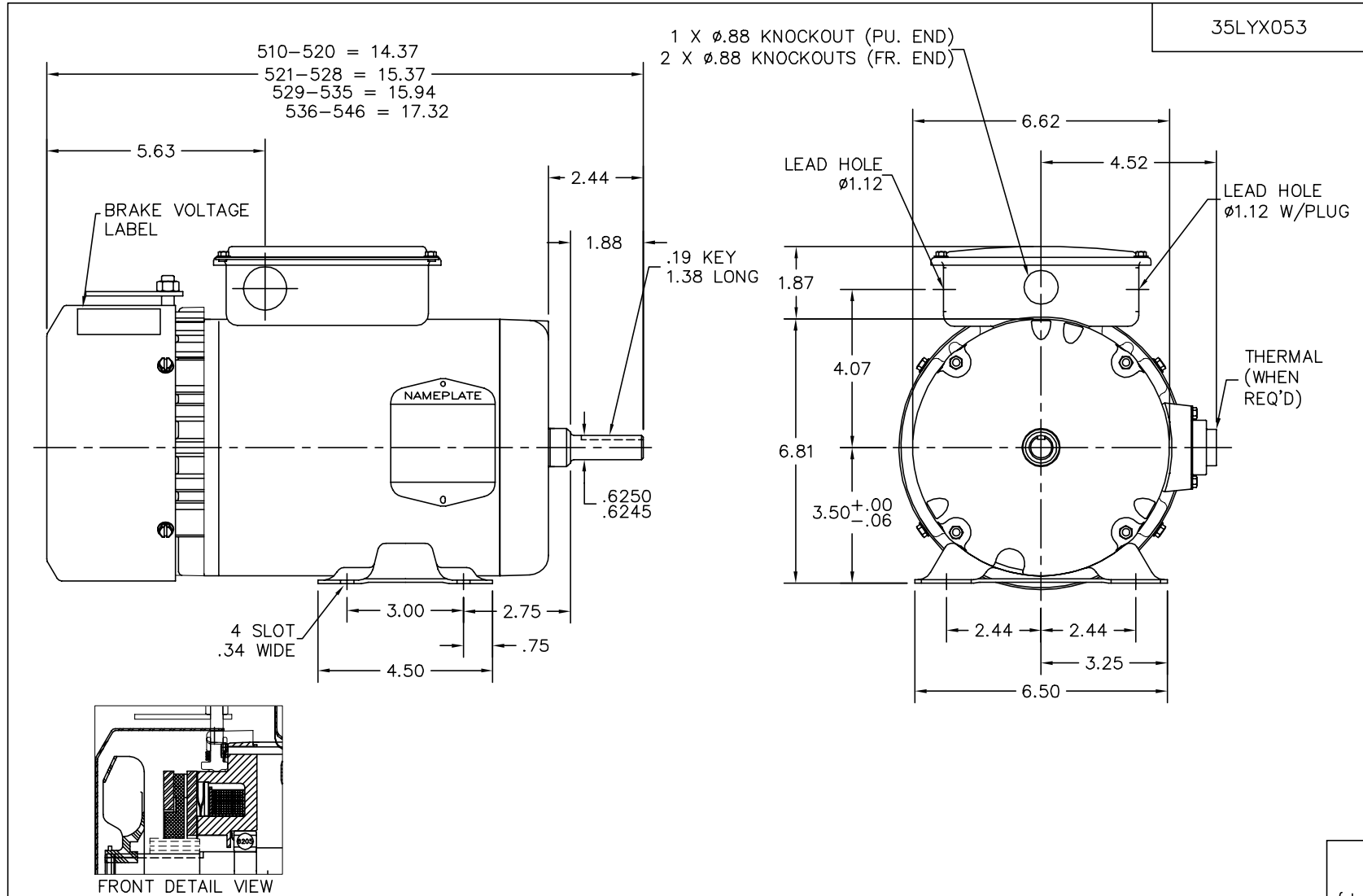
Nameplate Data				460 V, 60 Hz: High Voltage Connection	
Rated Output (HP)	1			Full Load Torque	2.99 LB-FT
Volts	208-230/460			Start Configuration	direct on line
Full Load Amps	3.38-3.12/1.56			Breakdown Torque	17.8 LB-FT
R.P.M.	1750			Pull-up Torque	8.32 LB-FT
Hz	60	Phase	3	Locked-rotor Torque	10.4 LB-FT
NEMA Design Code	B	KVA Code	M	Starting Current	13.2 A
Service Factor (S.F.)	1.15			No-load Current	1.04 A
NEMA Nom. Eff.	82.5	Power Factor	73	Line-line Res. @ 25°C	16.3 Ω
Rating - Duty	40C AMB-CONT			Temp. Rise @ Rated Load	41°C
S.F. Amps				Temp. Rise @ S.F. Load	50°C
				Rotor inertia	0.0946 LF ²

Load Characteristics 460 V, 60 Hz, 1 HP

% of Rated Load	25	50	75	100	125	150	S.F.
Power Factor	32	50	63	73	79	83	77
Efficiency	66.7	77.9	81.3	82.6	82.6	81.6	82.6
Speed	1788	1776	1764	1750	1735	1719	1741
Line amperes	1.11	1.2	1.36	1.56	1.77	2.06	1.69

Performance Graph at 460V, 60Hz, 1.0HP Typical performance - Not guaranteed values





CUSTOMER IS RESPONSIBLE FOR DETERMINING THAT MOTOR PERFORMANCE IS SUITABLE IN THE APPLICATION.

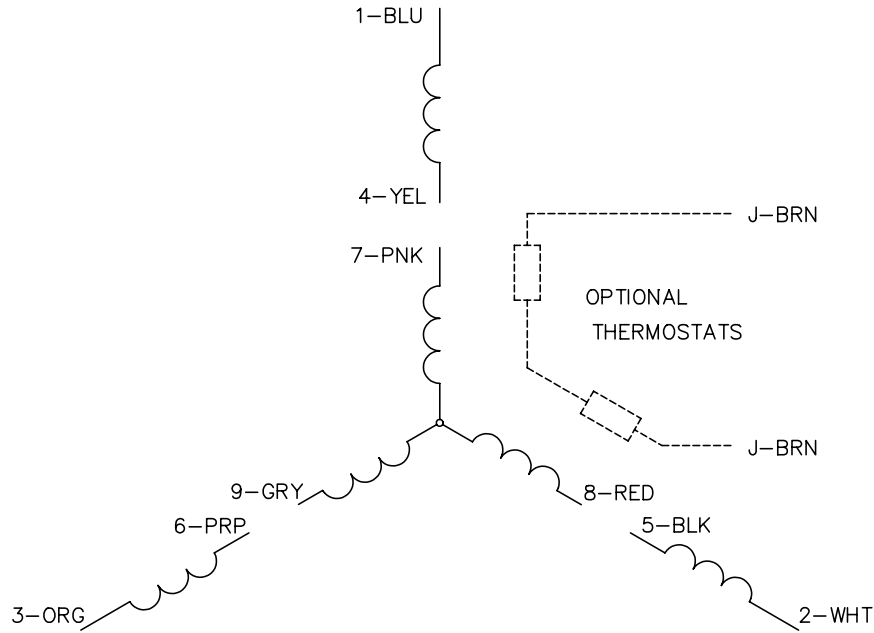
REV. DESC: NEW		
REV. LTR: -	VERSION: 00	TDR: 000000448538
Σ90X179C	FILE: \AAA\00152\697	REVISED: 15:19:50 12/03/2007
	MTL: -	BY: ENALEMO

BALDOR • DODGE • RELIANCE

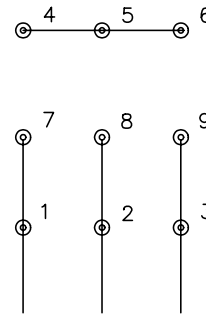
HOR 56 TEFC M F3 W/DODGE SHORT SERIES, W/35CB4007

35LYX053

CD0005

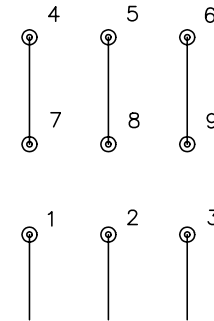


LOW VOLTAGE
(2Y)



LINE

HIGH VOLTAGE
(1Y)



LINE

NOTES:

1. INTERCHANGE ANY TWO LINE LEADS TO REVERSE ROTATION.
2. OPTIONAL THERMOSTATS ARE PROVIDED WHEN SPECIFIED.
3. ACTUAL NUMBER OF INTERNAL PARALLEL CIRCUITS MAY BE A MULTIPLE OF THOSE SHOWN ABOVE.
4. LEAD COLORS ARE OPTIONAL. LEADS MUST ALWAYS BE NUMBERED AS SHOWN.

REV. DESC: REVISE TO SHOW OPTIONAL COLORS			
REV. LTR: E	BY: JLP	REVISED: 01/19/99 10:15	TDR: 0171435
9000D		FILE: AAA00005140	MDL: -
		MTL: -	

BALDOR ELECTRIC Co.

3PH, DV, 9 LEADS

CD0005