

BALDOR® • **RELIANCE**

Product Information Packet

BM3546T-S

1HP,1750RPM,3PH,60HZ,143TY,3516M,TEFC,F3

Part Detail							
Revision:	M	Status:	PRD/A	Change #:		Proprietary:	No
Type:	AC	Prod. Type:	3516M	Elec. Spec:	35WGP674	CD Diagram:	CD0005
Enclosure:	TEFC	Mfg Plant:		Mech. Spec:	35X162	Layout:	35LYX162
Frame:	143TY	Mounting:	F3	Poles:	04	Created Date:	01-08-2008
Base:	RG	Rotation:	R	Insulation:	F	Eff. Date:	01-19-2015
Leads:	9#18					Replaced By:	
Literature:		Elec. Diagram:					

Nameplate NP1372L						
CAT.NO.	BM3546T-S					
SPEC.	35X162P674H1					
HP	1					
VOLTS	208-230/460					
AMP	3.38-3.12/1.56					
RPM	1750					
FRAME	143TY	HZ	60	PH	3	
SER.F.	1.15	CODE	M	DES	B	CL F
NEMA-NOM-EFF	82.5	PF	73			
RATING	40C AMB-CONT					
CC	USABLE AT 208V					
DE	6205	ODE	6205			
ENCL	TEFC	SN				
	IP22, BRK 6 FT-LB					

AC Induction Motor Performance Data

Record # 25215 - Typical performance - not guaranteed values

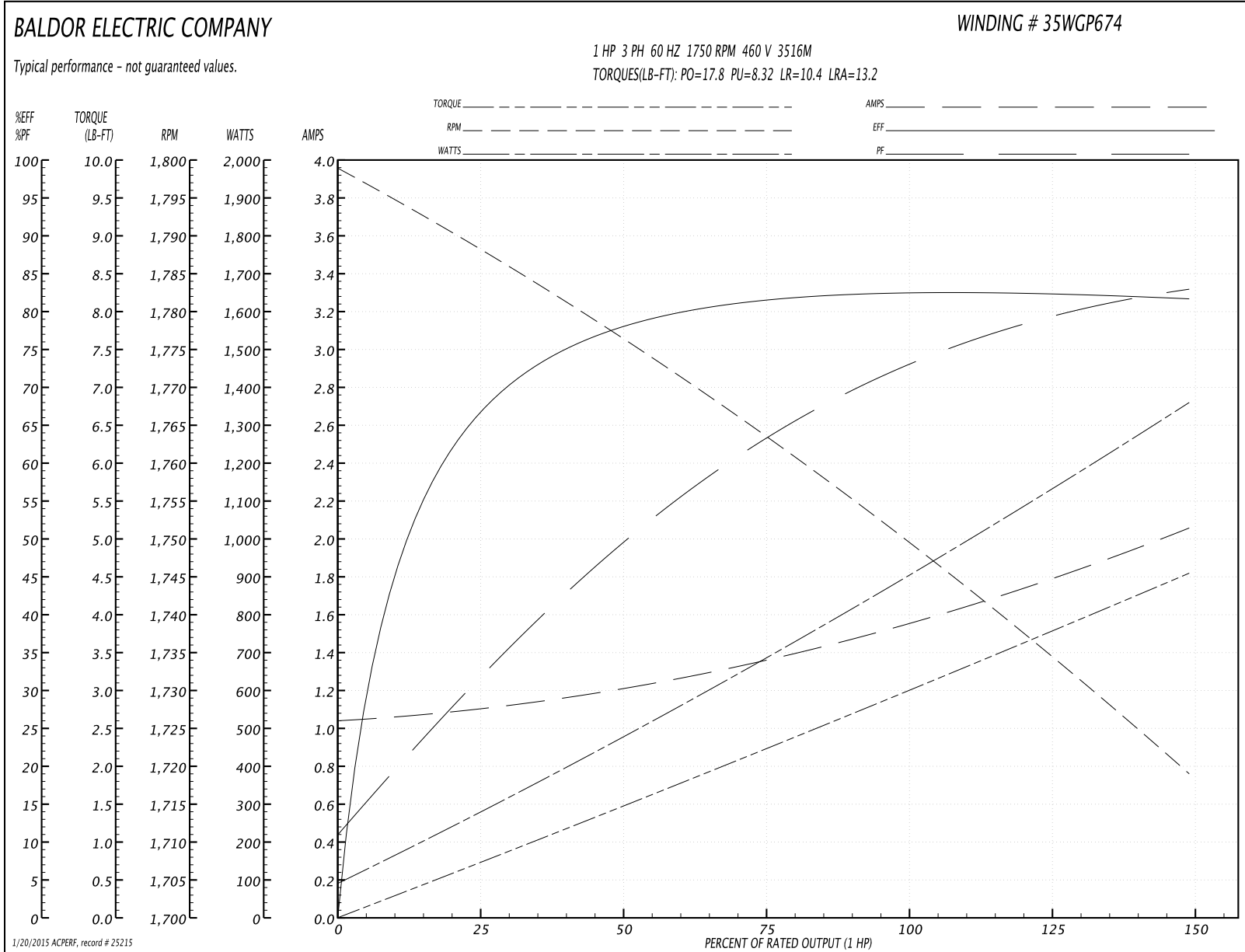
Winding: 35WGP674-R001	Type: 3516M	Enclosure: TEFC
-------------------------------	--------------------	------------------------

Nameplate Data				460 V, 60 Hz: High Voltage Connection	
Rated Output (HP)	1			Full Load Torque	2.99 LB-FT
Volts	208-230/460			Start Configuration	direct on line
Full Load Amps	3.38-3.12/1.56			Breakdown Torque	17.8 LB-FT
R.P.M.	1750			Pull-up Torque	8.32 LB-FT
Hz	60	Phase	3	Locked-rotor Torque	10.4 LB-FT
NEMA Design Code	B	KVA Code	M	Starting Current	13.2 A
Service Factor (S.F.)	1.15			No-load Current	1.04 A
NEMA Nom. Eff.	82.5	Power Factor	73	Line-line Res. @ 25°C	16.3 Ω
Rating - Duty	40C AMB-CONT			Temp. Rise @ Rated Load	41°C
S.F. Amps				Temp. Rise @ S.F. Load	50°C
				Rotor inertia	0.0946 LF ²

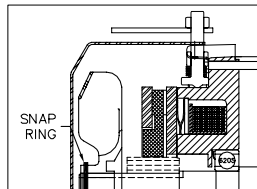
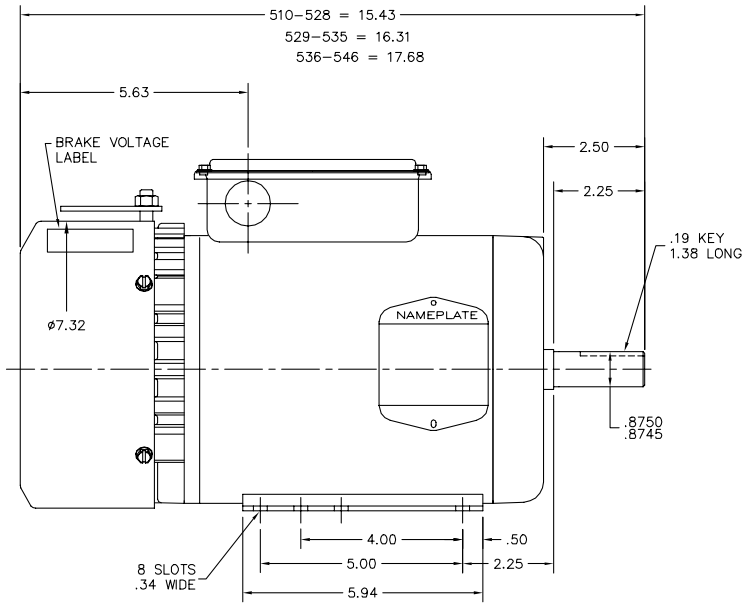
Load Characteristics 460 V, 60 Hz, 1 HP

% of Rated Load	25	50	75	100	125	150	S.F.
Power Factor	32	50	63	73	79	83	77
Efficiency	66.7	77.9	81.3	82.6	82.6	81.6	82.6
Speed	1788	1776	1764	1750	1735	1719	1741
Line amperes	1.11	1.2	1.36	1.56	1.77	2.06	1.69

Performance Graph at 460V, 60Hz, 1.0HP Typical performance - Not guaranteed values

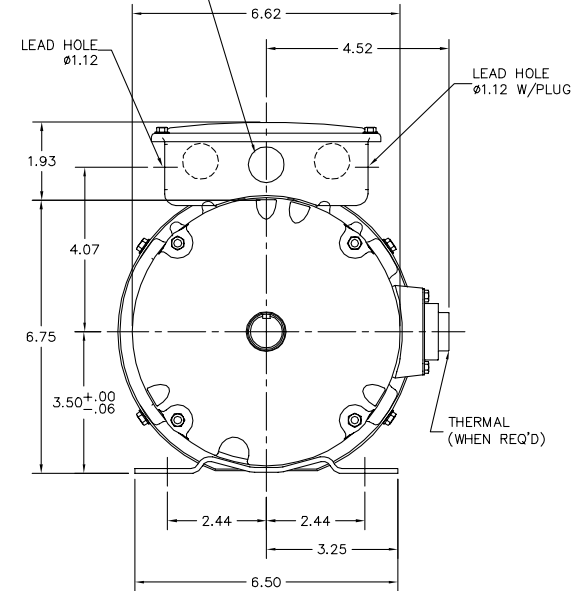


35LYX162



FRONT DETAIL VIEW

1 X Ø.88 KNOCKOUT (PU. END)
2 X Ø.88 KNOCKOUTS (FR. END)



CUSTOMER IS RESPONSIBLE FOR DETERMINING THAT MOTOR PERFORMANCE IS SUITABLE IN THE APPLICATION.

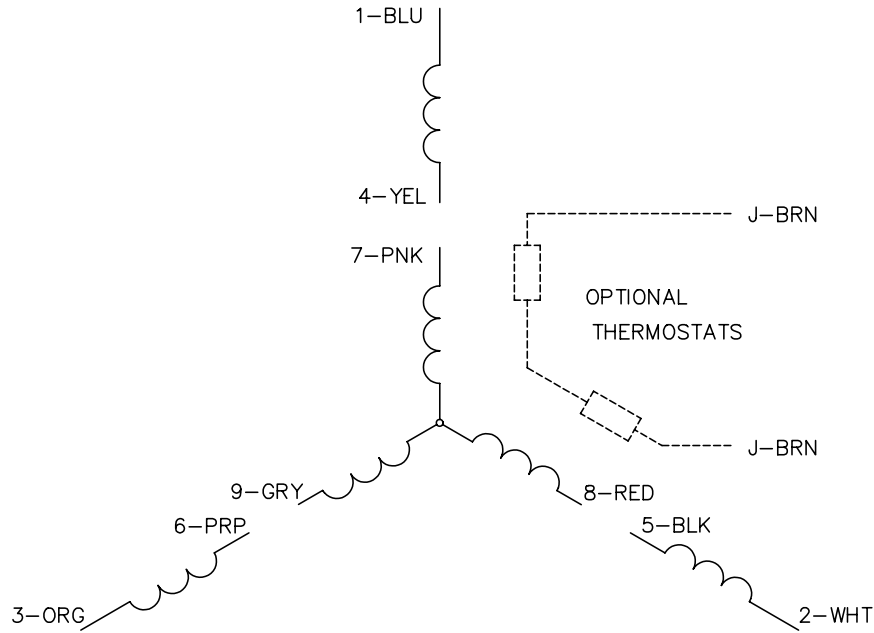
REV. DESC: NEW	VERSION: 00	TDR: 000000448542
REV. LTR: -	REVISED: 10:45:37 01/10/2008	BY: ENALEMO
FILE: \AAA\00153\650		
MTL: -		

BALDOR • DODGE • RELIANCE

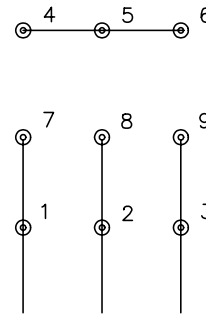
HOR 143-5TY TEFC 35M F3 W/DODGE SSB BRAKE & 35CB4007

35LYX162

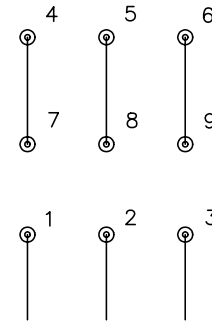
CD0005



LOW VOLTAGE
(2Y)



HIGH VOLTAGE
(1Y)



NOTES:

1. INTERCHANGE ANY TWO LINE LEADS TO REVERSE ROTATION.
2. OPTIONAL THERMOSTATS ARE PROVIDED WHEN SPECIFIED.
3. ACTUAL NUMBER OF INTERNAL PARALLEL CIRCUITS MAY BE A MULTIPLE OF THOSE SHOWN ABOVE.
4. LEAD COLORS ARE OPTIONAL. LEADS MUST ALWAYS BE NUMBERED AS SHOWN.

REV. DESC: REVISE TO SHOW OPTIONAL COLORS			
REV. LTR: E	BY: JLP	REVISED: 01/19/99 10:15	TDR: 0171435
900000		FILE: AAA00005140	MDL: -
		MTL: -	

BALDOR ELECTRIC Co.

3PH, DV, 9 LEADS

CD0005