

BALDOR® • **RELIANCE**

Product Information Packet

BM3558T-S

2HP,1750RPM,3PH,60HZ,145TY,3524M,TEFC,F3

Part Detail							
Revision:	A	Status:	PRD/A	Change #:		Proprietary:	No
Type:	AC	Prod. Type:	3524M	Elec. Spec:	35WGN917	CD Diagram:	CD0005
Enclosure:	TEFC	Mfg Plant:		Mech. Spec:	35X162	Layout:	35LYX162
Frame:	145TY	Mounting:	F3	Poles:	04	Created Date:	02-03-2014
Base:	RG	Rotation:	R	Insulation:	F	Eff. Date:	01-19-2015
Leads:	9#18					Replaced By:	
Literature:		Elec. Diagram:					

Nameplate NP1372L									
CAT.NO.	BM3558T-S								
SPEC.	35X162N917H1								
HP	2								
VOLTS	208-230/460								
AMP	6.7-6.2/3.1								
RPM	1750								
FRAME	145TY	HZ	60	PH	3				
SER.F.	1.15	CODE	L	DES	B	CL	F		
NEMA-NOM-EFF	84	PF	72						
RATING	40C AMB-CONT								
CC	USABLE AT 208V								
DE	6205	ODE	6205						
ENCL	TEFC	SN							
	IP22, BRK 10 FT-LB								

AC Induction Motor Performance Data

Record # 44492 - Typical performance - not guaranteed values

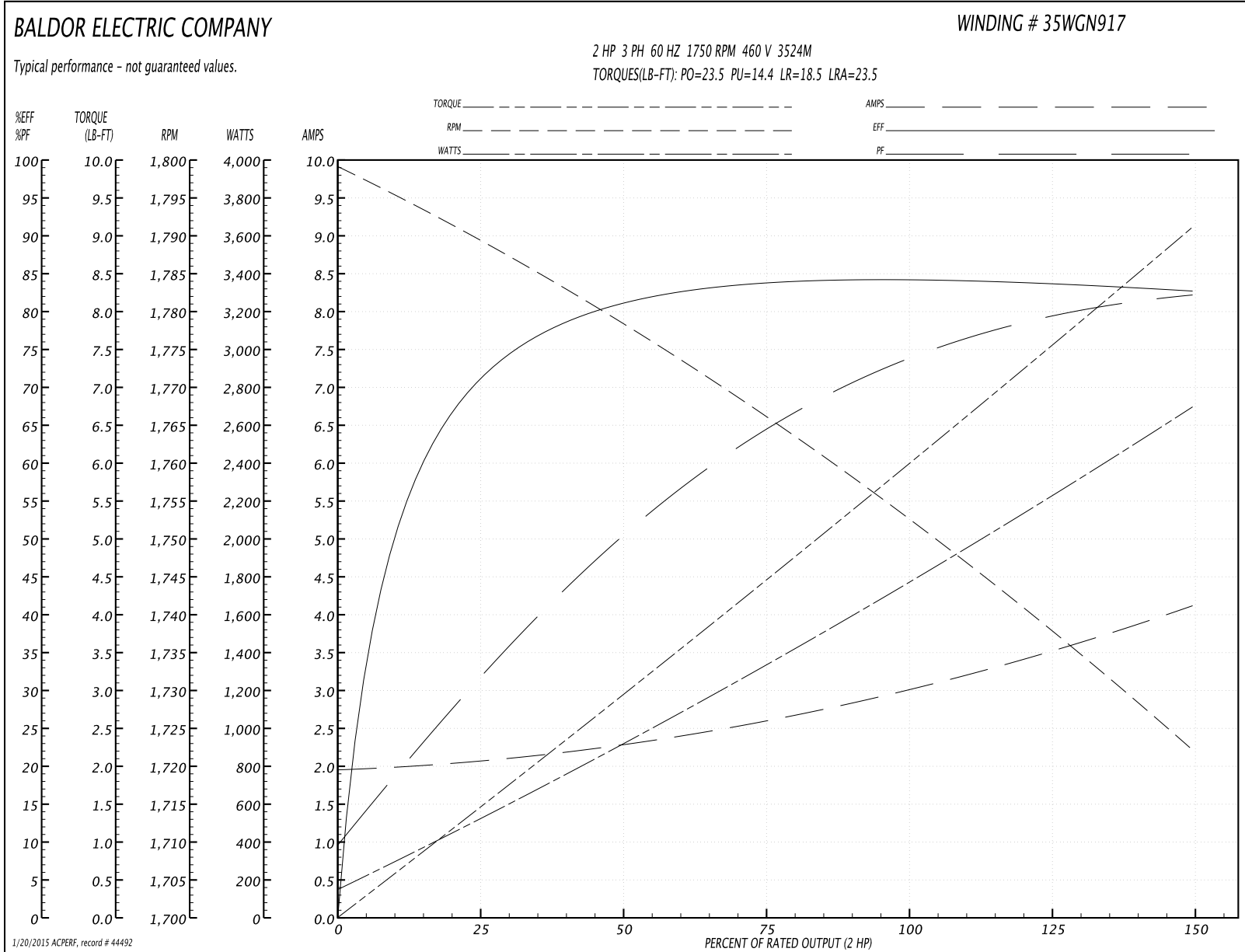
Winding: 35WGN917-R001	Type: 3524M	Enclosure: TEFC
-------------------------------	--------------------	------------------------

Nameplate Data				460 V, 60 Hz: High Voltage Connection	
Rated Output (HP)	2			Full Load Torque	5.99 LB-FT
Volts	208-230/460			Start Configuration	direct on line
Full Load Amps	6.7-6.2/3.1			Breakdown Torque	23.5 LB-FT
R.P.M.	1750			Pull-up Torque	14.4 LB-FT
Hz	60	Phase	3	Locked-rotor Torque	18.5 LB-FT
NEMA Design Code	B	KVA Code	L	Starting Current	23.5 A
Service Factor (S.F.)	1.15			No-load Current	1.97 A
NEMA Nom. Eff.	84	Power Factor	72	Line-line Res. @ 25°C	7.97 Ω
Rating - Duty	40C AMB-CONT			Temp. Rise @ Rated Load	72°C
S.F. Amps				Temp. Rise @ S.F. Load	84°C
				Rotor inertia	0.142 LF ²

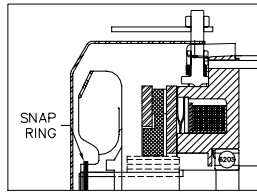
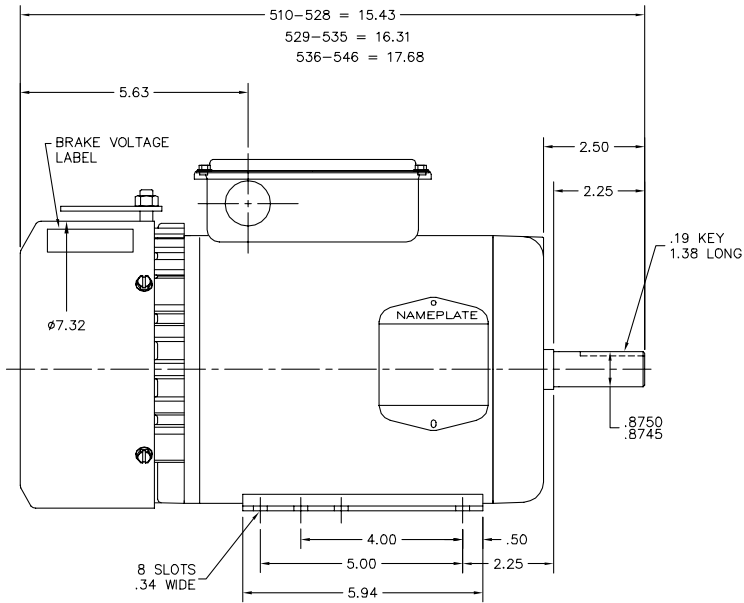
Load Characteristics 460 V, 60 Hz, 2 HP

% of Rated Load	25	50	75	100	125	150	S.F.
Power Factor	32	51	64	73	79	83	77
Efficiency	70.8	80.7	83.7	84.3	83.9	82.6	84.1
Speed	1790	1778	1766	1753	1738	1722	1744
Line amperes	2.05	2.26	2.61	3.03	3.52	4.11	3.32

Performance Graph at 460V, 60Hz, 2.0HP Typical performance - Not guaranteed values

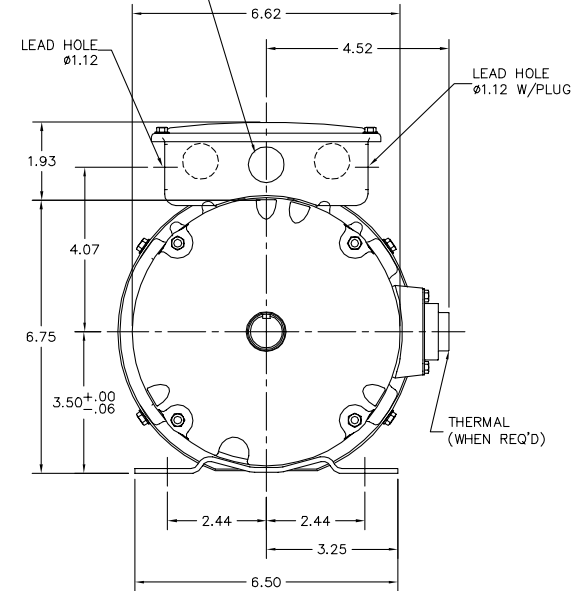


35LYX162



FRONT DETAIL VIEW

1 X Ø.88 KNOCKOUT (PU. END)
2 X Ø.88 KNOCKOUTS (FR. END)



CUSTOMER IS RESPONSIBLE FOR DETERMINING THAT MOTOR PERFORMANCE IS SUITABLE IN THE APPLICATION.

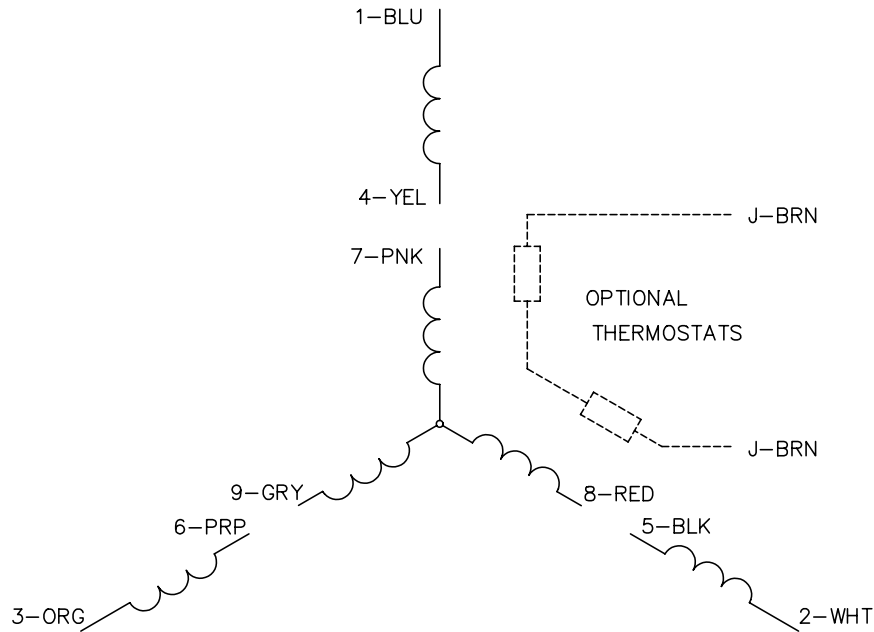
REV. DESC: NEW	VERSION: 00	TDR: 000000448542
REV. LTR: -	REVISED: 10:45:37 01/10/2008	BY: ENALEMO
FILE: \AAA\00153\650		
MTL: -		

BALDOR • DODGE • RELIANCE

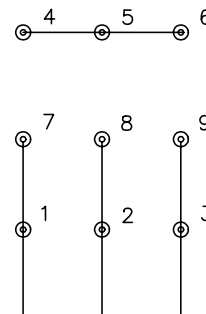
HOR 143-5TY TEFC 35M F3 W/DODGE SSB BRAKE & 35CB4007

35LYX162

CD0005

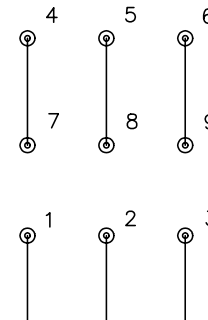


LOW VOLTAGE
(2Y)



LINE

HIGH VOLTAGE
(1Y)



LINE

NOTES:

1. INTERCHANGE ANY TWO LINE LEADS TO REVERSE ROTATION.
2. OPTIONAL THERMOSTATS ARE PROVIDED WHEN SPECIFIED.
3. ACTUAL NUMBER OF INTERNAL PARALLEL CIRCUITS MAY BE A MULTIPLE OF THOSE SHOWN ABOVE.
4. LEAD COLORS ARE OPTIONAL. LEADS MUST ALWAYS BE NUMBERED AS SHOWN.

REV. DESC: REVISE TO SHOW OPTIONAL COLORS			
REV. LTR: E	BY: JLP	REVISED: 01/19/99 10:15	TDR: 0171435
90000		FILE: AAA00005140	MDL: -
		MTL: -	

BALDOR ELECTRIC Co.

3PH, DV, 9 LEADS

CD0005