

BALDOR® • ***RELIANCE***

Product Information Packet

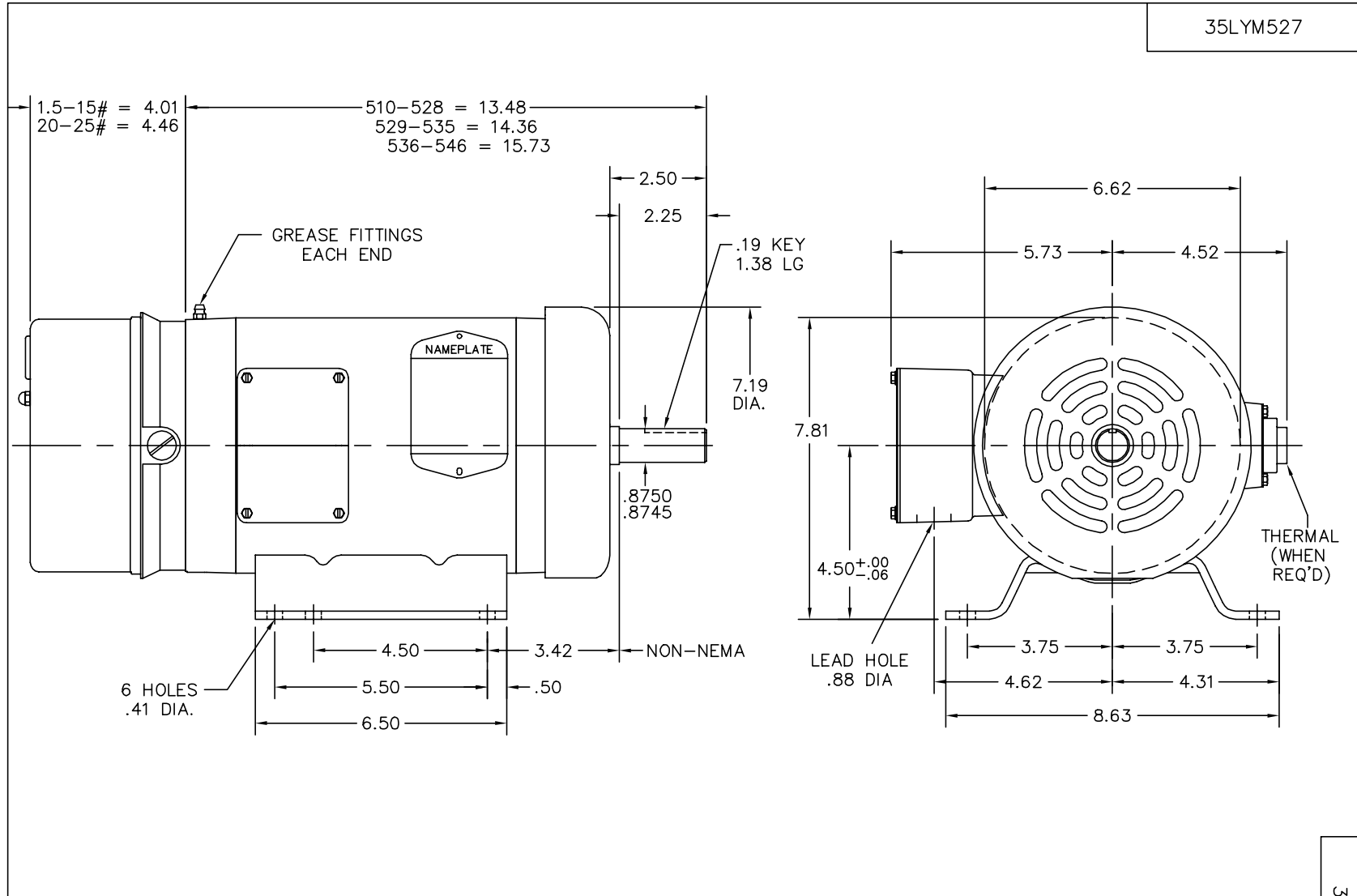
BM3609

2HP,1735RPM,3PH,60HZ,184,3523M,TEFC,F1,B

Part Detail							
Revision:	C	Status:	PRD/A	Change #:		Proprietary:	No
Type:	AC	Prod. Type:	3523M	Elec. Spec:	35WGP805	CD Diagram:	CD0005
Enclosure:	TEFC	Mfg Plant:		Mech. Spec:	35M527	Layout:	35LYM527
Frame:	184	Mounting:	F1	Poles:	04	Created Date:	07-14-2010
Base:	RG	Rotation:	R	Insulation:	F	Eff. Date:	07-19-2011
Leads:	9#18					Replaced By:	
Literature:		Elec. Diagram:					

Nameplate NP1256L							
CAT.NO.	BM3609						
SPEC.	35M527P805G1						
HP	2						
VOLTS	208-230/460						
AMP	6.5-6/3						
RPM	1735						
FRAME	184	HZ	60	PH	3		
SER.F.	1.15	CODE	L	DES	B	CLASS	F
NEMA-NOM-EFF	82.5	PF	76				
RATING	40C AMB-CONT						
CC	USABLE AT 208V						
DE	6205	ODE	6203				
ENCL	TEFC	SN					

No performance data has been
assigned to this product.



CUSTOMER IS RESPONSIBLE FOR DETERMINING THAT MOTOR PERFORMANCE IS SUITABLE IN THE APPLICATION.

REV. DESC: 35SB0778 WAS 35SB1233			
REV. LTR: C	BY: RMP	REVISED: 13:35:39 05/06/2003	TDR: 301485
35LYM527		FILE: AAA00013693	REF: 35LYM527
		MTL: -	

BALDOR ELECTRIC Co.

STD HORZ 182-4 TEFC 35M W/BRAKE

35LYM527

