

BALDOR® • **RELIANCE**

Product Information Packet

CUHL3518

.5HP, 1725RPM, 1PH, 60HZ, 56C, 3520L, TEFC, F3

Part Detail							
Revision:	C	Status:	PRD/A	Change #:		Proprietary:	No
Type:	AC	Prod. Type:	3520L	Elec. Spec:	35WGN406	CD Diagram:	CD0001
Enclosure:	TEFC	Mfg Plant:		Mech. Spec:	35X061	Layout:	35LYX061
Frame:	56C	Mounting:	F3	Poles:	04	Created Date:	09-17-2012
Base:	RG	Rotation:	R	Insulation:	F	Eff. Date:	07-02-2013
Leads:	6#18					Replaced By:	
Literature:		Elec. Diagram:					

Nameplate NP1372L						
CAT.NO.	CUHL3518					
SPEC.	35X061N406G1					
HP	.5					
VOLTS	115/208-230					
AMP	7.4/3.5-3.7					
RPM	1725					
FRAME	56C	HZ	60	PH	1	
SER.F.	1.15	CODE	M	DES	N	CL F
NEMA-NOM-EFF	68	PF	65			
RATING	40C AMB-CONT					
CC		USABLE AT 208V				
DE	6205	ODE	6203			
ENCL	TEFC	SN				
	IP44					

AC Induction Motor Performance Data

Record # 39785 - Typical performance - not guaranteed values

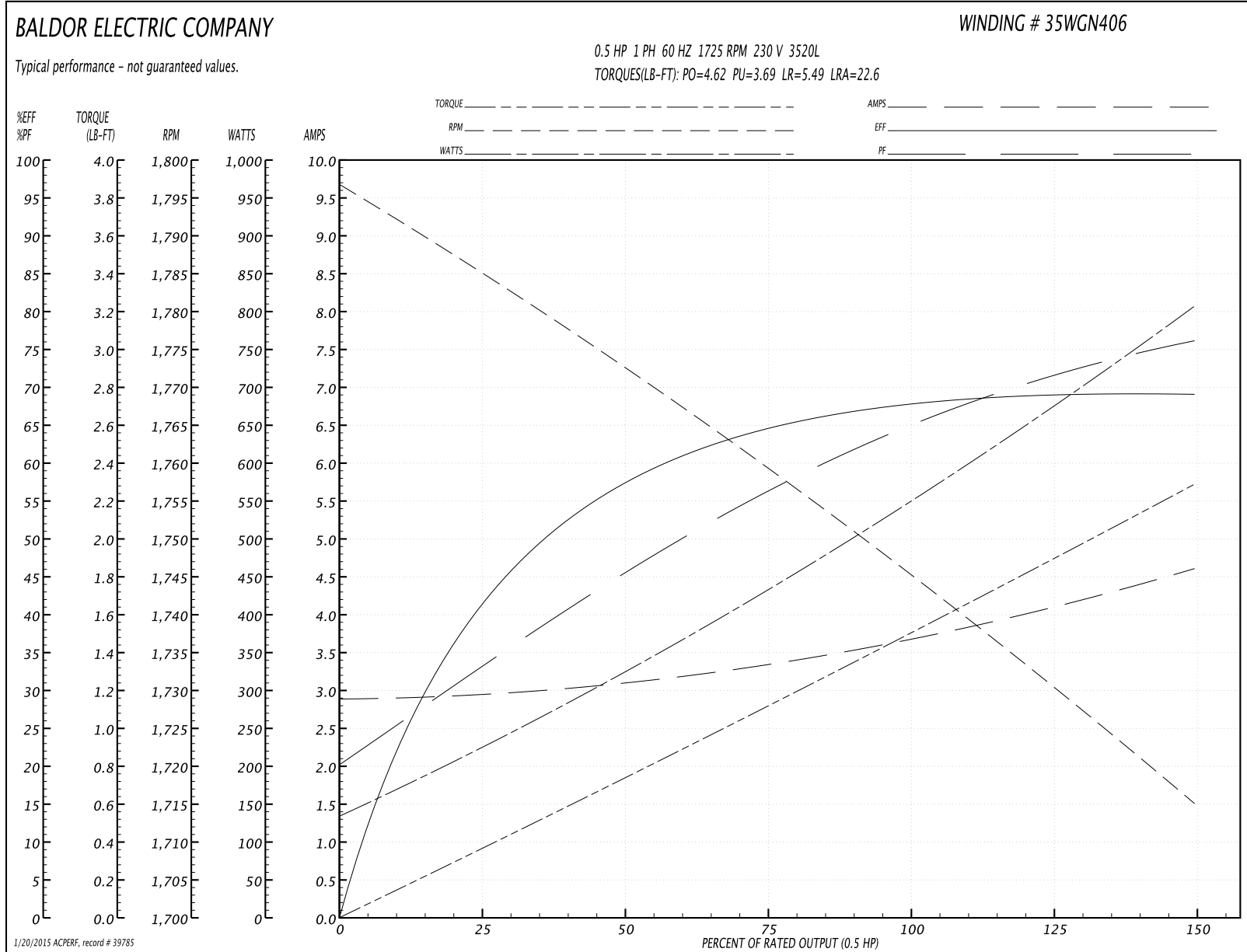
Winding: 35WGN406-R003	Type: 3520L	Enclosure: TEFC
-------------------------------	--------------------	------------------------

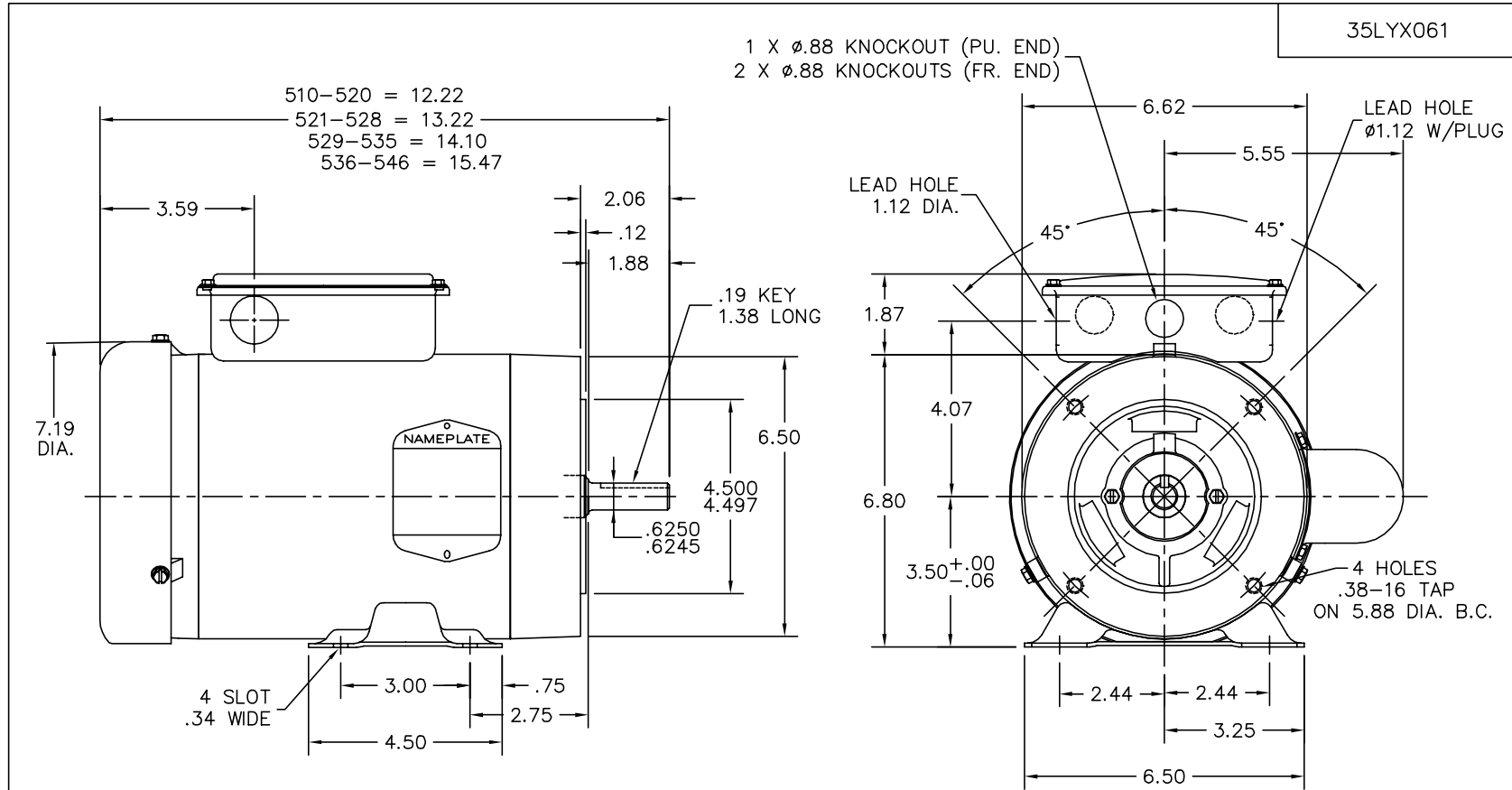
Nameplate Data				230 V, 60 Hz: High Voltage Connection	
Rated Output (HP)	.5			Full Load Torque	1.51 LB-FT
Volts	115/208-230			Start Configuration	direct on line
Full Load Amps	7.4/3.5-3.7			Breakdown Torque	4.62 LB-FT
R.P.M.	1725			Pull-up Torque	3.69 LB-FT
Hz	60	Phase	1	Locked-rotor Torque	5.49 LB-FT
NEMA Design Code	N	KVA Code	M	Starting Current	22.6 A
Service Factor (S.F.)	1.15			No-load Current	2.89 A
NEMA Nom. Eff.	68	Power Factor	65	Line-line Res. @ 25°C	4.0781 Ω A Ph 2.4038 Ω B Ph
Rating - Duty	40C AMB-CONT			Temp. Rise @ Rated Load	67°C
S.F. Amps				Temp. Rise @ S.F. Load	75°C

Load Characteristics 230 V, 60 Hz, 0.5 HP

% of Rated Load	25	50	75	100	125	150	S.F.
Power Factor	34	46	56	65	71	76	69
Efficiency	41.6	57.1	64.6	68	69	69	68.6
Speed	1783.2	1772	1759.8	1745.9	1730.5	1714.5	1737
Line amperes	2.95	3.09	3.35	3.69	4.1	4.61	3.94

Performance Graph at 230V, 60Hz, 0.5HP Typical performance - Not guaranteed values



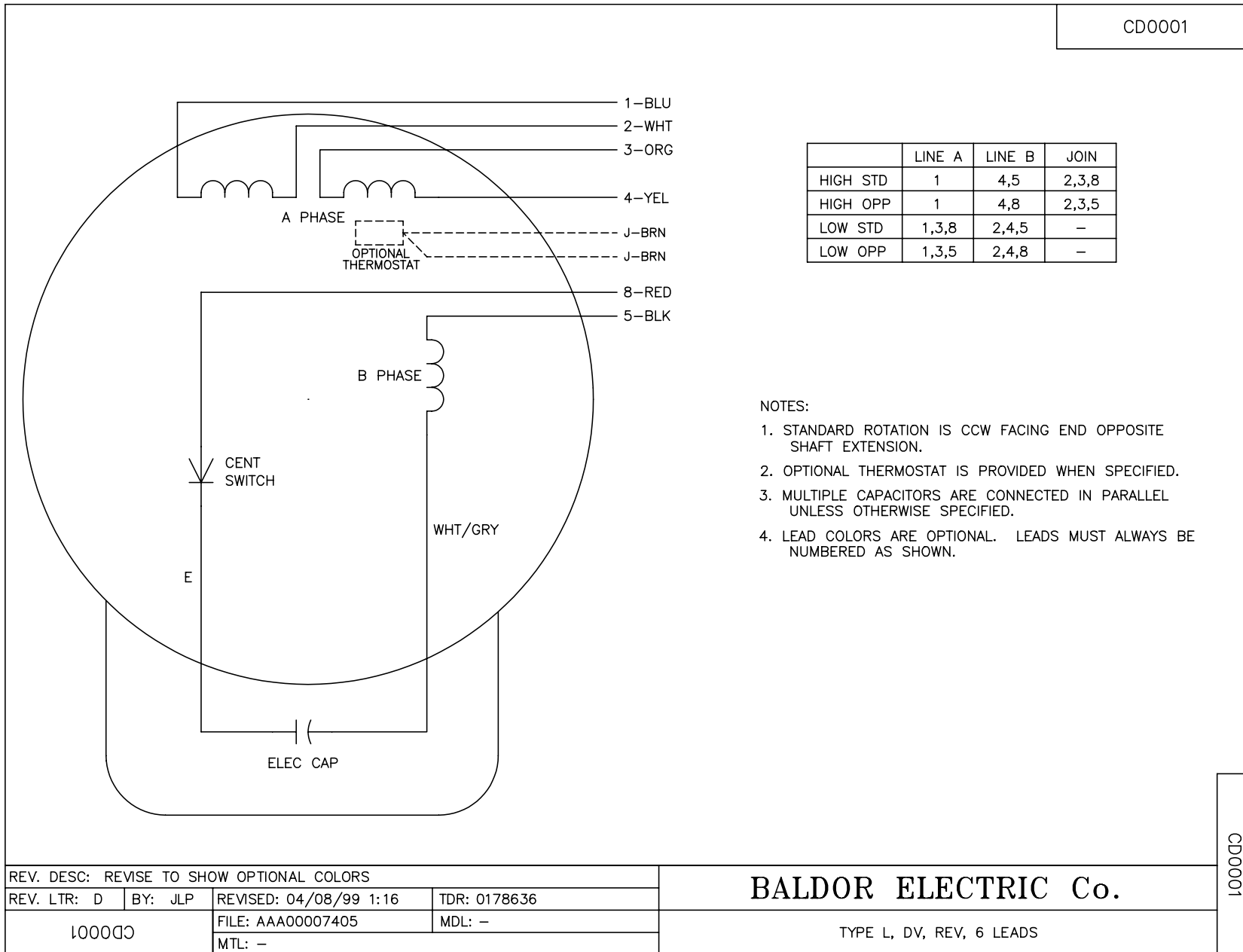


CUSTOMER IS RESPONSIBLE FOR DETERMINING THAT MOTOR PERFORMANCE IS SUITABLE IN THE APPLICATION.

REV. DESC: NEW			BALDOR • DODGE • RELIANCE	
REV. LTR: -	VERSION: 00	TDR: 000000448458		
190X179	FILE: \AAA\00152\745	REVISED: 15:46:26 12/03/2007	HOR 56C TEFC 35L F3 CAP @3, W/35CB4007 @ 12	
	MTL: -	BY: ENALEMO		

35LYX061

CD0001



NOTES:

1. STANDARD ROTATION IS CCW FACING END OPPOSITE SHAFT EXTENSION.
2. OPTIONAL THERMOSTAT IS PROVIDED WHEN SPECIFIED.
3. MULTIPLE CAPACITORS ARE CONNECTED IN PARALLEL UNLESS OTHERWISE SPECIFIED.
4. LEAD COLORS ARE OPTIONAL. LEADS MUST ALWAYS BE NUMBERED AS SHOWN.

CD0001

REV. DESC: REVISE TO SHOW OPTIONAL COLORS			
REV. LTR: D	BY: JLP	REVISED: 04/08/99 1:16	TDR: 0178636
100000		FILE: AAA00007405	MDL: -
		MTL: -	

BALDOR ELECTRIC Co.

TYPE L, DV, REV, 6 LEADS