

# **BALDOR**® • *RELIANCE*

## Product Information Packet

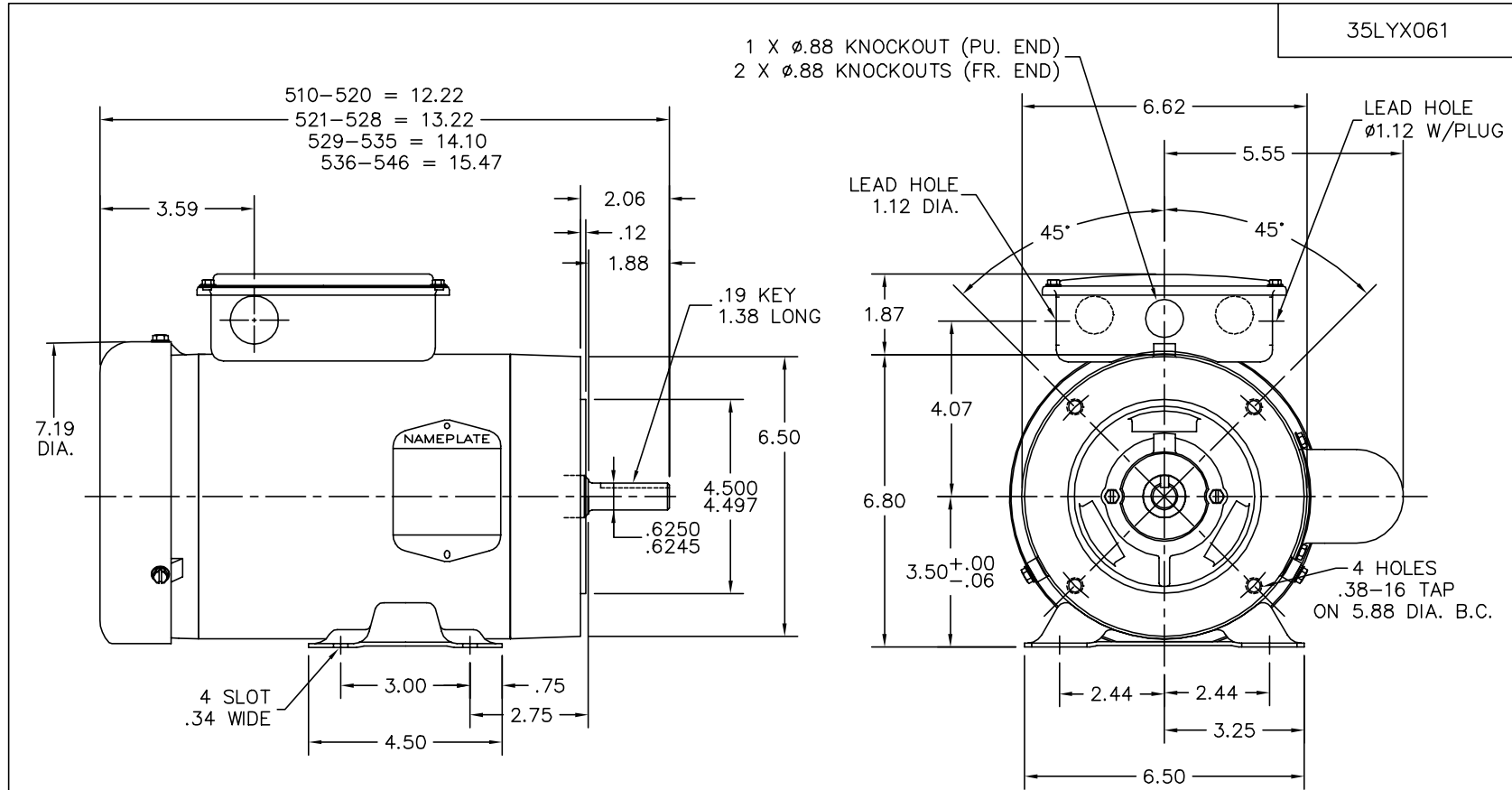
# CUHL3519

1HP,1725RPM,1PH,60HZ,56C,3524L,TEFC,F3,N

Part Detail							
Revision:	K	Status:	PRD/A	Change #:		Proprietary:	No
Type:	AC	Prod. Type:	3524L	Elec. Spec:	35WGX945	CD Diagram:	CD0001
Enclosure:	TEFC	Mfg Plant:		Mech. Spec:	35X061	Layout:	35LYX061
Frame:	56C	Mounting:	F3	Poles:	04	Created Date:	12-05-2007
Base:	RG	Rotation:	R	Insulation:	F	Eff. Date:	09-10-2013
Leads:	6#18					Replaced By:	
Literature:		Elec. Diagram:					

Nameplate NP1372L						
CAT.NO.	CUHL3519					
SPEC.	35X061X945G1					
HP	1					
VOLTS	115/208-230					
AMP	12.8/7-6.4					
RPM	1725					
FRAME	56C	HZ	60	PH	1	
SER.F.	1.15	CODE	K	DES	L	CL F
NEMA-NOM-EFF	67	PF	73			
RATING	40C AMB-CONT					
CC		USABLE AT 208V	7			
DE	6205	ODE	6203			
ENCL	TEFC	SN				
	IP44					

No performance data has been  
assigned to this product.



CUSTOMER IS RESPONSIBLE FOR DETERMINING THAT MOTOR PERFORMANCE IS SUITABLE IN THE APPLICATION.

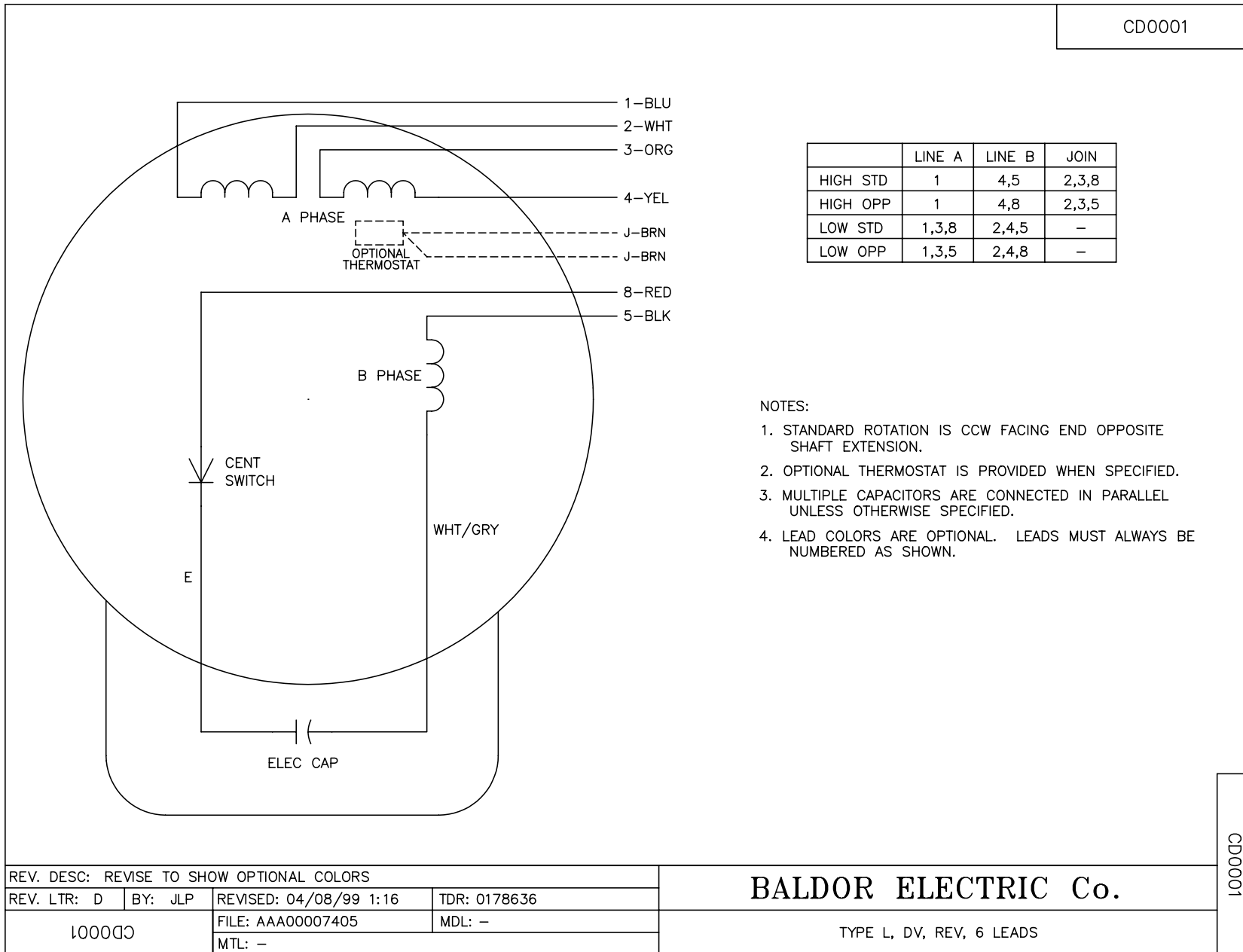
REV. DESC: NEW		
REV. LTR: -	VERSION: 00	TDR: 000000448458
190X179C	FILE: \AAA\00152\745	REVISED: 15:46:26 12/03/2007
	MTL: -	BY: ENALEMO

**BALDOR • DODGE • RELIANCE**

HOR 56C TEFC 35L F3 CAP @3, W/35CB4007 @ 12

35LYX061

CD0001



	LINE A	LINE B	JOIN
HIGH STD	1	4,5	2,3,8
HIGH OPP	1	4,8	2,3,5
LOW STD	1,3,8	2,4,5	-
LOW OPP	1,3,5	2,4,8	-

NOTES:

1. STANDARD ROTATION IS CCW FACING END OPPOSITE SHAFT EXTENSION.
2. OPTIONAL THERMOSTAT IS PROVIDED WHEN SPECIFIED.
3. MULTIPLE CAPACITORS ARE CONNECTED IN PARALLEL UNLESS OTHERWISE SPECIFIED.
4. LEAD COLORS ARE OPTIONAL. LEADS MUST ALWAYS BE NUMBERED AS SHOWN.

CD0001

REV. DESC: REVISE TO SHOW OPTIONAL COLORS			
REV. LTR: D	BY: JLP	REVISED: 04/08/99 1:16	TDR: 0178636
100000		FILE: AAA00007405	MDL: -
		MTL: -	

**BALDOR ELECTRIC Co.**

TYPE L, DV, REV, 6 LEADS