

BALDOR® • *RELIANCE*

Product Information Packet

CUHM3538

.5HP,1740RPM,3PH,60HZ,56C,3511M,TEFC,F3

Part Detail							
Revision:	C	Status:	PRD/A	Change #:		Proprietary:	No
Type:	AC	Prod. Type:	3511M	Elec. Spec:	35WGP864	CD Diagram:	CD0005
Enclosure:	TEFC	Mfg Plant:		Mech. Spec:	35X046	Layout:	35LYX046
Frame:	56C	Mounting:	F3	Poles:	04	Created Date:	06-01-2011
Base:	RG	Rotation:	R	Insulation:	F	Eff. Date:	06-03-2014
Leads:	9#18					Replaced By:	
Literature:		Elec. Diagram:					

Nameplate NP1372L						
CAT.NO.	CUHM3538					
SPEC.	35X046P864G1					
HP	.5					
VOLTS	208-230/460					
AMP	2.42-2.24/1.12					
RPM	1740					
FRAME	56C	HZ	60	PH	3	
SER.F.	1.15	CODE	M	DES	B	CL F
NEMA-NOM-EFF	72	PF	58			
RATING	40C AMB-CONT					
CC	USABLE AT 208V					
DE	6205	ODE	6203			
ENCL	TEFC	SN				
	IP44					

AC Induction Motor Performance Data

Record # 36576 - Typical performance - not guaranteed values

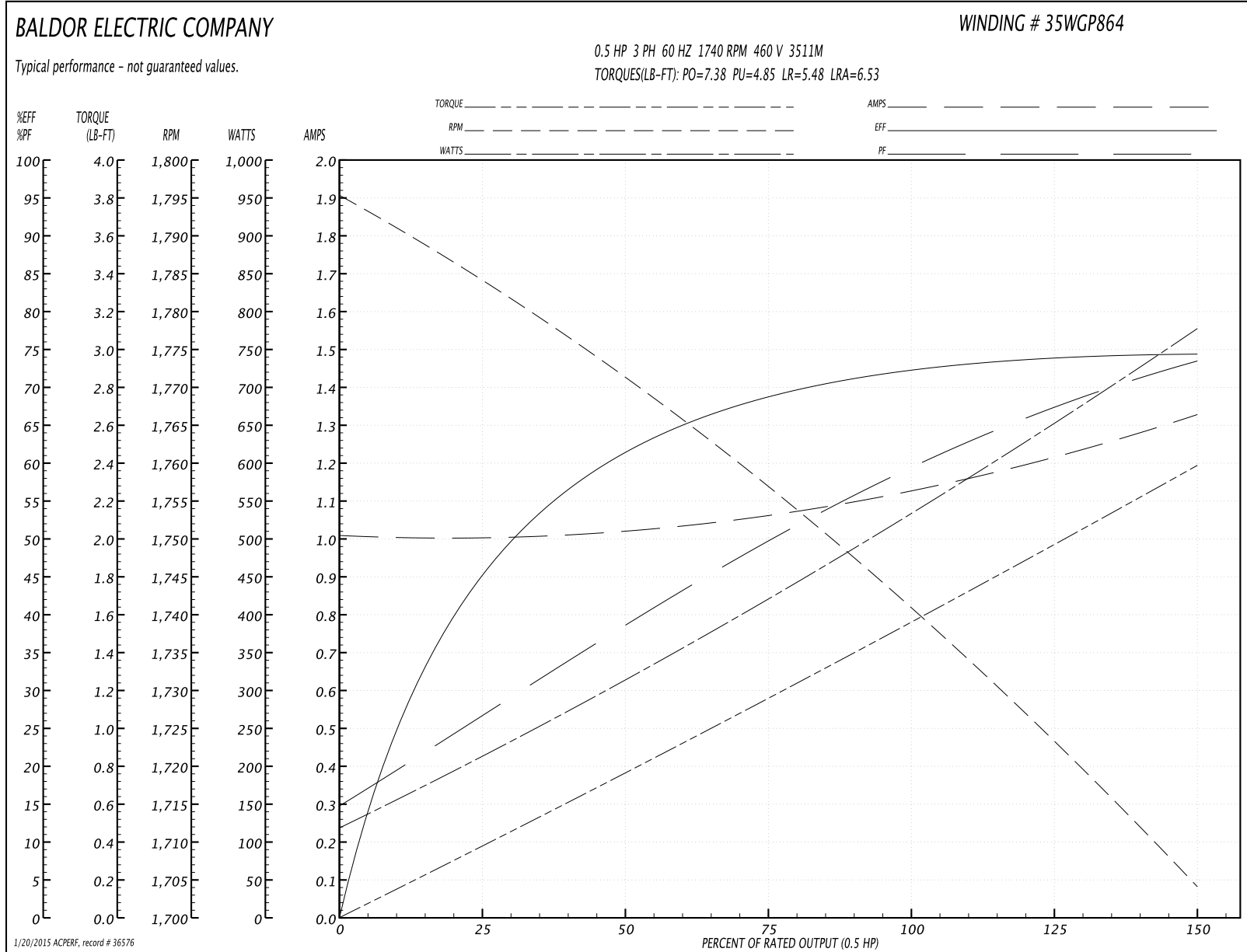
Winding: 35WGP864-R003	Type: 3511M	Enclosure: TEFC
-------------------------------	--------------------	------------------------

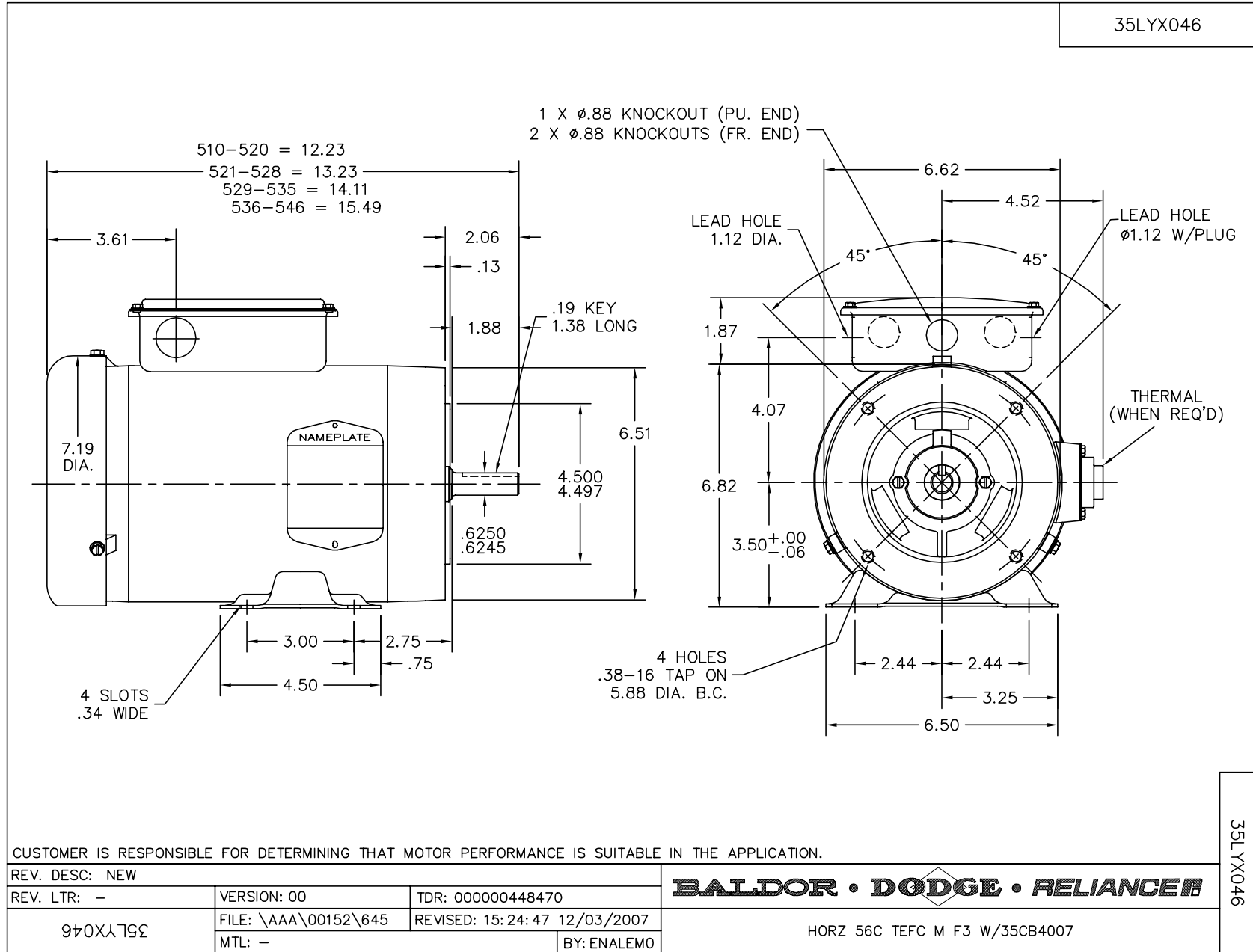
Nameplate Data				460 V, 60 Hz: High Voltage Connection	
Rated Output (HP)	.5			Full Load Torque	1.52 LB-FT
Volts	208-230/460			Start Configuration	direct on line
Full Load Amps	2.42-2.24/1.12			Breakdown Torque	7.38 LB-FT
R.P.M.	1740			Pull-up Torque	4.85 LB-FT
Hz	60	Phase	3	Locked-rotor Torque	5.48 LB-FT
NEMA Design Code	B	KVA Code	M	Starting Current	6.53 A
Service Factor (S.F.)	1.15			No-load Current	1.01 A
NEMA Nom. Eff.	72	Power Factor	58	Line-line Res. @ 25°C	39.6 Ω
Rating - Duty	40C AMB-CONT			Temp. Rise @ Rated Load	45°C
S.F. Amps				Temp. Rise @ S.F. Load	51°C
				Rotor inertia	0.065 LF ²

Load Characteristics 460 V, 60 Hz, 0.5 HP

% of Rated Load	25	50	75	100	125	150	S.F.
Power Factor	27	38	49	58	67	74	63
Efficiency	44.9	60.5	68.3	72.1	74	74.3	73.2
Speed	1785	1772	1758	1742	1726	1704	1732
Line amperes	1	1.02	1.06	1.12	1.2	1.33	1.17

Performance Graph at 460V, 60Hz, 0.5HP Typical performance - Not guaranteed values

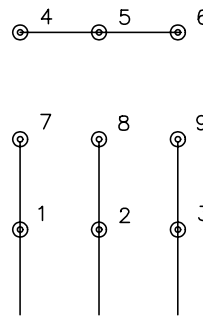




CD0005

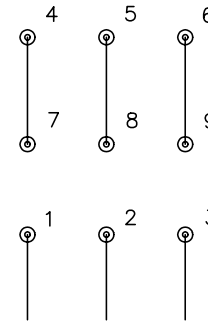


LOW VOLTAGE
(2Y)



LINE

HIGH VOLTAGE
(1Y)



LINE

NOTES:

1. INTERCHANGE ANY TWO LINE LEADS TO REVERSE ROTATION.
2. OPTIONAL THERMOSTATS ARE PROVIDED WHEN SPECIFIED.
3. ACTUAL NUMBER OF INTERNAL PARALLEL CIRCUITS MAY BE A MULTIPLE OF THOSE SHOWN ABOVE.
4. LEAD COLORS ARE OPTIONAL. LEADS MUST ALWAYS BE NUMBERED AS SHOWN.

REV. DESC: REVISE TO SHOW OPTIONAL COLORS			
REV. LTR: E	BY: JLP	REVISED: 01/19/99 10:15	TDR: 0171435
90000		FILE: AAA00005140	MDL: -
		MTL: -	

BALDOR ELECTRIC Co.

3PH, DV, 9 LEADS

CD0005