

BALDOR® • ***RELIANCE***

Product Information Packet

CUHM3558

2HP,1750RPM,3PH,60HZ,56C,3524M,TEFC,F3,N

Part Detail							
Revision:	A	Status:	PRD/A	Change #:		Proprietary:	No
Type:	AC	Prod. Type:	3524M	Elec. Spec:	35WGN917	CD Diagram:	CD0005
Enclosure:	TEFC	Mfg Plant:		Mech. Spec:	35X046	Layout:	35LYX046
Frame:	56C	Mounting:	F3	Poles:	04	Created Date:	01-30-2014
Base:	RG	Rotation:	R	Insulation:	F	Eff. Date:	06-03-2014
Leads:	9#18					Replaced By:	
Literature:		Elec. Diagram:					

Nameplate NP1372L						
CAT.NO.	CUHM3558					
SPEC.	35X046N917H1					
HP	2					
VOLTS	208-230/460					
AMP	6.7-6.2/3.1					
RPM	1750					
FRAME	56C	HZ	60	PH	3	
SER.F.	1.15	CODE	L	DES	B	CL F
NEMA-NOM-EFF	84	PF	72			
RATING	40C AMB-CONT					
CC	USABLE AT 208V					
DE	6205	ODE	6203			
ENCL	TEFC	SN				
	IP44					

AC Induction Motor Performance Data

Record # 44492 - Typical performance - not guaranteed values

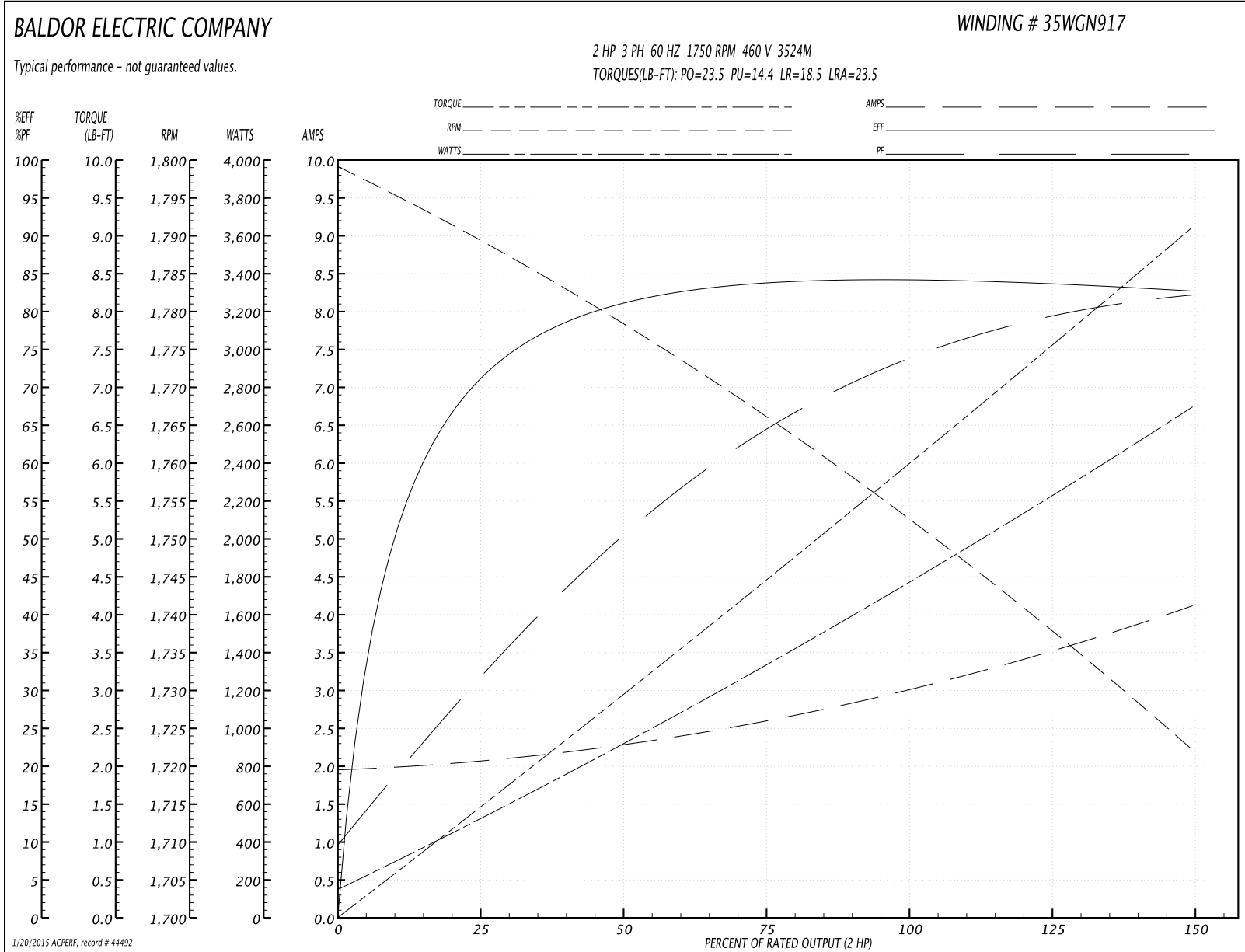
Winding: 35WGN917-R001	Type: 3524M	Enclosure: TEFC
-------------------------------	--------------------	------------------------

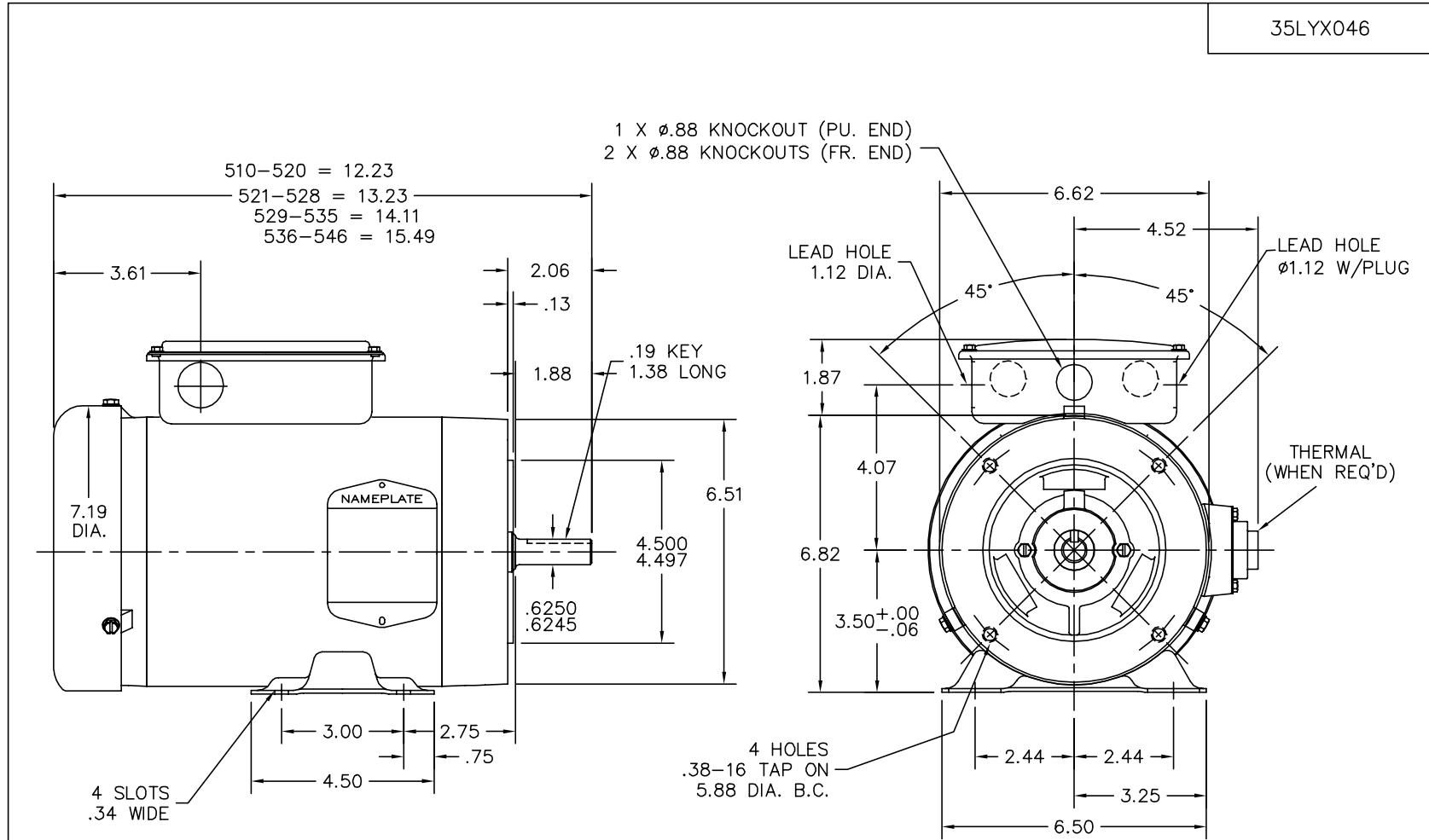
Nameplate Data				460 V, 60 Hz: High Voltage Connection	
Rated Output (HP)	2			Full Load Torque	5.99 LB-FT
Volts	208-230/460			Start Configuration	direct on line
Full Load Amps	6.7-6.2/3.1			Breakdown Torque	23.5 LB-FT
R.P.M.	1750			Pull-up Torque	14.4 LB-FT
Hz	60	Phase	3	Locked-rotor Torque	18.5 LB-FT
NEMA Design Code	B	KVA Code	L	Starting Current	23.5 A
Service Factor (S.F.)	1.15			No-load Current	1.97 A
NEMA Nom. Eff.	84	Power Factor	72	Line-line Res. @ 25°C	7.97 Ω
Rating - Duty	40C AMB-CONT			Temp. Rise @ Rated Load	72°C
S.F. Amps				Temp. Rise @ S.F. Load	84°C
				Rotor inertia	0.142 LF ²

Load Characteristics 460 V, 60 Hz, 2 HP

% of Rated Load	25	50	75	100	125	150	S.F.
Power Factor	32	51	64	73	79	83	77
Efficiency	70.8	80.7	83.7	84.3	83.9	82.6	84.1
Speed	1790	1778	1766	1753	1738	1722	1744
Line amperes	2.05	2.26	2.61	3.03	3.52	4.11	3.32

Performance Graph at 460V, 60Hz, 2.0HP Typical performance - Not guaranteed values





CUSTOMER IS RESPONSIBLE FOR DETERMINING THAT MOTOR PERFORMANCE IS SUITABLE IN THE APPLICATION.

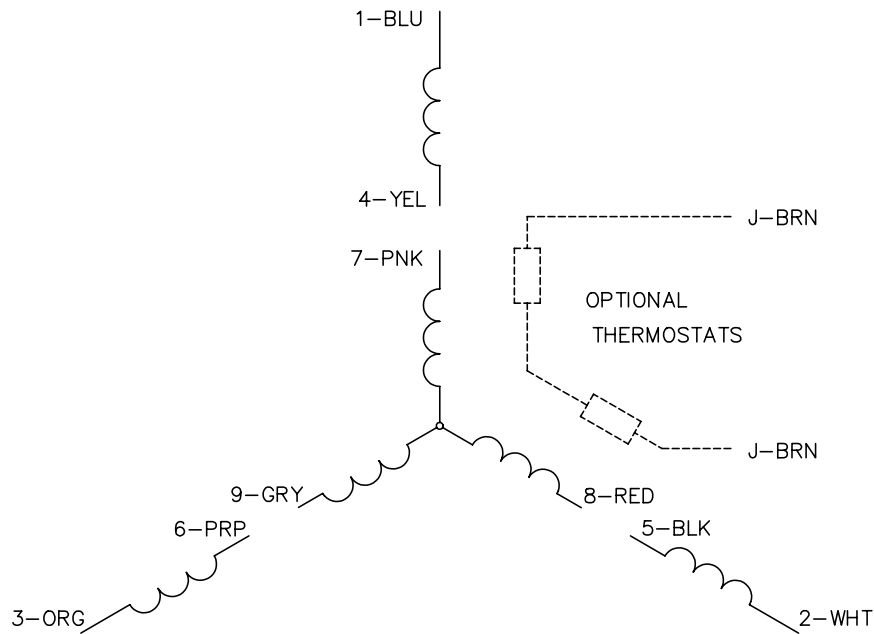
REV. DESC: NEW		
REV. LTR: -	VERSION: 00	TDR: 000000448470
904XY35LC	FILE: \AAA\00152\645	REVISED: 15:24:47 12/03/2007
	MTL: -	BY: ENALEMO

BALDOR • DODGE • RELIANCE

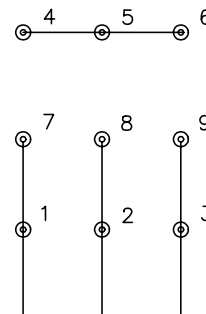
HORZ 56C TEFC M F3 W/35CB4007

35LYX046

CD0005

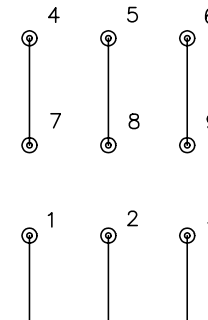


LOW VOLTAGE
(2Y)



LINE

HIGH VOLTAGE
(1Y)



LINE

NOTES:

1. INTERCHANGE ANY TWO LINE LEADS TO REVERSE ROTATION.
2. OPTIONAL THERMOSTATS ARE PROVIDED WHEN SPECIFIED.
3. ACTUAL NUMBER OF INTERNAL PARALLEL CIRCUITS MAY BE A MULTIPLE OF THOSE SHOWN ABOVE.
4. LEAD COLORS ARE OPTIONAL. LEADS MUST ALWAYS BE NUMBERED AS SHOWN.

REV. DESC: REVISE TO SHOW OPTIONAL COLORS			
REV. LTR: E	BY: JLP	REVISED: 01/19/99 10:15	TDR: 0171435
90000		FILE: AAA00005140	MDL: -
		MTL: -	

BALDOR ELECTRIC Co.

3PH, DV, 9 LEADS

CD0005