

BALDOR® • ***RELIANCE***

Product Information Packet

EL3504

.5HP, 1745RPM, 1PH, 60HZ, 56, 3424LC, TEFC, F1

Part Detail							
Revision:	AB	Status:	PRD/A	Change #:		Proprietary:	No
Type:	AC	Prod. Type:	3424LC	Elec. Spec:	34WGX029	CD Diagram:	CD0055
Enclosure:	TEFC	Mfg Plant:		Mech. Spec:	34G375	Layout:	34LYG375
Frame:	56	Mounting:	F1	Poles:	04	Created Date:	
Base:	RG	Rotation:	R	Insulation:	F	Eff. Date:	05-13-2014
Leads:	6#18					Replaced By:	
Literature:		Elec. Diagram:					

Nameplate NP2117L									
CAT.NO.	EL3504								
SPEC.	34G375X29G1								
HP	.5								
VOLTS	115/230								
AMP	4.6/2.3								
RPM	1745								
FRAME	56	HZ	60	PH	1				
SER.F.	1.25	CODE	K	DES	N	CL	F		
NEMA-NOM-EFF	78.5	PF	89						
RATING	40C AMB-CONT								
CC	USABLE AT 208V								
DE	6203	ODE	6203						
ENCL	TEFC	SN							
	SFA 5.6/2.8								

AC Induction Motor Performance Data

Record # 20836 - Typical performance - not guaranteed values

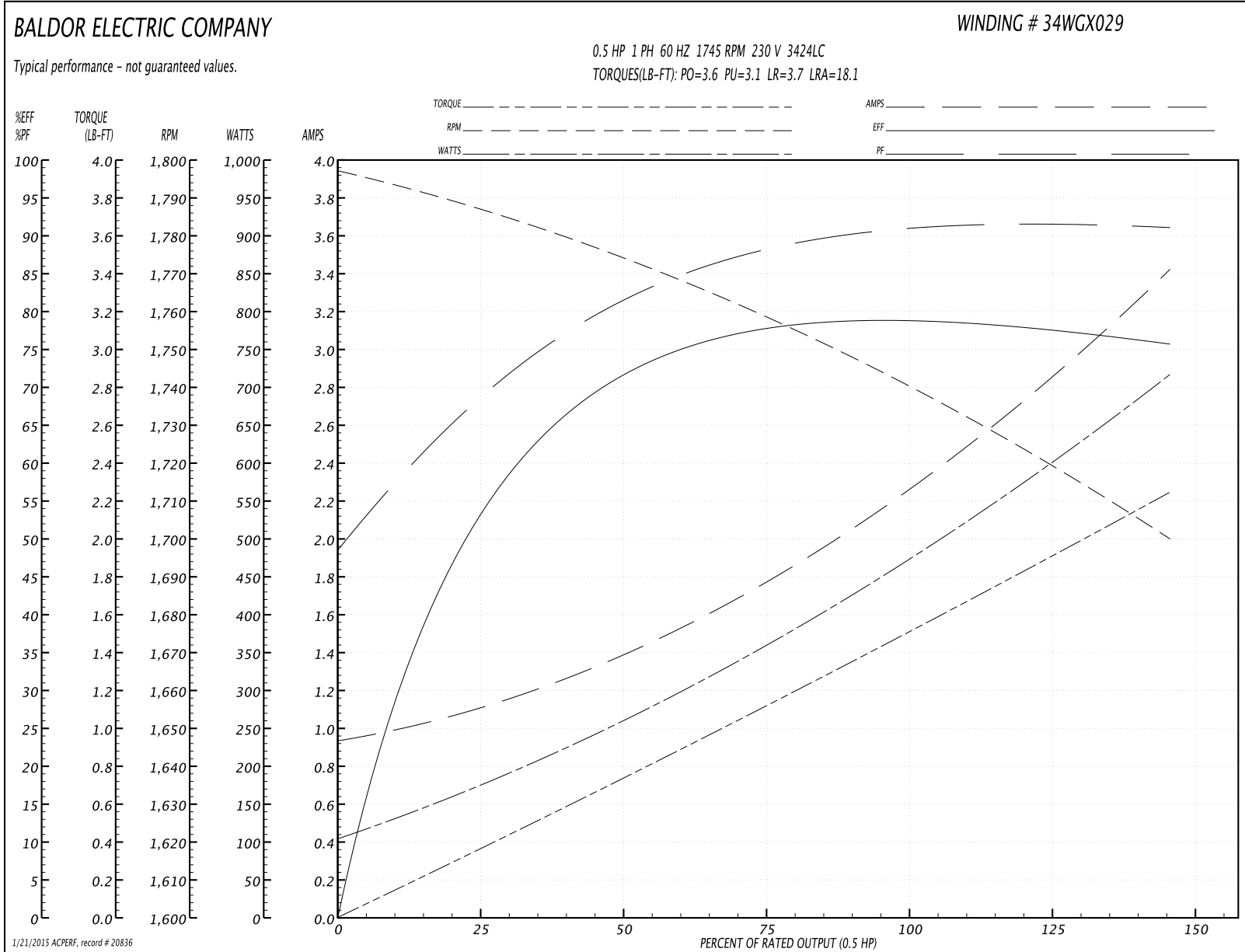
Winding: 34WGX029-R002	Type: 3424LC	Enclosure: TEFC
-------------------------------	---------------------	------------------------

Nameplate Data				230 V, 60 Hz: High Voltage Connection	
Rated Output (HP)	.5			Full Load Torque	1.5 LB-FT
Volts	115/230			Start Configuration	direct on line
Full Load Amps	4.6/2.3			Breakdown Torque	3.6 LB-FT
R.P.M.	1745			Pull-up Torque	3.1 LB-FT
Hz	60	Phase	1	Locked-rotor Torque	3.7 LB-FT
NEMA Design Code	N	KVA Code	K	Starting Current	18.1 A
Service Factor (S.F.)	1.25			No-load Current	1 A
NEMA Nom. Eff.	78.5	Power Factor	89	Line-line Res. @ 25°C	5.16 Ω A Ph 4.01 Ω B Ph
Rating - Duty	40C AMB-CONT			Temp. Rise @ Rated Load	57°C
S.F. Amps	5.6/2.8			Temp. Rise @ S.F. Load	71°C

Load Characteristics 230 V, 60 Hz, 0.5 HP

% of Rated Load	25	50	75	100	125	150	S.F.
Power Factor	64	79	87	90	92	93	92
Efficiency	56.9	72.4	76.5	78.4	77.8	75.8	77.8
Speed	1786	1773	1758	1742	1722	1699	1722
Line amperes	1	1.4	1.8	2.3	2.8	3.4	2.8

Performance Graph at 230V, 60Hz, 0.5HP Typical performance - Not guaranteed values



1/21/2015 ACPERF, record # 20836

AC Induction Motor Performance Data

Record # 43326 - Typical performance - not guaranteed values

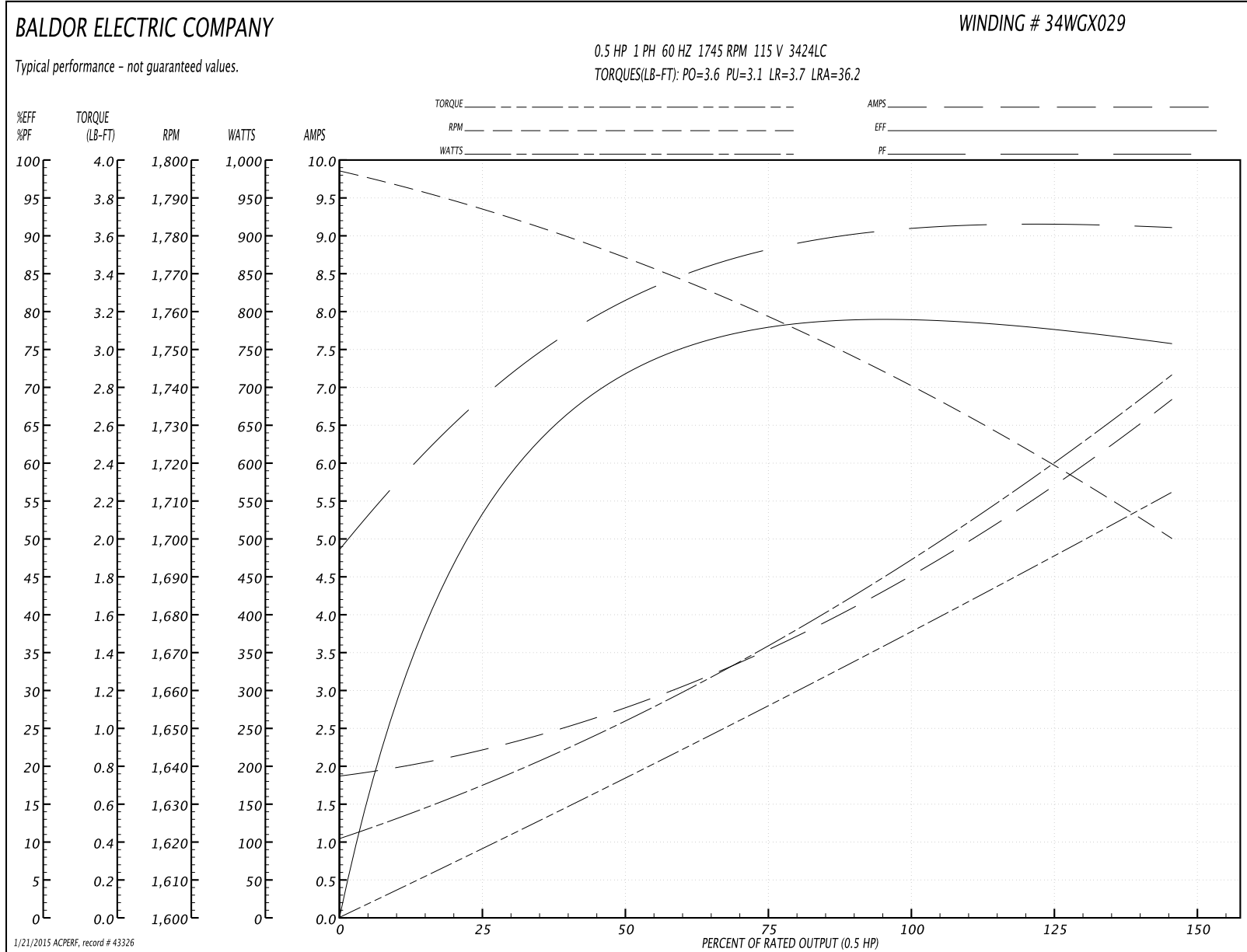
Winding: 34WGX029-R002	Type: 3424LC	Enclosure: TEFC
-------------------------------	---------------------	------------------------

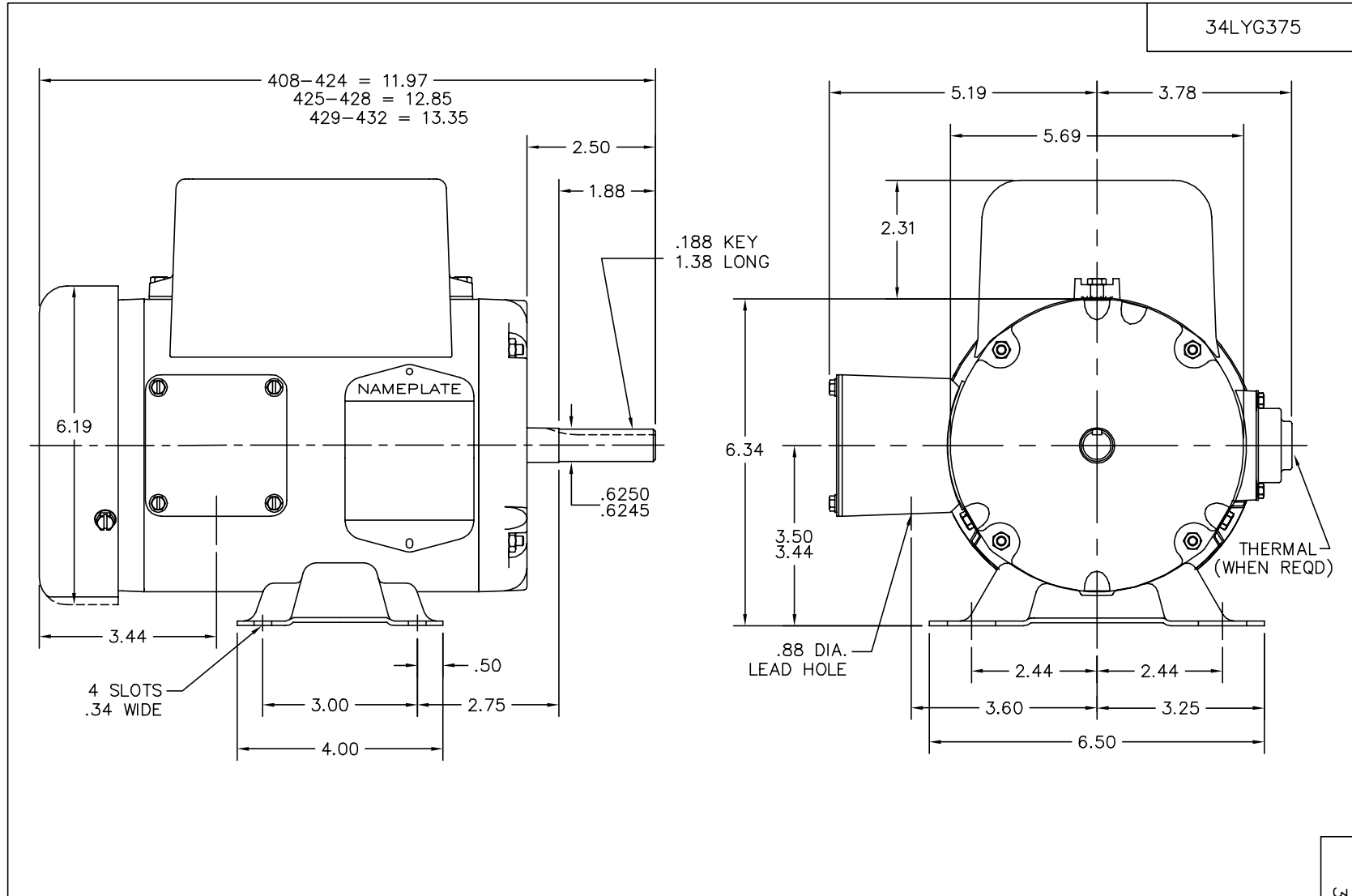
Nameplate Data				115 V, 60 Hz: Low Voltage Connection	
Rated Output (HP)	.5			Full Load Torque	1.5 LB-FT
Volts	115/230			Start Configuration	direct on line
Full Load Amps	4.6/2.3			Breakdown Torque	3.6 LB-FT
R.P.M.	1745			Pull-up Torque	3.1 LB-FT
Hz	60	Phase	1	Locked-rotor Torque	3.7 LB-FT
NEMA Design Code	N	KVA Code	K	Starting Current	36.2 A
Service Factor (S.F.)	1.25			No-load Current	2 A
NEMA Nom. Eff.	78.5	Power Factor	89	Line-line Res. @ 25°C	1.18 Ω A Ph 4.17 Ω B Ph
Rating - Duty	40C AMB-CONT			Temp. Rise @ Rated Load	57°C
S.F. Amps	5.6/2.8			Temp. Rise @ S.F. Load	71°C

Load Characteristics 115 V, 60 Hz, 0.5 HP

% of Rated Load	25	50	75	100	125	150	S.F.
Power Factor	73	81	89	89	91	92	91
Efficiency	57	72.4	76.9	78.5	78.1	75.9	78.1
Speed	1786	1773	1758	1742	1722	1699	1722
Line amperes	2	2.8	3.6	4.6	5.6	6.8	5.6

Performance Graph at 115V, 60Hz, 0.5HP Typical performance - Not guaranteed values





CUSTOMER IS RESPONSIBLE FOR DETERMINING THAT MOTOR PERFORMANCE IS SUITABLE IN THE APPLICATION.

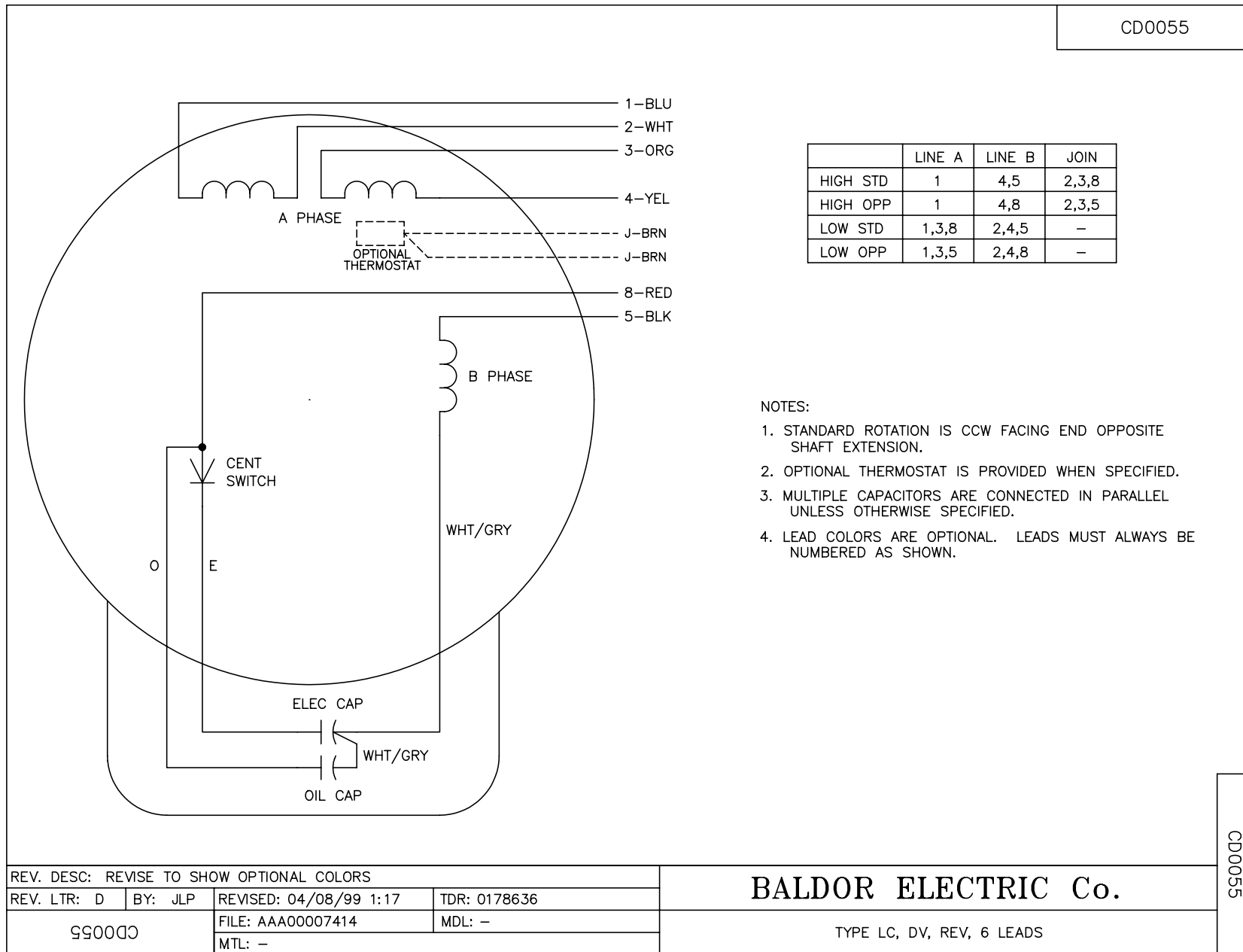
REV. DESC: UPDATE GRAPHIC TO MATCH WITH BOM			
REV. LTR: B	VERSION: 01	TDR: 000000410278	
34YG375	FILE: \AAA\00038\540	REVISED: 07:05:10 10/06/2006	
	MTL: -	BY: ENROSTO	

BALDOR ELECTRIC Co.

HORZ 34LC NEMA 56 TEFC

34LYG375

CD0055



REV. DESC: REVISE TO SHOW OPTIONAL COLORS			
REV. LTR: D	BY: JLP	REVISED: 04/08/99 1:17	TDR: 0178636
990000		FILE: AAA00007414	MDL: -
		MTL: -	

BALDOR ELECTRIC Co.

TYPE LC, DV, REV, 6 LEADS

CD0055