

BALDOR® • **RELIANCE**

Product Information Packet

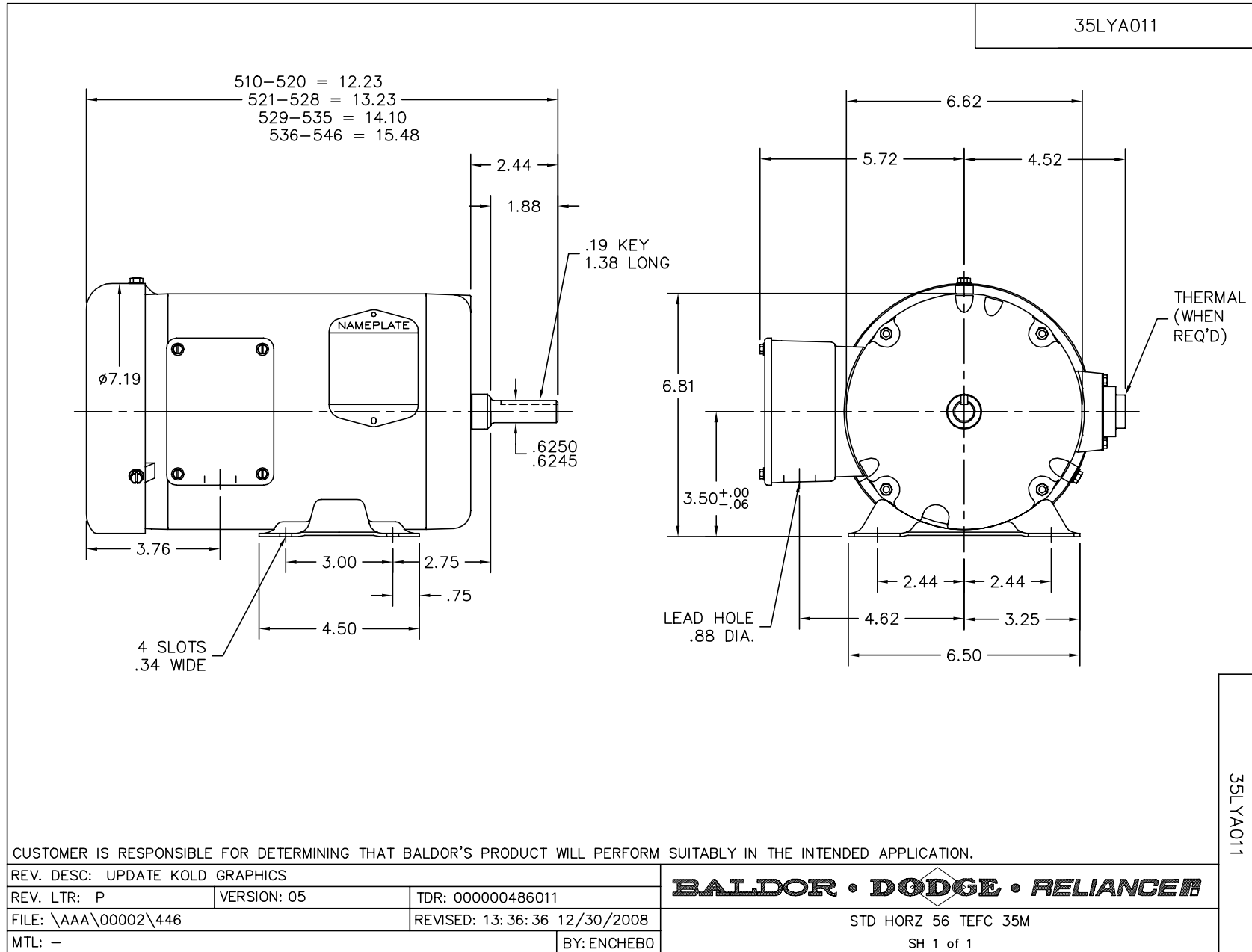
EM3538

.5HP, 1750RPM, 3PH, 60HZ, 56, 3516M, TEFC, F1, N

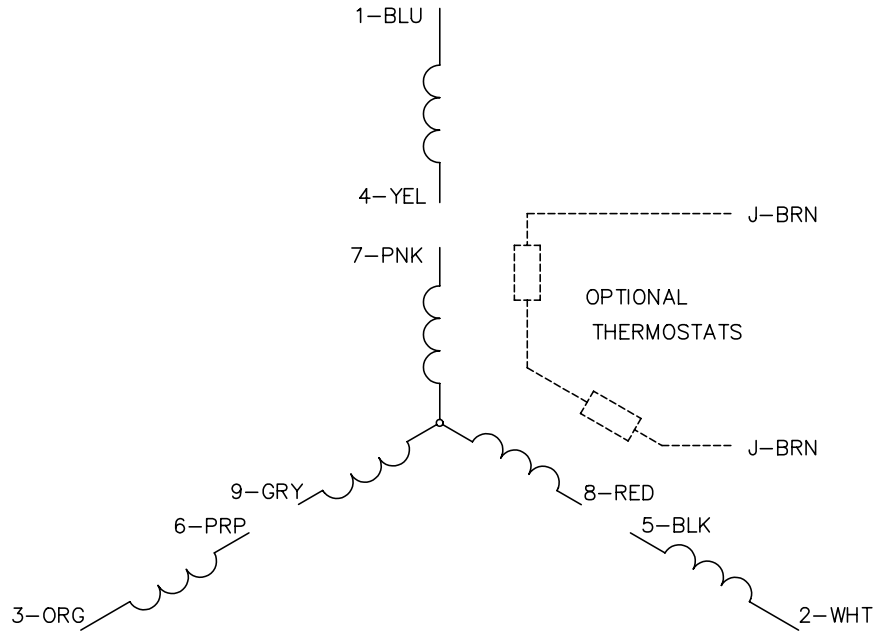
Part Detail							
Revision:	G	Status:	PRD/A	Change #:		Proprietary:	No
Type:	AC	Prod. Type:	3513M	Elec. Spec:	35WGP862	CD Diagram:	CD0005
Enclosure:	TEFC	Mfg Plant:		Mech. Spec:	35A011	Layout:	35LYA011
Frame:	56	Mounting:	F1	Poles:	04	Created Date:	11-24-2010
Base:	RG	Rotation:	R	Insulation:	F	Eff. Date:	07-11-2014
Leads:	9#18					Replaced By:	
Literature:		Elec. Diagram:					

Nameplate NP2116L						
CAT.NO.	EM3538					
SPEC.	35A011P862G1					
HP	.5					
VOLTS	230/460					
AMP	1.54/.77					
RPM	1735					
FRAME	56	HZ	60	PH	3	
SER.F.	1.15	CODE	K	DES	B	CL F
NEMA-NOM-EFF	82.5	PF	74			
RATING	40C AMB-CONT					
CC		USABLE AT 208V	1.68			
DE	6205	ODE	6203			
ENCL	TEFC	SN				

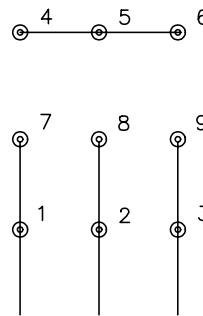
No performance data has been
assigned to this product.



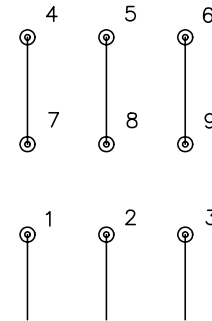
CD0005



LOW VOLTAGE
(2Y)



HIGH VOLTAGE
(1Y)



NOTES:

1. INTERCHANGE ANY TWO LINE LEADS TO REVERSE ROTATION.
2. OPTIONAL THERMOSTATS ARE PROVIDED WHEN SPECIFIED.
3. ACTUAL NUMBER OF INTERNAL PARALLEL CIRCUITS MAY BE A MULTIPLE OF THOSE SHOWN ABOVE.
4. LEAD COLORS ARE OPTIONAL. LEADS MUST ALWAYS BE NUMBERED AS SHOWN.

REV. DESC: REVISE TO SHOW OPTIONAL COLORS			
REV. LTR: E	BY: JLP	REVISED: 01/19/99 10:15	TDR: 0171435
90000		FILE: AAA00005140	MDL: -
		MTL: -	

BALDOR ELECTRIC Co.

3PH, DV, 9 LEADS

CD0005