

BALDOR® • ***RELIANCE***

Product Information Packet

EM3555T

2HP,3490RPM,3PH,60HZ,145T,3526M,TEFC,F1

Part Detail							
Revision:	E	Status:	PRD/A	Change #:		Proprietary:	No
Type:	AC	Prod. Type:	3526M	Elec. Spec:	35WGM774	CD Diagram:	CD0005
Enclosure:	TEFC	Mfg Plant:		Mech. Spec:	35TT638	Layout:	35LYTT638
Frame:	145T	Mounting:	F1	Poles:	02	Created Date:	07-15-2010
Base:	RG	Rotation:	R	Insulation:	F	Eff. Date:	01-30-2013
Leads:	9#18					Replaced By:	
Literature:		Elec. Diagram:					

Nameplate NP1259L						
CAT.NO.	EM3555T					
SPEC.	35TT638M774G1					
HP	2					
VOLTS	208-230/460					
AMP	5.3-5/2.5					
RPM	3490					
FRAME	145T	HZ	60	PH	3	
SER.F.	1.15	CODE	M	DES	B	CL F
NEMA-NOM-EFF	85.5	PF	88			
RATING	40C AMB-CONT					
CC	010A	USABLE AT 208V				
DE	6205	ODE	6203			
ENCL	TEFC	SN				

AC Induction Motor Performance Data

Record # 31837 - Typical performance - not guaranteed values

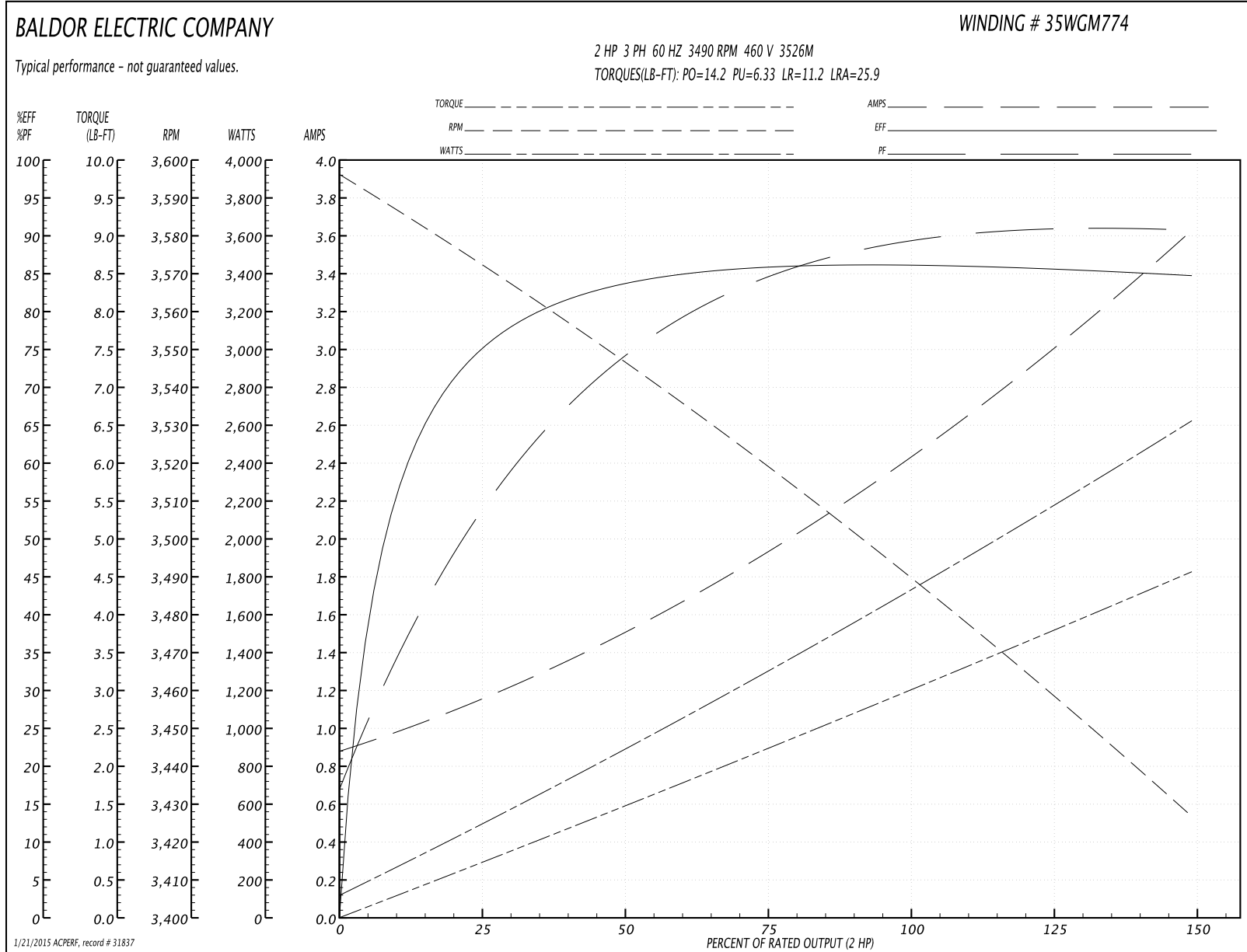
Winding: 35WGM774-R001	Type: 3526M	Enclosure: TEFC
-------------------------------	--------------------	------------------------

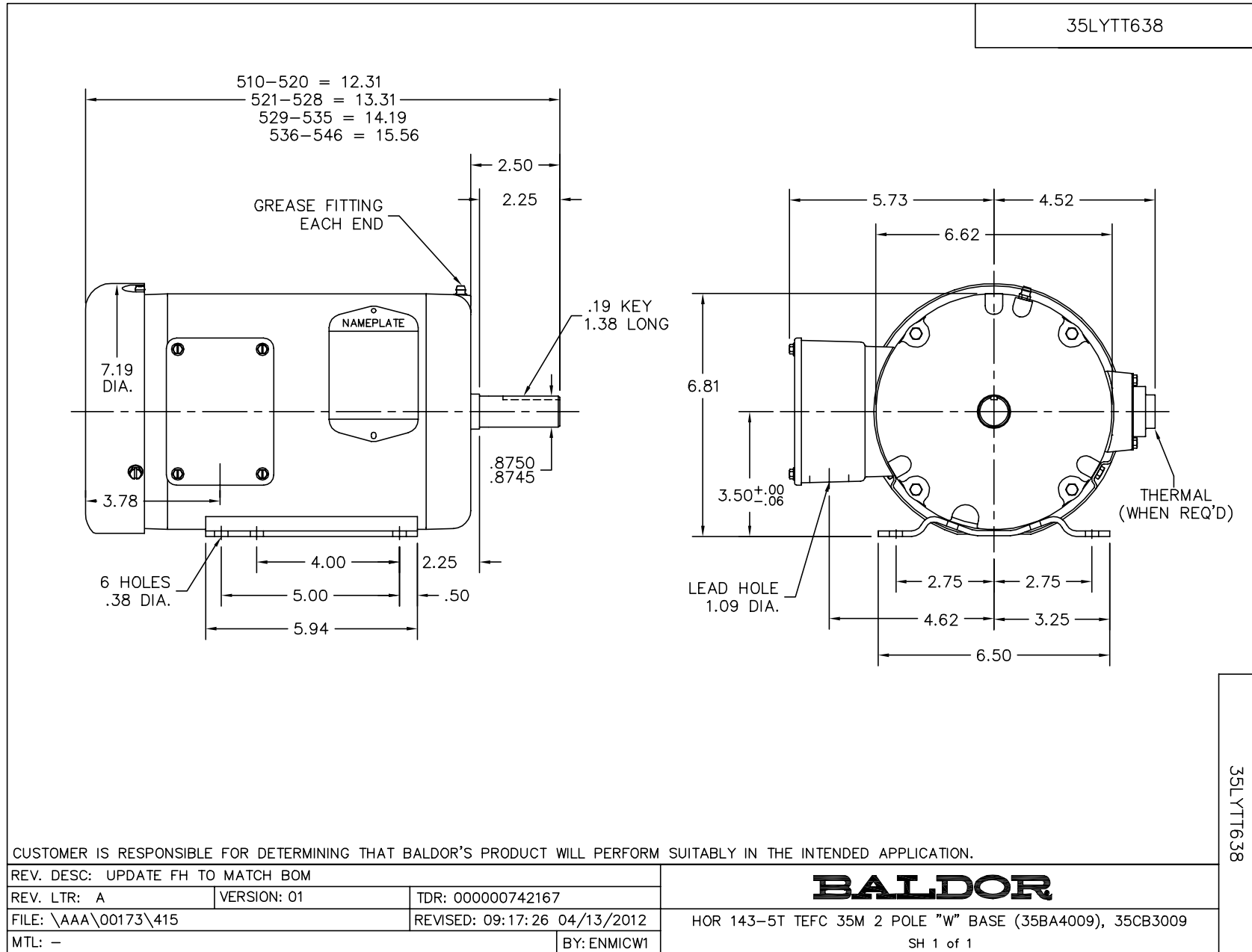
Nameplate Data				460 V, 60 Hz: High Voltage Connection	
Rated Output (HP)	2			Full Load Torque	2.98 LB-FT
Volts	208-230/460			Start Configuration	direct on line
Full Load Amps	5.3-5/2.5			Breakdown Torque	14.2 LB-FT
R.P.M.	3490			Pull-up Torque	6.33 LB-FT
Hz	60	Phase	3	Locked-rotor Torque	11.2 LB-FT
NEMA Design Code	B	KVA Code	M	Starting Current	25.9 A
Service Factor (S.F.)	1.15			No-load Current	0.912 A
NEMA Nom. Eff.	85.5	Power Factor	88	Line-line Res. @ 25°C	6.9119 Ω
Rating - Duty	40C AMB-CONT			Temp. Rise @ Rated Load	44°C
S.F. Amps				Temp. Rise @ S.F. Load	52°C
				Rotor inertia	0.0719 LF ²

Load Characteristics 460 V, 60 Hz, 2 HP

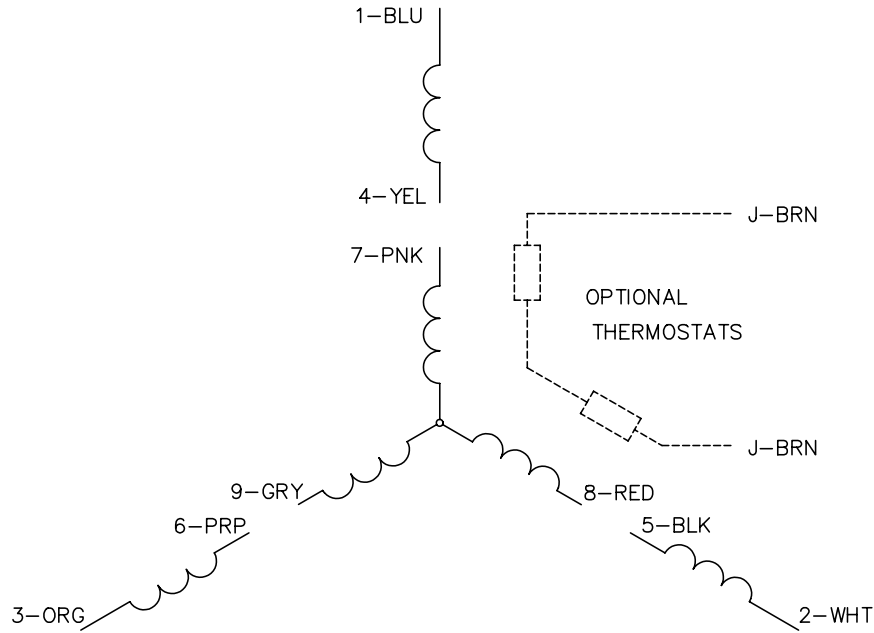
% of Rated Load	25	50	75	100	125	150	S.F.
Power Factor	55	75	84	88	90	91	89
Efficiency	74.3	83.5	85.9	86.4	85.9	84.8	86.1
Speed	3571.7	3546.5	3520.2	3492.1	3460.7	3425.5	3473
Line amperes	1.1	1.47	1.93	2.44	3	3.61	2.78

Performance Graph at 460V, 60Hz, 2.0HP Typical performance - Not guaranteed values

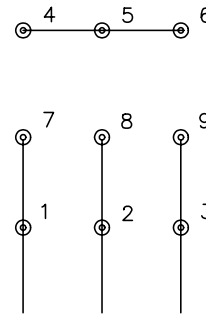




CD0005

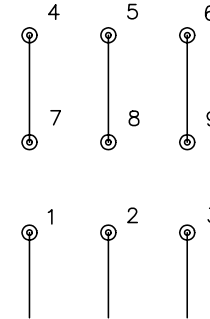


LOW VOLTAGE
(2Y)



LINE

HIGH VOLTAGE
(1Y)



LINE

NOTES:

1. INTERCHANGE ANY TWO LINE LEADS TO REVERSE ROTATION.
2. OPTIONAL THERMOSTATS ARE PROVIDED WHEN SPECIFIED.
3. ACTUAL NUMBER OF INTERNAL PARALLEL CIRCUITS MAY BE A MULTIPLE OF THOSE SHOWN ABOVE.
4. LEAD COLORS ARE OPTIONAL. LEADS MUST ALWAYS BE NUMBERED AS SHOWN.

REV. DESC: REVISE TO SHOW OPTIONAL COLORS

REV. LTR: E BY: JLP

REVISED: 01/19/99 10:15

TDR: 0171435

900003

FILE: AAA00005140

MDL: -

MTL: -

BALDOR ELECTRIC Co.

3PH, DV, 9 LEADS

CD0005