

# **BALDOR**® • *RELIANCE*

## **Product Information Packet**

# **EM3558**

**2HP,1755RPM,3PH,60HZ,56,3528M,TEFC,F1,N**

Part Detail							
Revision:	B	Status:	PRD/A	Change #:		Proprietary:	No
Type:	AC	Prod. Type:	3528M	Elec. Spec:	35WGN909	CD Diagram:	CD0005
Enclosure:	TEFC	Mfg Plant:		Mech. Spec:	35A011	Layout:	35LYA011
Frame:	56	Mounting:	F1	Poles:	04	Created Date:	06-19-2013
Base:	RG	Rotation:	R	Insulation:	F	Eff. Date:	07-11-2014
Leads:	9#18					Replaced By:	
Literature:		Elec. Diagram:					

Nameplate NP1259L							
CAT.NO.	EM3558						
SPEC.	35A011N909G1						
HP	2						
VOLTS	208-230/460						
AMP	5.8/2.9						
RPM	1755						
FRAME	56	HZ	60	PH	3		
SER.F.	1.15	CODE	L	DES	B	CL	F
NEMA-NOM-EFF	86.5	PF	75				
RATING	40C AMB-CONT						
CC	USABLE AT 208V						
DE	6205	ODE	6203				
ENCL	TEFC	SN					

**AC Induction Motor Performance Data**

Record # 42530 - Typical performance - not guaranteed values

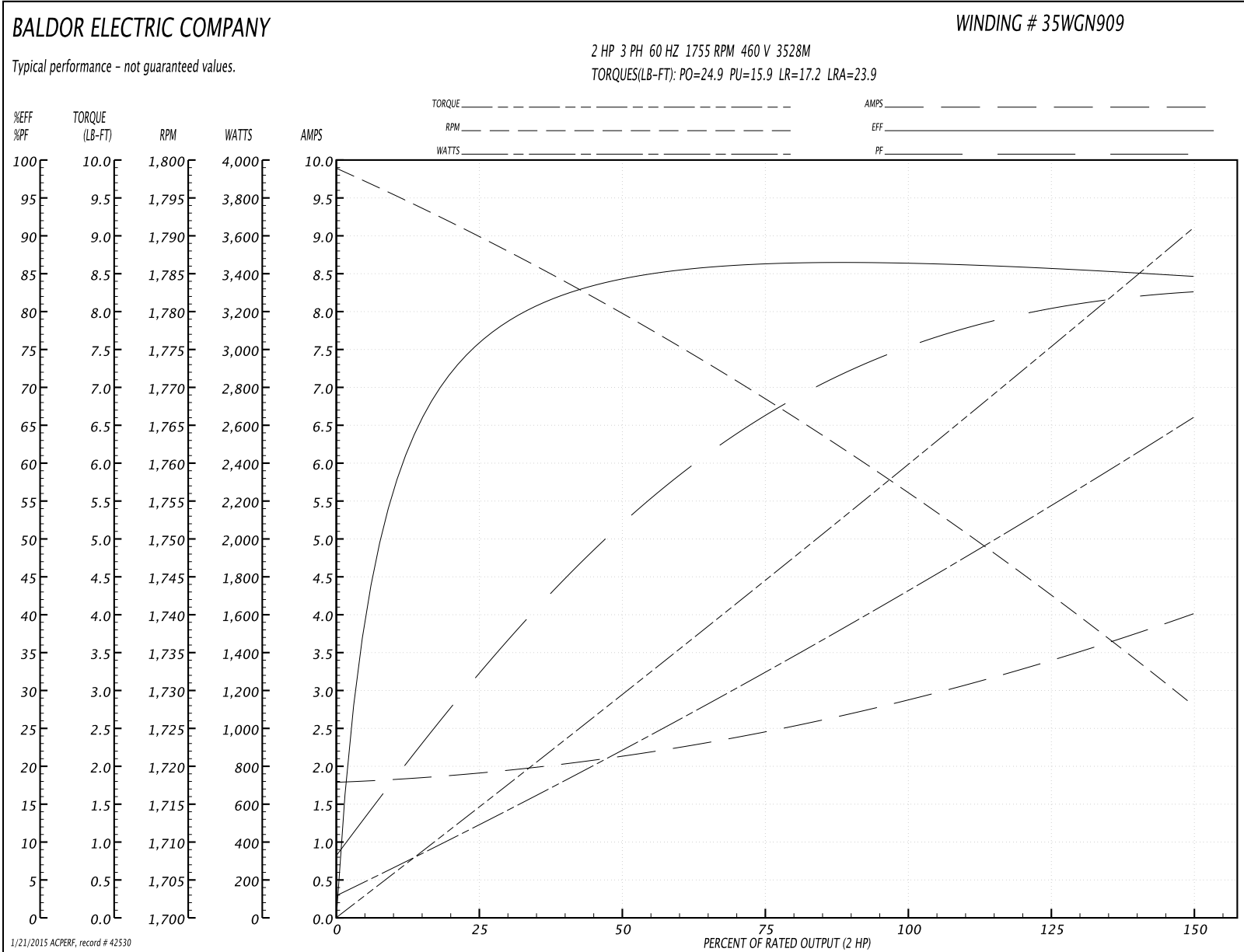
<b>Winding:</b> 35WGN909-R001	<b>Type:</b> 3528M	<b>Enclosure:</b> TEFC
-------------------------------	--------------------	------------------------

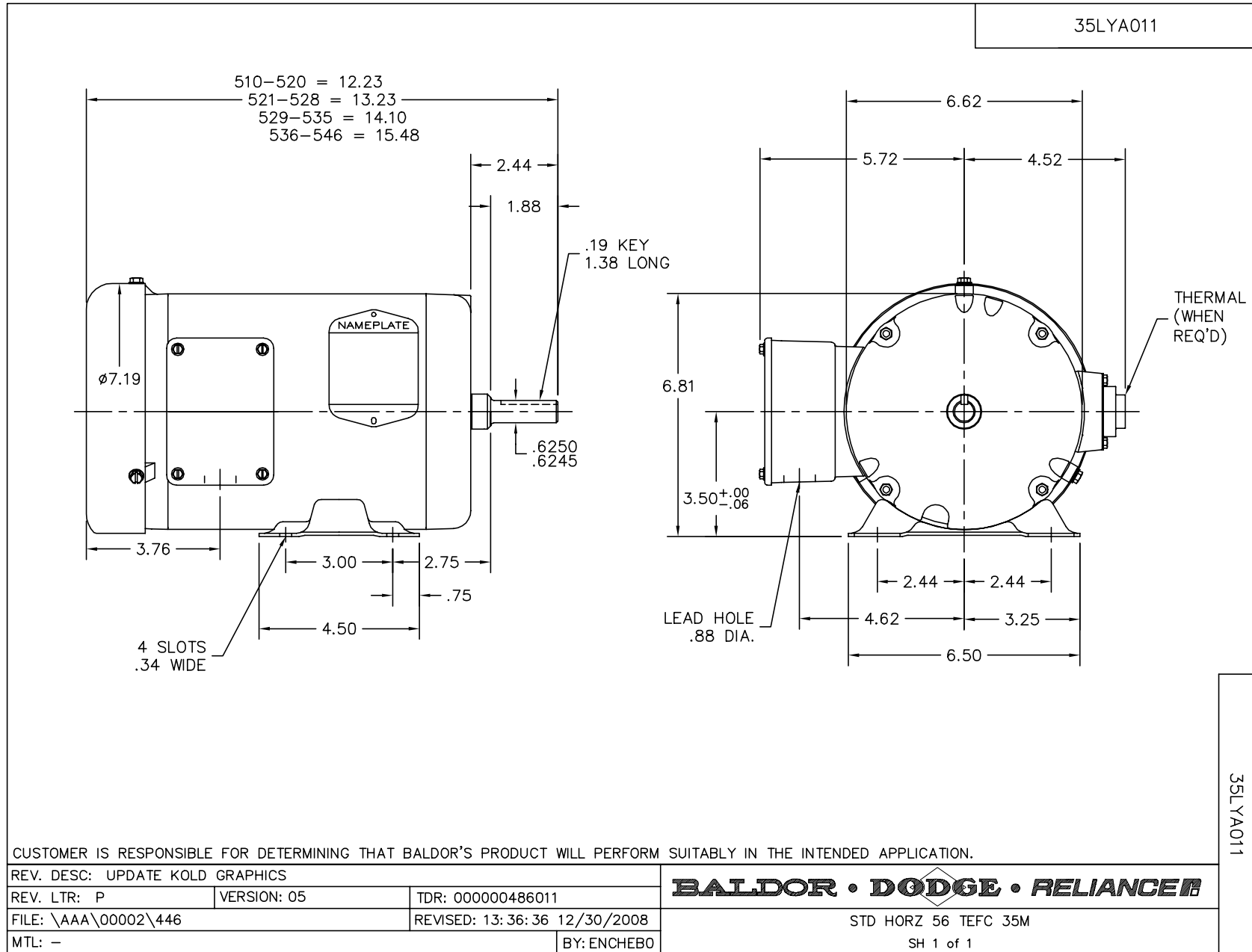
Nameplate Data				460 V, 60 Hz: High Voltage Connection	
Rated Output (HP)	2			Full Load Torque	5.985 LB-FT
Volts	208-230/460			Start Configuration	direct on line
Full Load Amps	5.8/2.9			Breakdown Torque	24.9 LB-FT
R.P.M.	1755			Pull-up Torque	15.9 LB-FT
Hz	60	Phase	3	Locked-rotor Torque	17.2 LB-FT
NEMA Design Code	B	KVA Code	L	Starting Current	23.9 A
Service Factor (S.F.)	1.15			No-load Current	1.81 A
NEMA Nom. Eff.	86.5	Power Factor	75	Line-line Res. @ 25°C	8.1641 Ω
Rating - Duty	40C AMB-CONT			Temp. Rise @ Rated Load	65°C
S.F. Amps				Temp. Rise @ S.F. Load	77°C
				Rotor inertia	0.165 LF <sup>2</sup>

Load Characteristics 460 V, 60 Hz, 2 HP

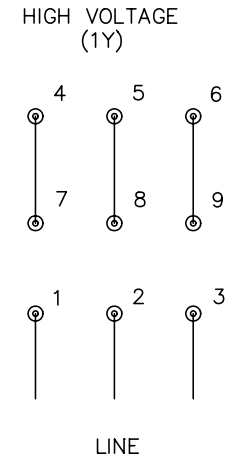
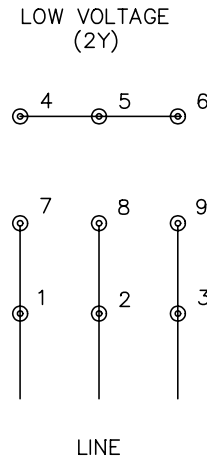
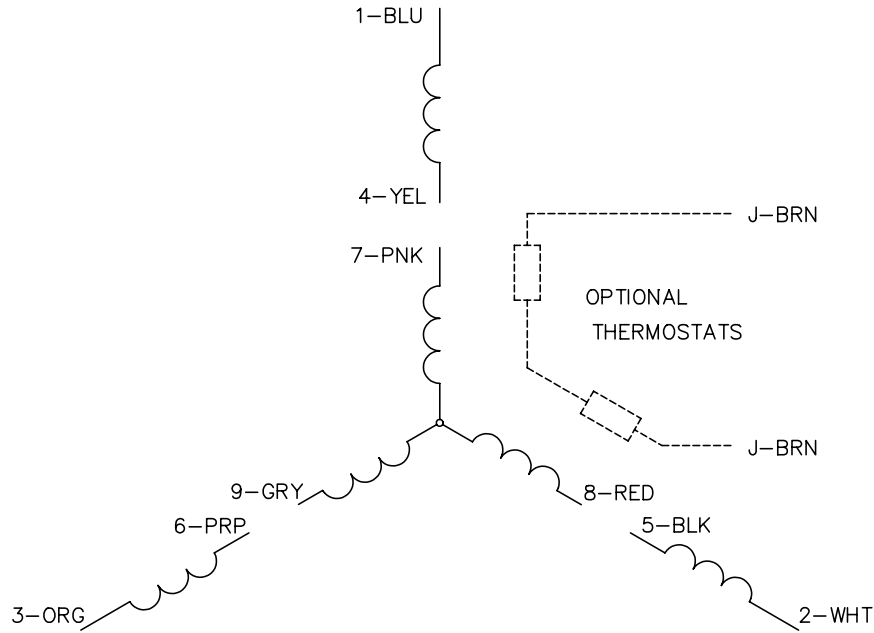
% of Rated Load	25	50	75	100	125	150	S.F.
Power Factor	33	53	66	75	80	83	78
Efficiency	75.7	84.1	86.3	86.5	85.9	84.6	86.1
Speed	1790	1779.4	1768.5	1756.1	1742.7	1727.9	1748
Line amperes	1.89	2.11	2.46	2.91	3.4	4	3.2

Performance Graph at 460V, 60Hz, 2.0HP Typical performance - Not guaranteed values





CD0005



NOTES:

1. INTERCHANGE ANY TWO LINE LEADS TO REVERSE ROTATION.
2. OPTIONAL THERMOSTATS ARE PROVIDED WHEN SPECIFIED.
3. ACTUAL NUMBER OF INTERNAL PARALLEL CIRCUITS MAY BE A MULTIPLE OF THOSE SHOWN ABOVE.
4. LEAD COLORS ARE OPTIONAL. LEADS MUST ALWAYS BE NUMBERED AS SHOWN.

REV. DESC: REVISE TO SHOW OPTIONAL COLORS			
REV. LTR: E	BY: JLP	REVISED: 01/19/99 10:15	TDR: 0171435
9000D		FILE: AAA00005140	MDL: -
		MTL: -	

**BALDOR ELECTRIC Co.**

3PH, DV, 9 LEADS

CD0005