

BALDOR® • ***RELIANCE***

Product Information Packet

EM3614T

2HP,1170RPM,3PH,60HZ,184T,3644M,TEFC,F1

Part Detail							
Revision:	E	Status:	PRD/A	Change #:		Proprietary:	No
Type:	AC	Prod. Type:	3644M	Elec. Spec:	36WGS917	CD Diagram:	CD0005
Enclosure:	TEFC	Mfg Plant:		Mech. Spec:	36G271	Layout:	36LYG271
Frame:	184T	Mounting:	F1	Poles:	06	Created Date:	04-17-2012
Base:	RG	Rotation:	R	Insulation:	F	Eff. Date:	12-23-2013
Leads:	9#16					Replaced By:	
Literature:		Elec. Diagram:					

Nameplate NP1259L						
CAT.NO.	EM3614T					
SPEC.	36G271S917G1					
HP	2					
VOLTS	208-230/460					
AMP	7/3.5					
RPM	1175					
FRAME	184T	HZ	60	PH	3	
SER.F.	1.15	CODE	M	DES	A	CL F
NEMA-NOM-EFF	88.5	PF	60			
RATING	40C AMB-CONT					
CC	010A	USABLE AT 208V				
DE	6206	ODE	6205			
ENCL	TEFC	SN				

AC Induction Motor Performance Data

Record # 46662 - Typical performance - not guaranteed values

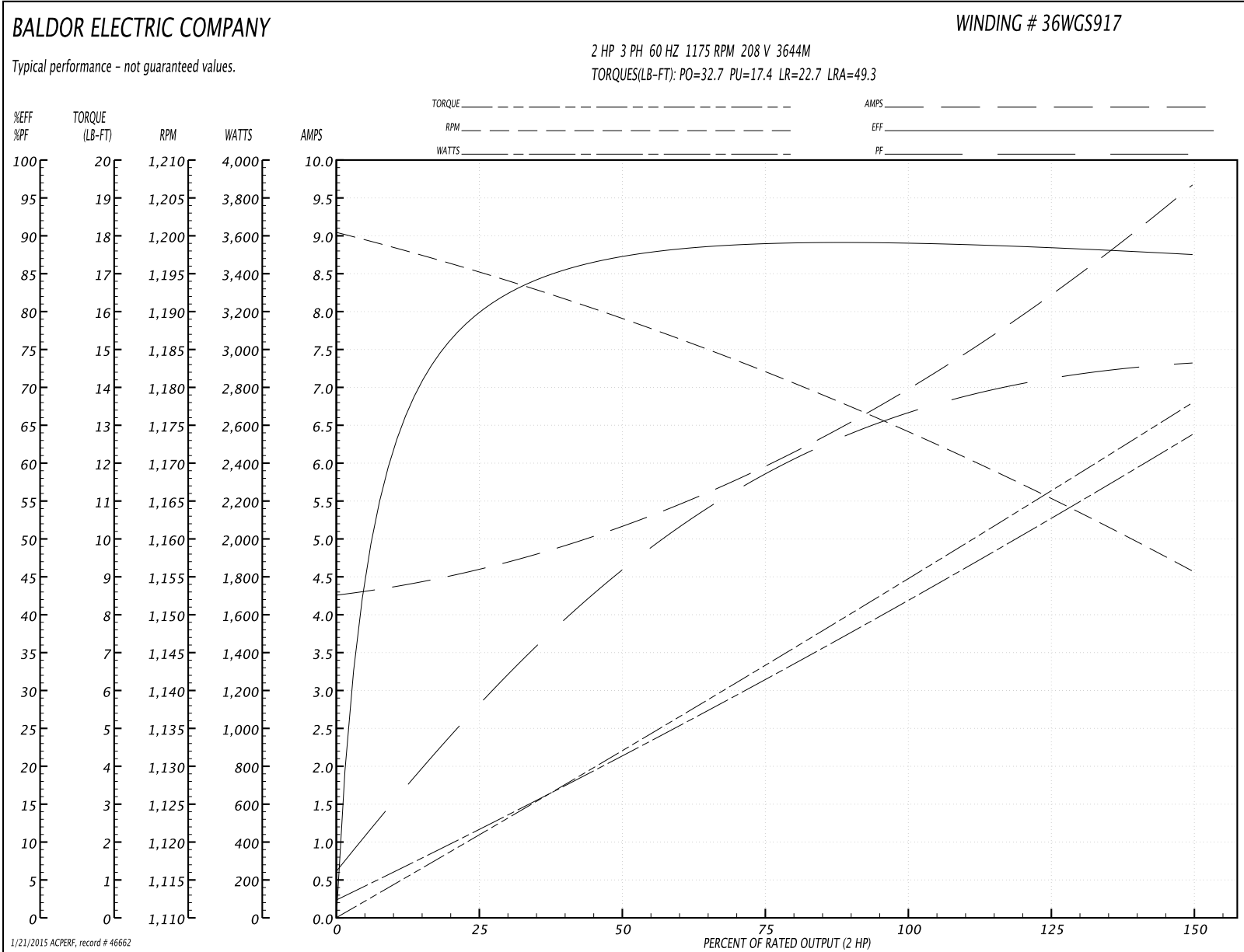
Winding: 36WGS917-R001	Type: 3644M	Enclosure: TEFC
-------------------------------	--------------------	------------------------

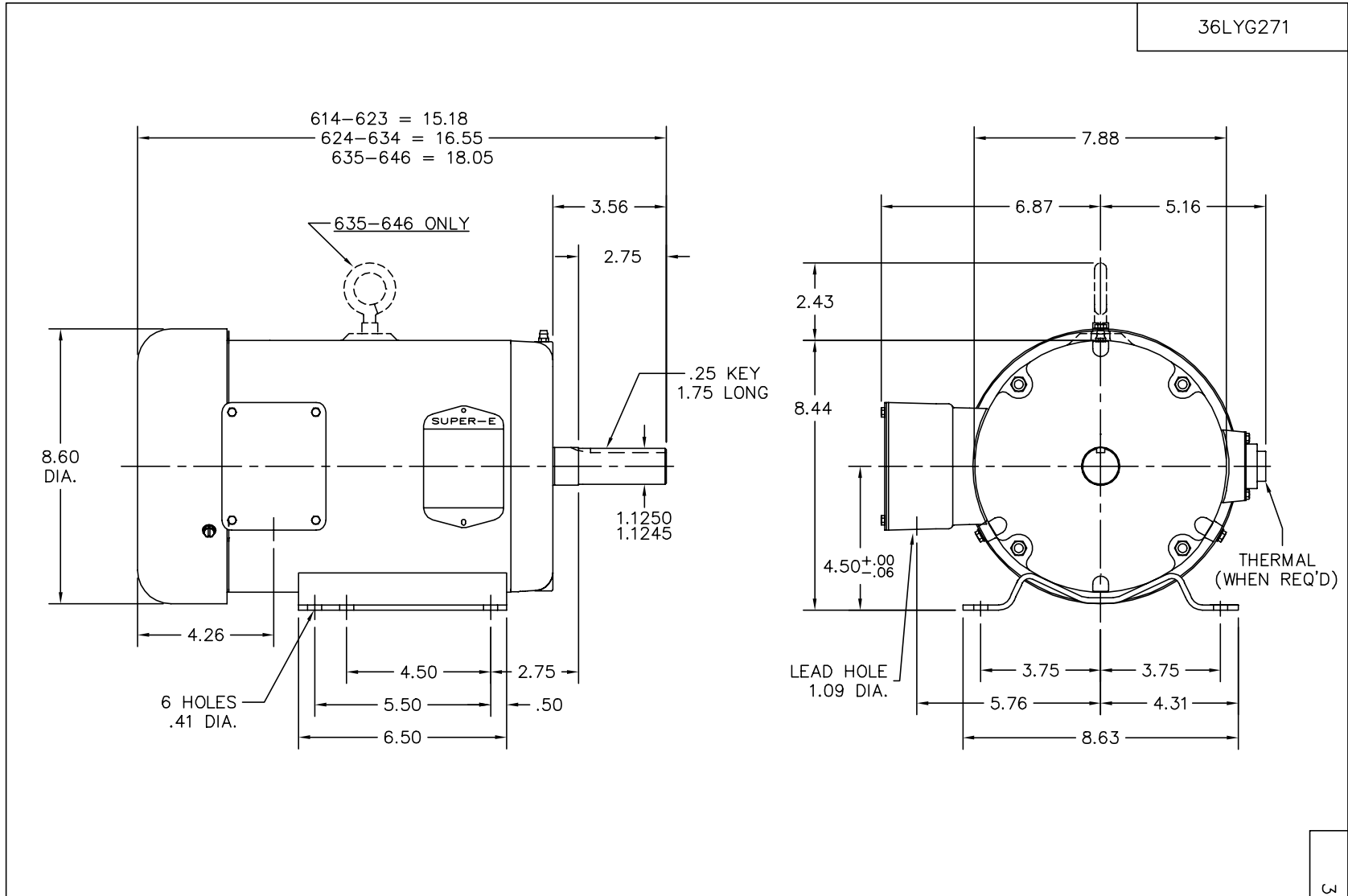
Nameplate Data				208 V, 60 Hz: Single Voltage Motor	
Rated Output (HP)	2			Full Load Torque	8.94 LB-FT
Volts	208-230/460			Start Configuration	direct on line
Full Load Amps	7/3.5			Breakdown Torque	32.7 LB-FT
R.P.M.	1175			Pull-up Torque	17.4 LB-FT
Hz	60	Phase	3	Locked-rotor Torque	22.7 LB-FT
NEMA Design Code	A	KVA Code	M	Starting Current	49.3 A
Service Factor (S.F.)	1.15			No-load Current	4.31 A
NEMA Nom. Eff.	88.5	Power Factor	60	Line-line Res. @ 25°C	1.01 Ω
Rating - Duty	40C AMB-CONT			Temp. Rise @ Rated Load	33°C
S.F. Amps				Temp. Rise @ S.F. Load	39°C
				Rotor inertia	0.413 LF ²

Load Characteristics 208 V, 60 Hz, 2 HP

% of Rated Load	25	50	75	100	125	150	S.F.
Power Factor	29	47	58	66	71	74	69
Efficiency	79.7	87	88.8	89.1	88.9	87.3	89
Speed	1196	1189	1182	1174	1165	1156	1169
Line amperes	4.53	5.13	5.99	7.02	8.24	9.65	7.75

Performance Graph at 208V, 60Hz, 2.0HP Typical performance - Not guaranteed values





CUSTOMER IS RESPONSIBLE FOR DETERMINING THAT MOTOR PERFORMANCE IS SUITABLE IN THE APPLICATION.

REV. DESC: FREEZE LINES SHOWING THROUGH CAPACITOR/KO BOX		
REV. LTR: H	VERSION: 04	TDR: 000000384004
1Z9A79Z	FILE: \AAA\00003\771	REVISED: 16:52:27 12/22/2005
	MTL: -	BY: ENCHRCO

BALDOR ELECTRIC Co.

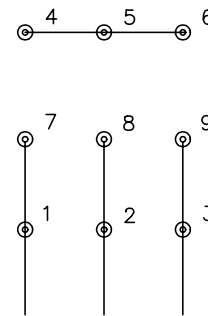
STD HORZ 182-4T TEFC 36M SUPER-E

36LYG271

CD0005

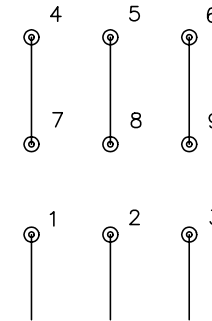


LOW VOLTAGE
(2Y)



LINE

HIGH VOLTAGE
(1Y)



LINE

NOTES:

1. INTERCHANGE ANY TWO LINE LEADS TO REVERSE ROTATION.
2. OPTIONAL THERMOSTATS ARE PROVIDED WHEN SPECIFIED.
3. ACTUAL NUMBER OF INTERNAL PARALLEL CIRCUITS MAY BE A MULTIPLE OF THOSE SHOWN ABOVE.
4. LEAD COLORS ARE OPTIONAL. LEADS MUST ALWAYS BE NUMBERED AS SHOWN.

REV. DESC: REVISE TO SHOW OPTIONAL COLORS			
REV. LTR: E	BY: JLP	REVISED: 01/19/99 10:15	TDR: 0171435
9000D		FILE: AAA00005140	MDL: -
		MTL: -	

BALDOR ELECTRIC Co.

3PH, DV, 9 LEADS

CD0005