

# **BALDOR**® • *RELIANCE*

## **Product Information Packet**

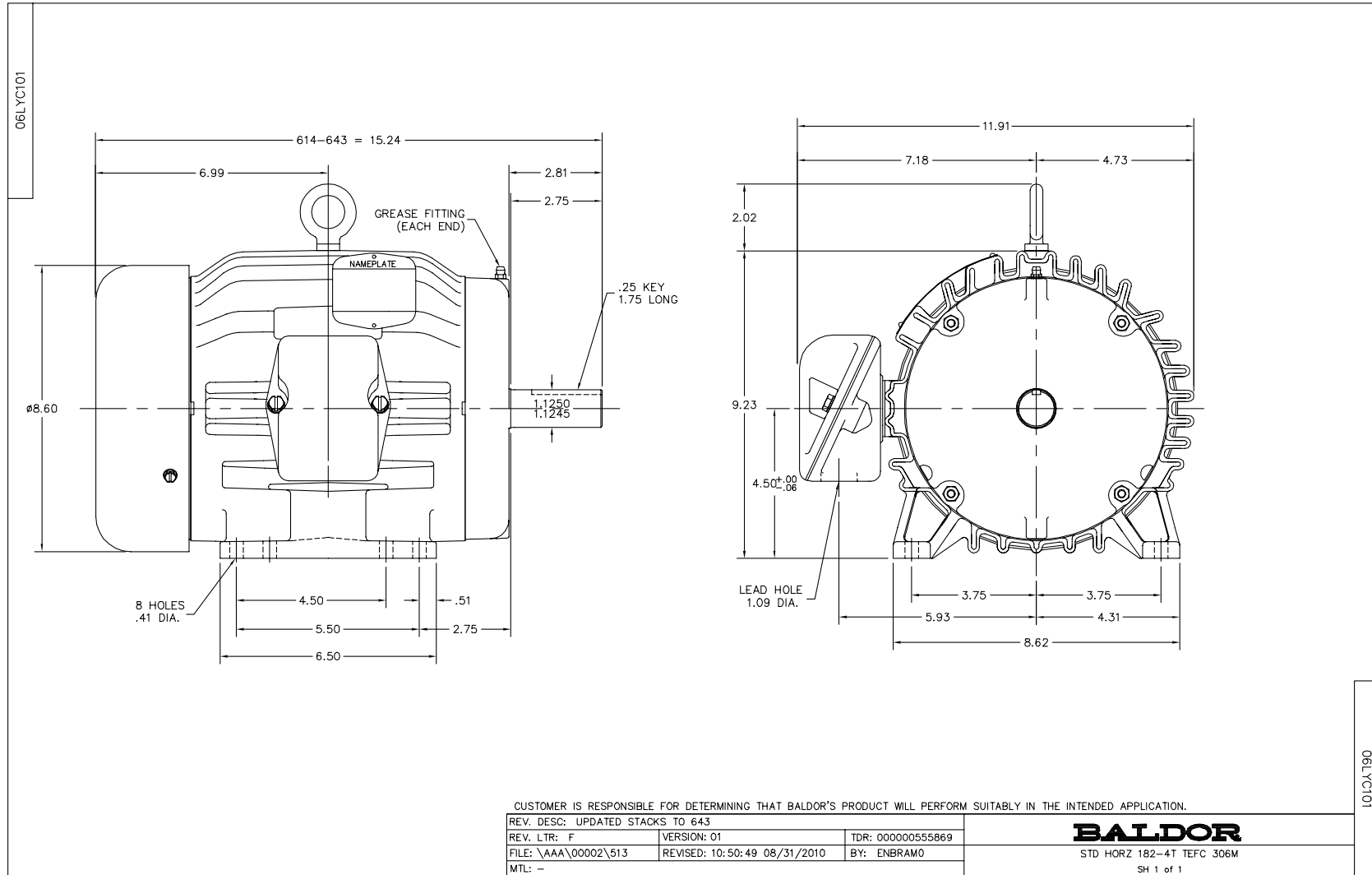
# **EM3664T**

**2HP,1165RPM,3PH,60HZ,184T,0642M,TEFC,F1**

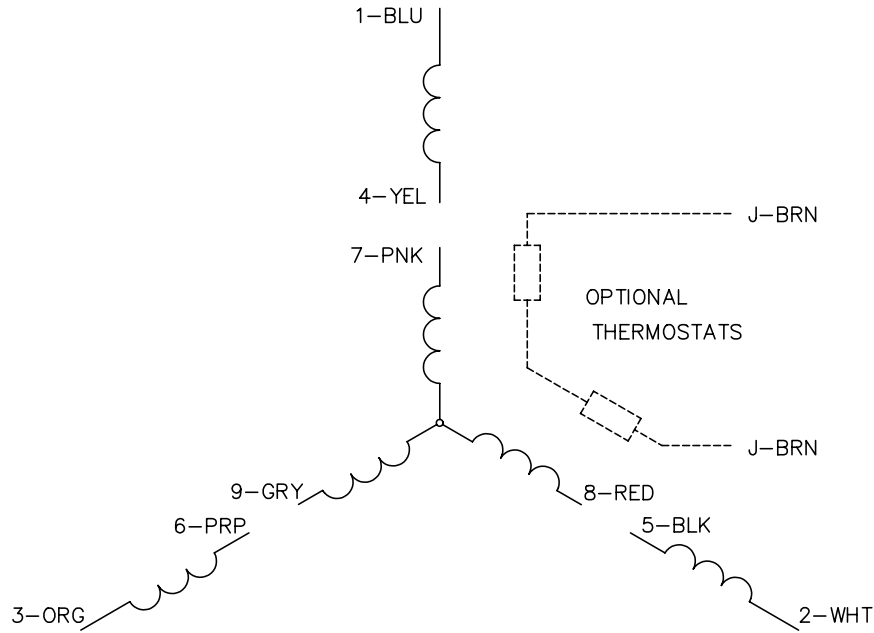
Part Detail							
Revision:	C	Status:	PRD/A	Change #:		Proprietary:	No
Type:	AC	Prod. Type:	0642M	Elec. Spec:	06WGW970	CD Diagram:	CD0005
Enclosure:	TEFC	Mfg Plant:		Mech. Spec:	06C101	Layout:	06LYC101
Frame:	184T	Mounting:	F1	Poles:	06	Created Date:	12-02-2010
Base:	RG	Rotation:	R	Insulation:	F	Eff. Date:	02-05-2013
Leads:	9#16					Replaced By:	
Literature:		Elec. Diagram:					

Nameplate NP1259L						
CAT.NO.	EM3664T					
SPEC.	06C101W970G1					
HP	2					
VOLTS	230/460					
AMP	6.3/3.15					
RPM	1165					
FRAME	184T	HZ	60	PH	3	
SER.F.	1.15	CODE	K	DES	B	CL F
NEMA-NOM-EFF	88.5	PF	68			
RATING	40C AMB-CONT					
CC	010A	USABLE AT 208V				
DE	6206	ODE	6205			
ENCL	TEFC	SN				

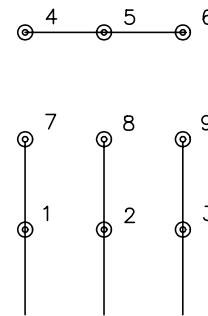
No performance data has been  
assigned to this product.



CD0005

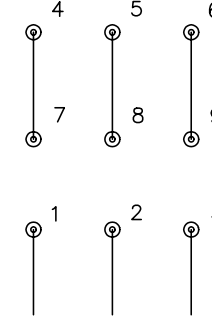


LOW VOLTAGE  
(2Y)



LINE

HIGH VOLTAGE  
(1Y)



LINE

NOTES:

1. INTERCHANGE ANY TWO LINE LEADS TO REVERSE ROTATION.
2. OPTIONAL THERMOSTATS ARE PROVIDED WHEN SPECIFIED.
3. ACTUAL NUMBER OF INTERNAL PARALLEL CIRCUITS MAY BE A MULTIPLE OF THOSE SHOWN ABOVE.
4. LEAD COLORS ARE OPTIONAL. LEADS MUST ALWAYS BE NUMBERED AS SHOWN.

REV. DESC: REVISE TO SHOW OPTIONAL COLORS			
REV. LTR: E	BY: JLP	REVISED: 01/19/99 10:15	TDR: 0171435
9000D		FILE: AAA00005140	MDL: -
		MTL: -	

**BALDOR ELECTRIC Co.**

3PH, DV, 9 LEADS

CD0005