

BALDOR® • **RELIANCE**

Product Information Packet

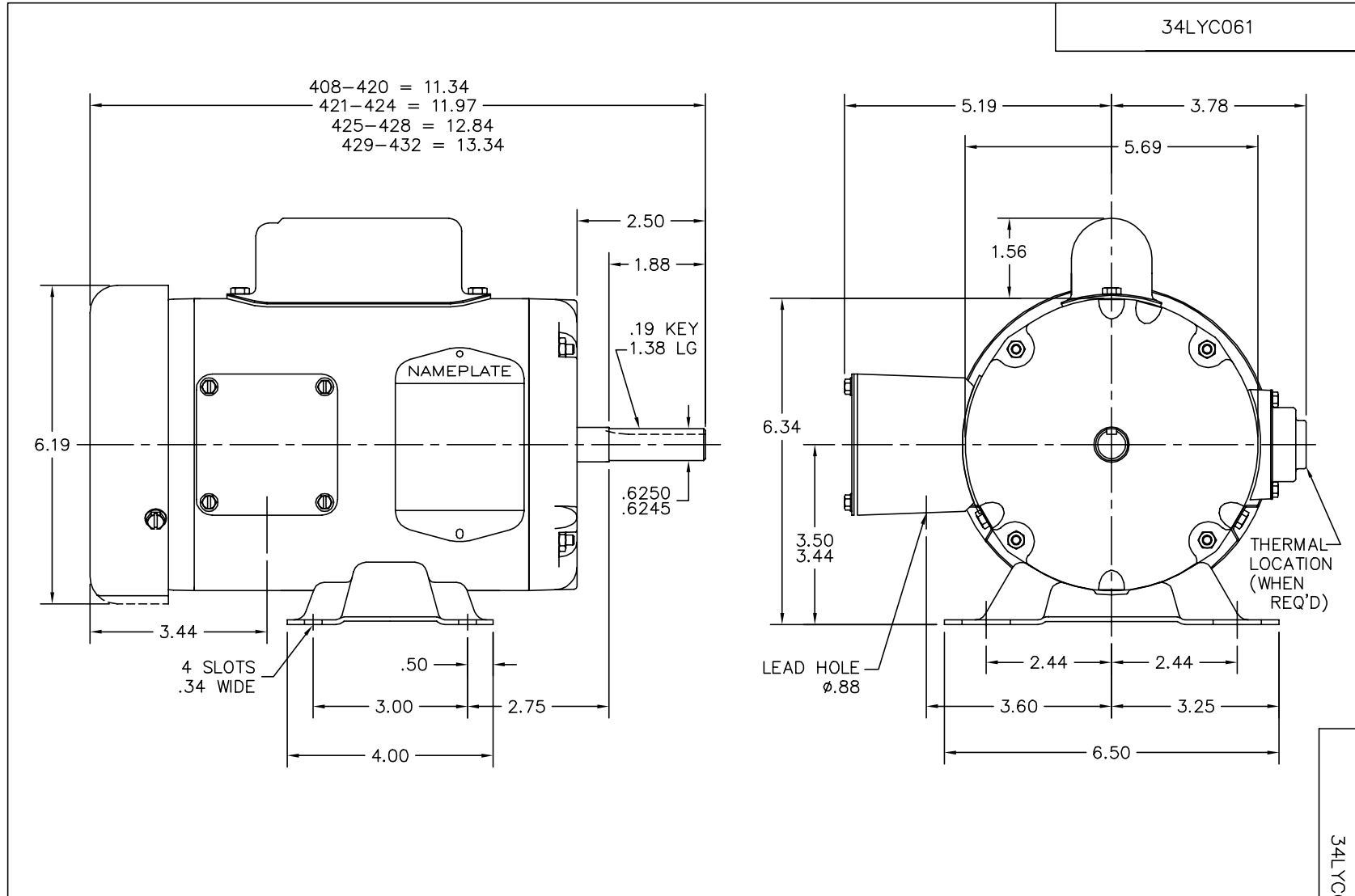
L3504

.5HP, 1725RPM, 1PH, 60HZ, 56, 3421L, TEFC, F1

Part Detail							
Revision:	AA	Status:	PRD/A	Change #:		Proprietary:	No
Type:	AC	Prod. Type:	3421L	Elec. Spec:	34WG5422	CD Diagram:	CD0001
Enclosure:	TEFC	Mfg Plant:		Mech. Spec:	34C061	Layout:	34LYC061
Frame:	56	Mounting:	F1	Poles:	04	Created Date:	
Base:	RG	Rotation:	R	Insulation:	B	Eff. Date:	11-11-2014
Leads:	6#18					Replaced By:	
Literature:		Elec. Diagram:					

Nameplate NP1256L							
CAT.NO.	L3504						
SPEC.	34C61-5422						
HP	.5						
VOLTS	115/230						
AMP	7.4/3.7						
RPM	1725						
FRAME	56	HZ	60	PH	1		
SER.F.	1.25	CODE	J	DES	N	CLASS	B
NEMA-NOM-EFF	68	PF	66				
RATING	40C AMB-CONT						
CC	USABLE AT 208V		4.3				
DE	6203	ODE	6203				
ENCL	TEFC	SN					
	SFA 8.2/4.1						

No performance data has been
assigned to this product.



CUSTOMER IS RESPONSIBLE FOR DETERMINING THAT BALDOR'S PRODUCT WILL PERFORM SUITABLY IN THE INTENDED APPLICATION.

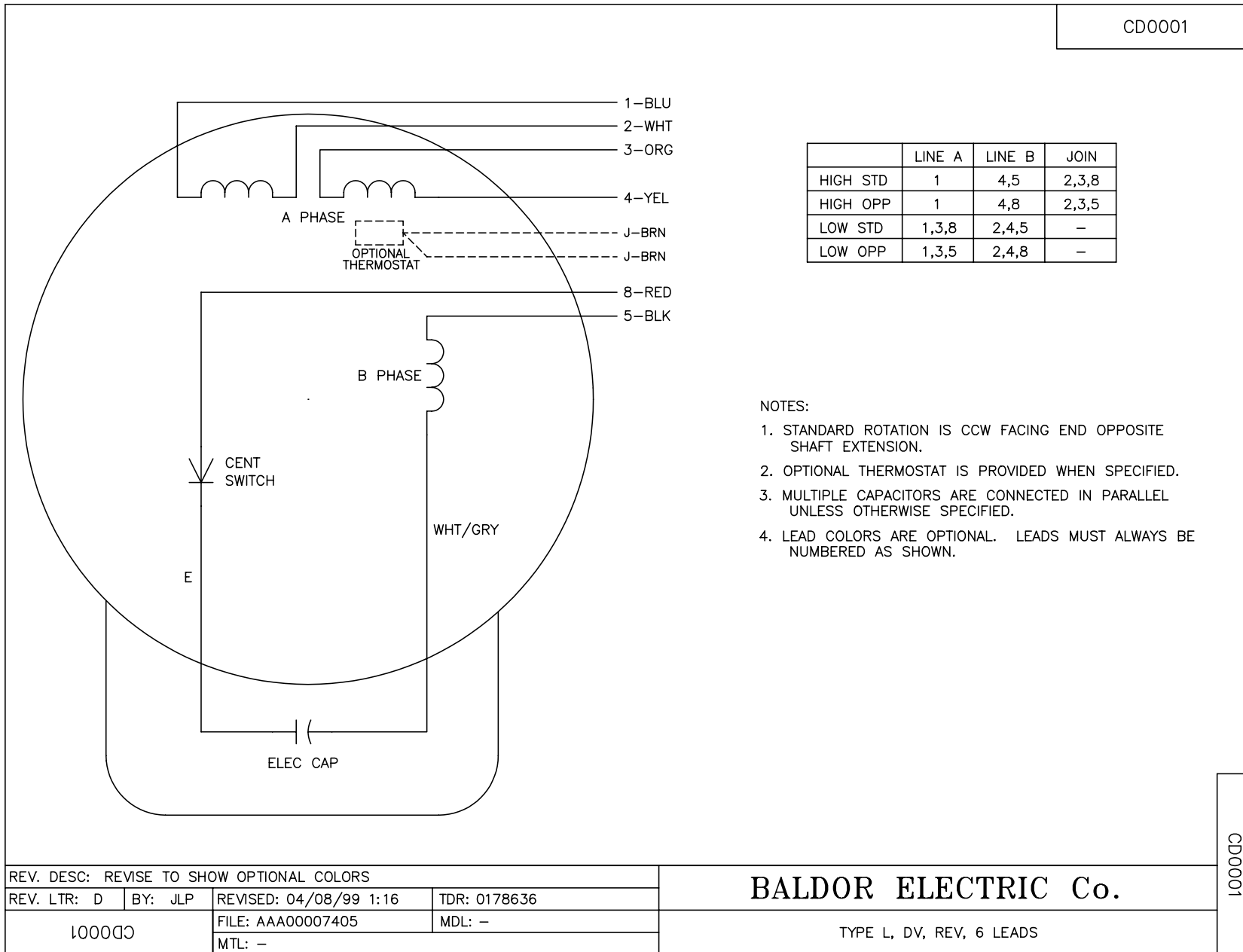
REV. DESC: FIX DIM TO MATCH CAM AND MRKTING FILES		
REV. LTR: G	VERSION: 02	TDR: 000000767588
FILE: \AAA\00000\485		REVISED: 01: 37: 21 10/02/2012
MTL: AAA00000485		BY: ENALEMO

BALDOR

STD HORZ MODEL 34L NEMA 56 TEFC

SH 1 of 1

CD0001



NOTES:

1. STANDARD ROTATION IS CCW FACING END OPPOSITE SHAFT EXTENSION.
2. OPTIONAL THERMOSTAT IS PROVIDED WHEN SPECIFIED.
3. MULTIPLE CAPACITORS ARE CONNECTED IN PARALLEL UNLESS OTHERWISE SPECIFIED.
4. LEAD COLORS ARE OPTIONAL. LEADS MUST ALWAYS BE NUMBERED AS SHOWN.

CD0001

REV. DESC: REVISE TO SHOW OPTIONAL COLORS			
REV. LTR: D	BY: JLP	REVISED: 04/08/99 1:16	TDR: 0178636
100000		FILE: AAA00007405	MDL: -
		MTL: -	

BALDOR ELECTRIC Co.

TYPE L, DV, REV, 6 LEADS