

BALDOR® • RELIANCE

Product Information Packet

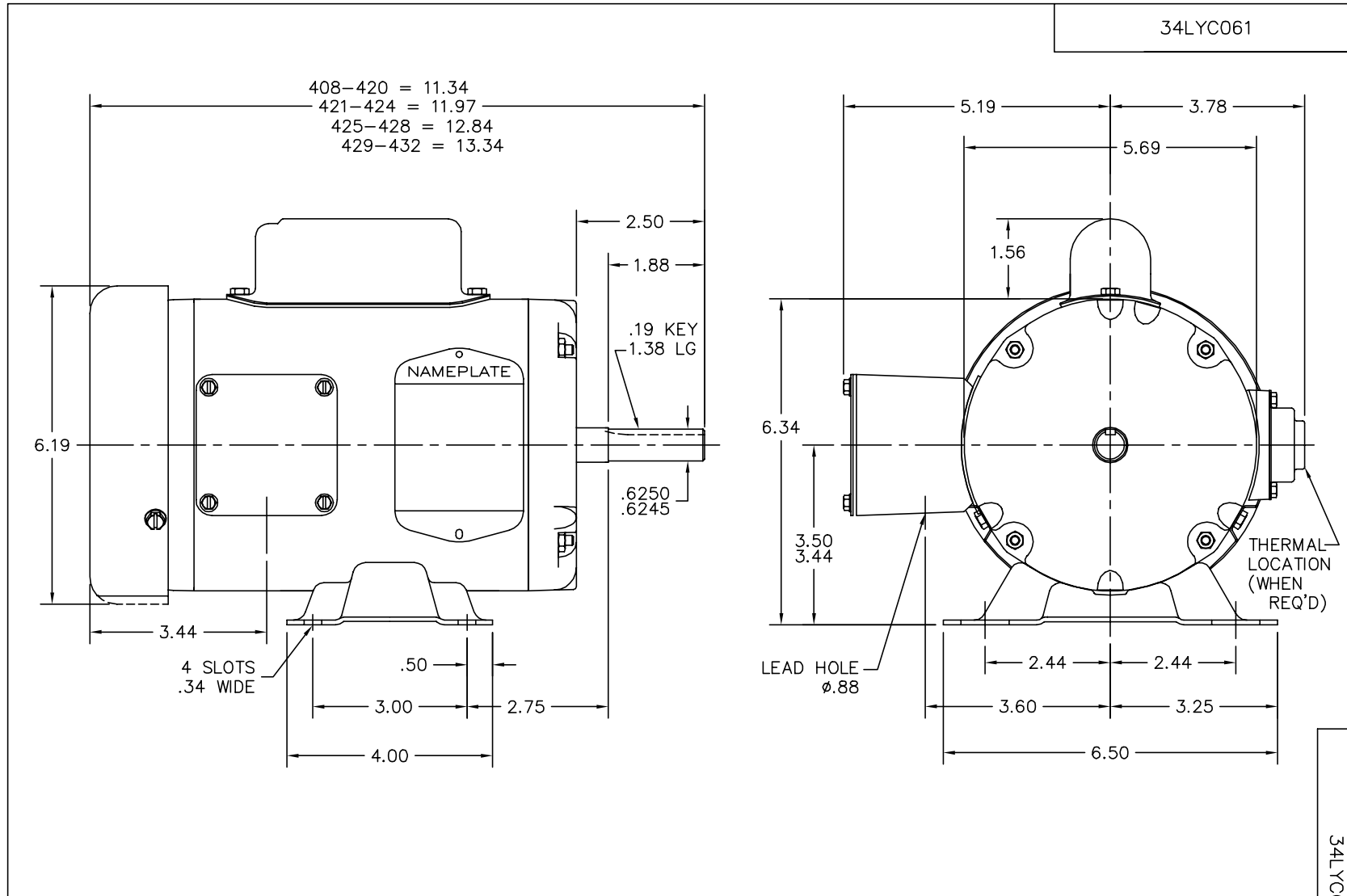
L3504A

.5HP, 1725RPM, 1PH, 60HZ, 56, 3421L, TEFC, F1

Part Detail							
Revision:	S	Status:	PRD/A	Change #:		Proprietary:	No
Type:	AC	Prod. Type:	3421L	Elec. Spec:	34WG5593	CD Diagram:	CD0008
Enclosure:	TEFC	Mfg Plant:		Mech. Spec:	34C061	Layout:	34LYC061
Frame:	56	Mounting:	F1	Poles:	04	Created Date:	
Base:	RG	Rotation:	R	Insulation:	B	Eff. Date:	09-04-2014
Leads:	6#18,1#16 #4TH					Replaced By:	
Literature:		Elec. Diagram:					

Nameplate NP1257L						
CAT.NO.	L3504A					
SPEC.	34C61-5593					
HP	.5					
VOLTS	115/230					
AMP	7.4/3.7					
RPM	1725					
FRAME	56	HZ	60	PH	1	
SER.F.	1.25	CODE	J	DES	N	CL B
NEMA-NOM-EFF	68	PF	66			
RATING	40C AMB-CONT					
CC		USABLE AT 208V	4.3			
DE	6203	ODE	6203			
ENCL	TEFC	SN				
	SFA 8.2/4.1					

No performance data has been
assigned to this product.



CUSTOMER IS RESPONSIBLE FOR DETERMINING THAT BALDOR'S PRODUCT WILL PERFORM SUITABLY IN THE INTENDED APPLICATION.

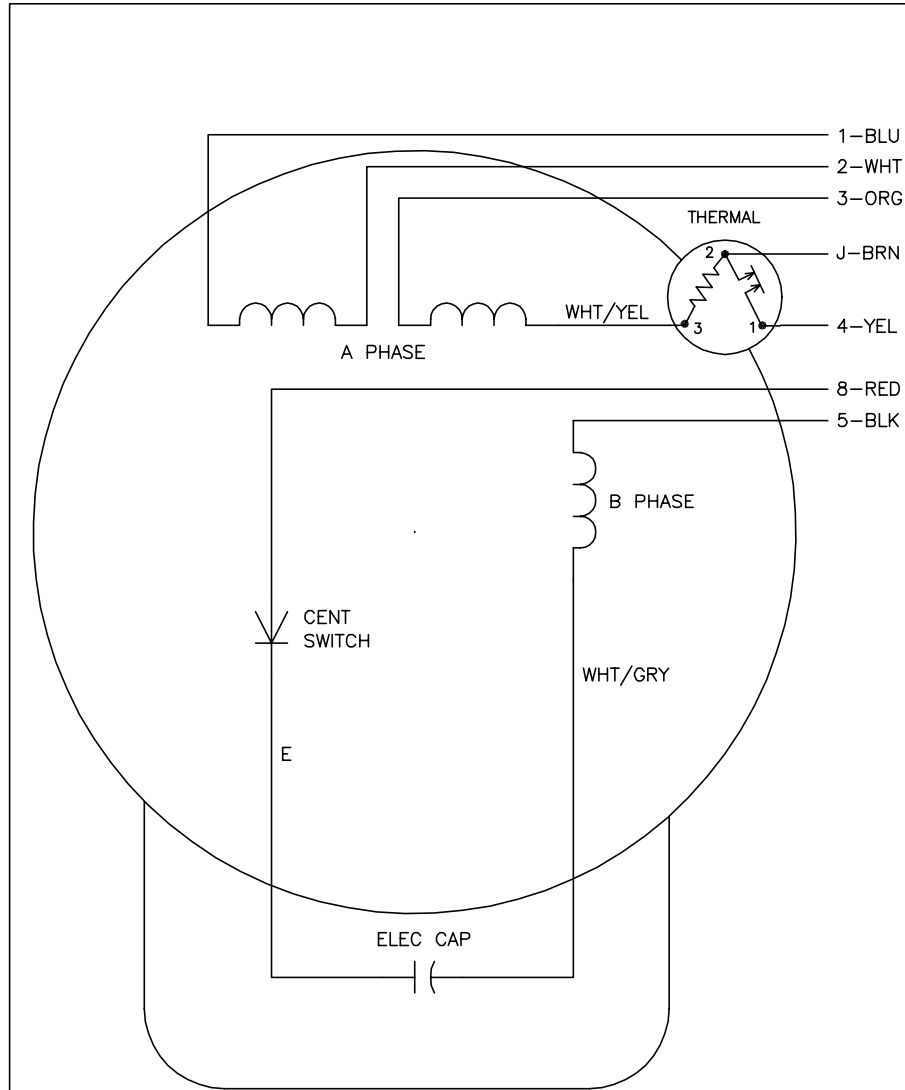
REV. DESC: FIX DIM TO MATCH CAM AND MRKTING FILES		
REV. LTR: G	VERSION: 02	TDR: 000000767588
FILE: \AAA\00000\485	REVISED: 01: 37: 21 10/02/2012	
MTL: AAA00000485	BY: ENALEMO	

BALDOR

STD HORZ MODEL 34L NEMA 56 TEFC

SH 1 of 1

CD0008



	LINE A	LINE B	JOIN	JOIN
HIGH STD	1	4	2,3,8	J,5
HIGH OPP	1	4	2,3,5	J,8
LOW STD	1,3,8	4	-	2,J,5
LOW OPP	1,3,5	4	-	2,J,8

NOTES:

1. STANDARD ROTATION IS CCW FACING END OPPOSITE SHAFT EXTENSION.
2. MULTIPLE CAPACITORS ARE CONNECTED IN PARALLEL UNLESS OTHERWISE SPECIFIED.
3. LEAD COLORS ARE OPTIONAL. LEADS MUST ALWAYS BE NUMBERED AS SHOWN.

REV. DESC: REMOVE 2-TERMINAL THERMAL DETAIL, SEE CD0008A02		
REV. LTR: F	VERSION: 01	TDR: 000000360649
80000	FILE: \AAA\00007\408	REVISED: 10:56:54 04/18/2005
	MTL: -	BY: ENJOEPO

BALDOR ELECTRIC Co.

TYPE L, DV, REV, THERMAL, 7 LEADS

CD0008