

# **BALDOR® • RELIANCE**

## **Product Information Packet**

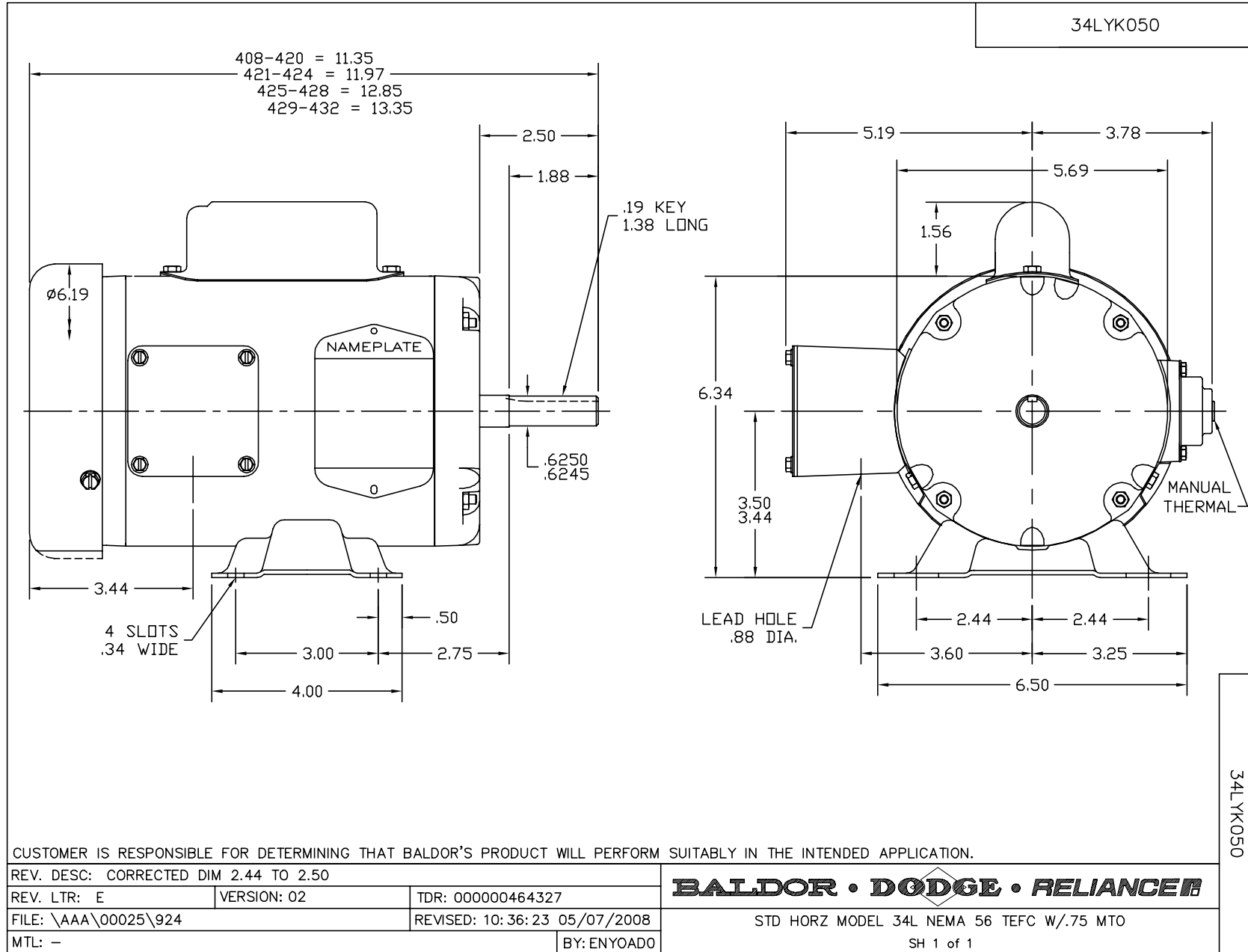
### **L3504M**

**.5HP, 1725RPM, 1PH, 60HZ, 56, 3421L, TEFC, F1**

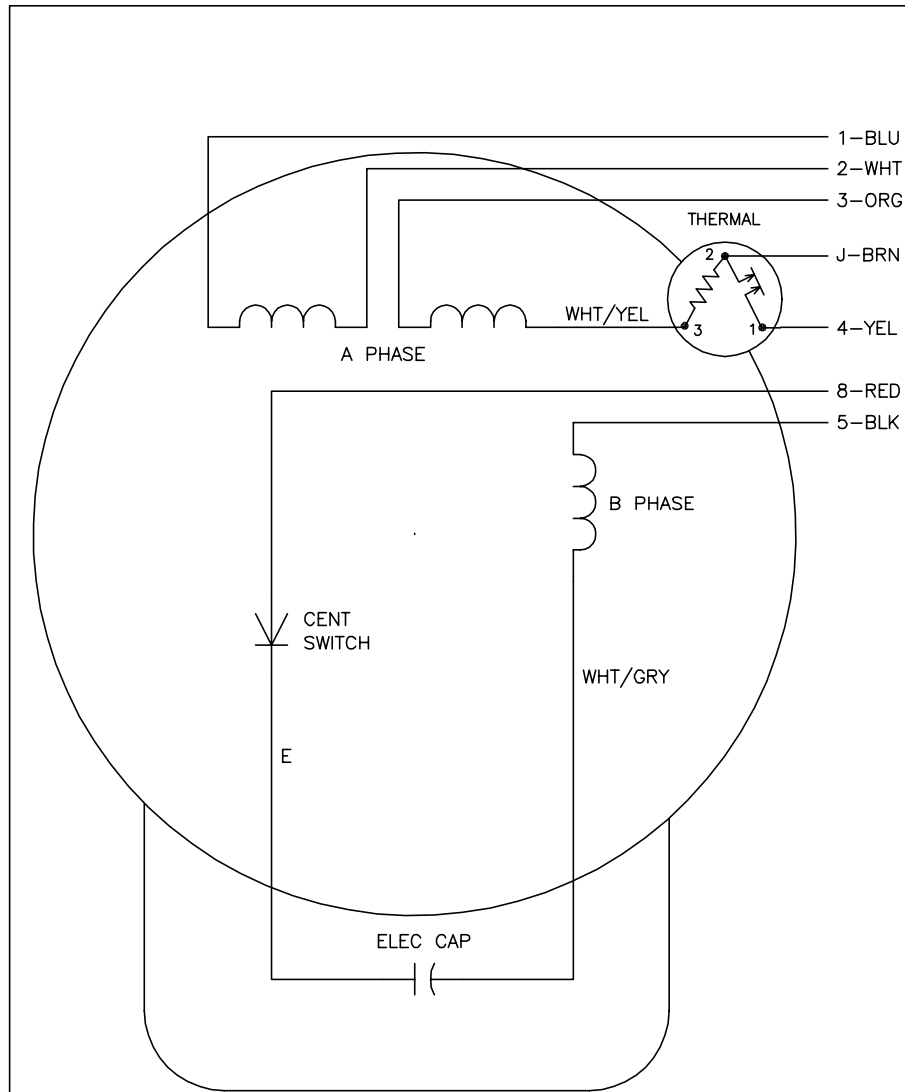
Part Detail							
Revision:	W	Status:	PRD/A	Change #:		Proprietary:	No
Type:	AC	Prod. Type:	3421L	Elec. Spec:	34WG5594	CD Diagram:	CD0008
Enclosure:	TEFC	Mfg Plant:		Mech. Spec:	34K050	Layout:	34LYK050
Frame:	56	Mounting:	F1	Poles:	04	Created Date:	
Base:	RG	Rotation:	R	Insulation:	B	Eff. Date:	10-07-2011
Leads:	6#18,1#16 #4TH					Replaced By:	
Literature:		Elec. Diagram:					

Nameplate NP1257L						
CAT.NO.	L3504M					
SPEC.	34K50-5594					
HP	.5					
VOLTS	115/230					
AMP	7.4/3.7					
RPM	1725					
FRAME	56	HZ	60	PH	1	
SER.F.	1.25	CODE	J	DES	N	CL B
NEMA-NOM-EFF	68	PF	66			
RATING	40C AMB-CONT					
CC		USABLE AT 208V	4.3			
DE	6203	ODE	6203			
ENCL	TEFC	SN				
	SFA 8.2/4.1					

No performance data has been  
assigned to this product.



CD0008



	LINE A	LINE B	JOIN	JOIN
HIGH STD	1	4	2,3,8	J,5
HIGH OPP	1	4	2,3,5	J,8
LOW STD	1,3,8	4	-	2,J,5
LOW OPP	1,3,5	4	-	2,J,8

NOTES:

1. STANDARD ROTATION IS CCW FACING END OPPOSITE SHAFT EXTENSION.
2. MULTIPLE CAPACITORS ARE CONNECTED IN PARALLEL UNLESS OTHERWISE SPECIFIED.
3. LEAD COLORS ARE OPTIONAL. LEADS MUST ALWAYS BE NUMBERED AS SHOWN.

REV. DESC: REMOVE 2-TERMINAL THERMAL DETAIL, SEE CD0008A02		
REV. LTR: F	VERSION: 01	TDR: 000000360649
800000	FILE: \AAA\00007\408	REVISED: 10:56:54 04/18/2005
	MTL: -	BY: ENJOEPO

**BALDOR ELECTRIC Co.**

TYPE L, DV, REV, THERMAL, 7 LEADS

CD0008