

BALDOR® • **RELIANCE**

Product Information Packet

L3505

.5HP, 1140RPM, 1PH, 60HZ, 56H, 3528L, TEFC, F1

Part Detail							
Revision:	D	Status:	PRD/A	Change #:		Proprietary:	No
Type:	AC	Prod. Type:	3528L	Elec. Spec:	35WGN457	CD Diagram:	CD0001
Enclosure:	TEFC	Mfg Plant:		Mech. Spec:	35J383	Layout:	35LYJ383
Frame:	56H	Mounting:	F1	Poles:	06	Created Date:	03-29-2012
Base:	RG	Rotation:	R	Insulation:	F	Eff. Date:	09-18-2014
Leads:	6#18					Replaced By:	
Literature:		Elec. Diagram:					

Nameplate NP1256L							
CAT.NO.	L3505						
SPEC.	35J383N457G1						
HP	.5						
VOLTS	115/230						
AMP	7.8/3.9						
RPM	1140						
FRAME	56H	HZ	60	PH	1		
SER.F.	1.25	CODE	L	DES	N	CLASS	F
NEMA-NOM-EFF	62.5	PF	65				
RATING	40C AMB-CONT						
CC		USABLE AT 208V	4.5				
DE	6205	ODE	6203				
ENCL	TEFC	SN					
	SFA 9/4.5						

AC Induction Motor Performance Data

Record # 38799 - Typical performance - not guaranteed values

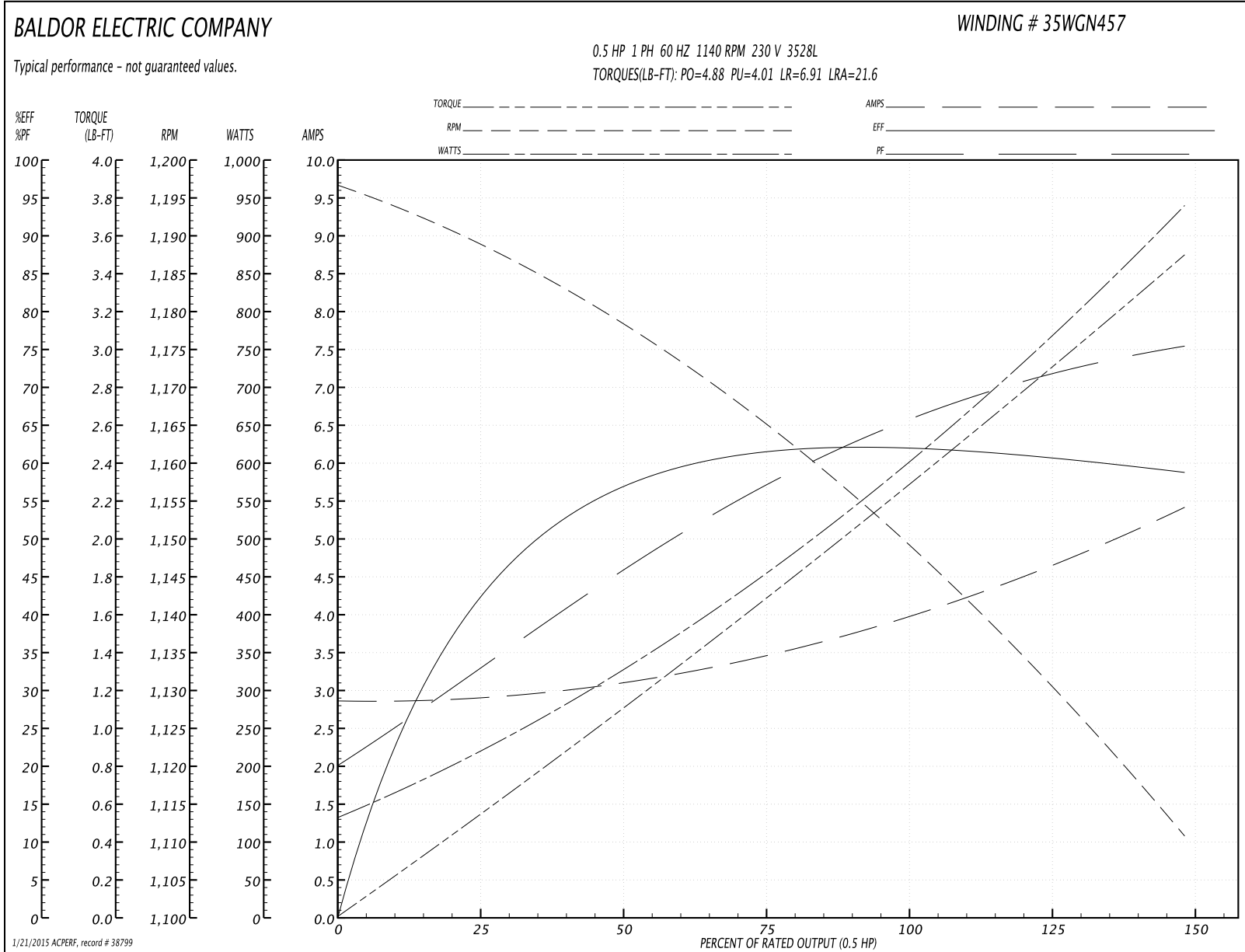
Winding: 35WGN457-R001	Type: 3528L	Enclosure: TEFC
-------------------------------	--------------------	------------------------

Nameplate Data				230 V, 60 Hz: High Voltage Connection	
Rated Output (HP)	.5			Full Load Torque	2.24 LB-FT
Volts	115/230			Start Configuration	direct on line
Full Load Amps	7.8/3.9			Breakdown Torque	4.88 LB-FT
R.P.M.	1140			Pull-up Torque	4.01 LB-FT
Hz	60	Phase	1	Locked-rotor Torque	6.91 LB-FT
NEMA Design Code	N	KVA Code	L	Starting Current	21.6 A
Service Factor (S.F.)	1.25			No-load Current	2.84 A
NEMA Nom. Eff.	62.5	Power Factor	65	Line-line Res. @ 25°C	4.9379 Ω A Ph 2.7993 Ω B Ph
Rating - Duty	40C AMB-CONT			Temp. Rise @ Rated Load	65°C
S.F. Amps	9/4.5			Temp. Rise @ S.F. Load	91°C

Load Characteristics 230 V, 60 Hz, 0.5 HP

% of Rated Load	25	50	75	100	125	150	S.F.
Power Factor	33	46	57	65	72	76	72
Efficiency	39.6	54.5	61.1	62.7	61.8	58.1	61.8
Speed	1187.5	1177.3	1165.8	1152.4	1135	1108.2	1135
Line amperes	2.9	3.12	3.44	3.91	4.54	5.46	4.54

Performance Graph at 230V, 60Hz, 0.5HP Typical performance - Not guaranteed values



AC Induction Motor Performance Data

Record # 44451 - Typical performance - not guaranteed values

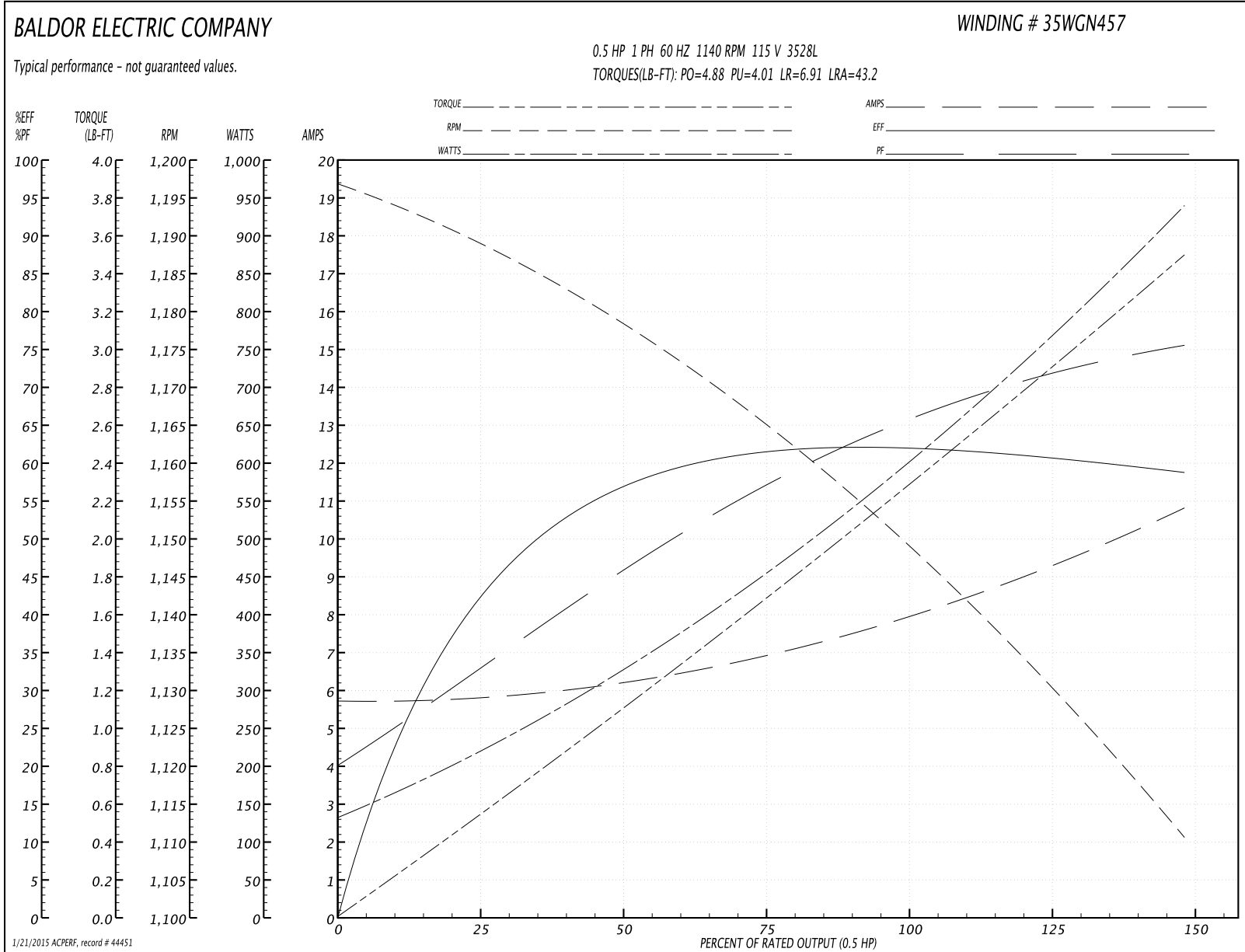
Winding: 35WGN457-R001	Type: 3528L	Enclosure: TEFC
-------------------------------	--------------------	------------------------

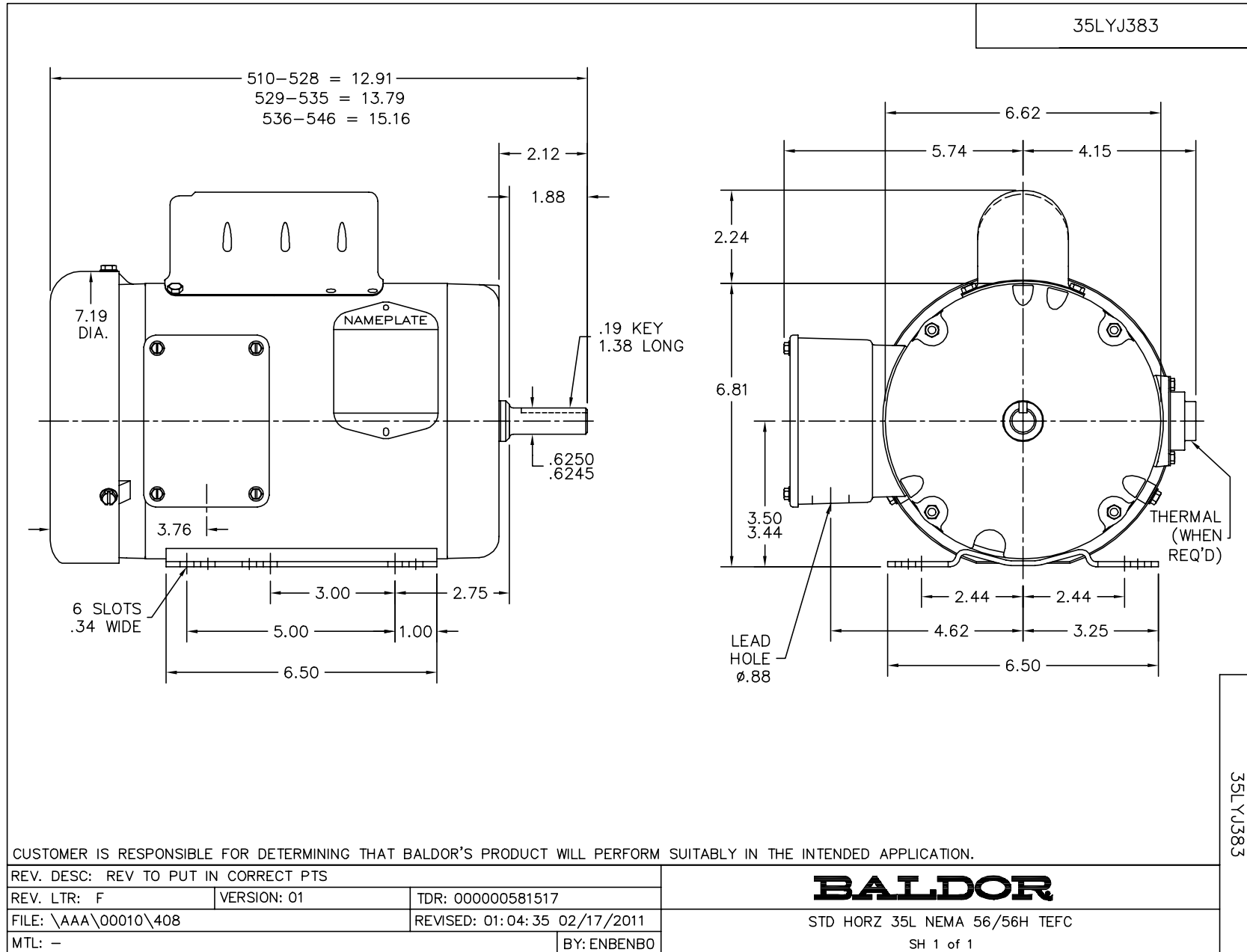
Nameplate Data				115 V, 60 Hz: Low Voltage Connection	
Rated Output (HP)	.5			Full Load Torque	2.24 LB-FT
Volts	115/230			Start Configuration	direct on line
Full Load Amps	7.8/3.9			Breakdown Torque	4.88 LB-FT
R.P.M.	1140			Pull-up Torque	4.01 LB-FT
Hz	60	Phase	1	Locked-rotor Torque	6.91 LB-FT
NEMA Design Code	N	KVA Code	L	Starting Current	43.2 A
Service Factor (S.F.)	1.25			No-load Current	5.68 A
NEMA Nom. Eff.	62.5	Power Factor	65	Line-line Res. @ 25°C	1.23 Ω A Ph 2.86 Ω B Ph
Rating - Duty	40C AMB-CONT			Temp. Rise @ Rated Load	65°C
S.F. Amps	9/4.5			Temp. Rise @ S.F. Load	79°C
				Rotor inertia	0.166 LF ²

Load Characteristics 115 V, 60 Hz, 0.5 HP

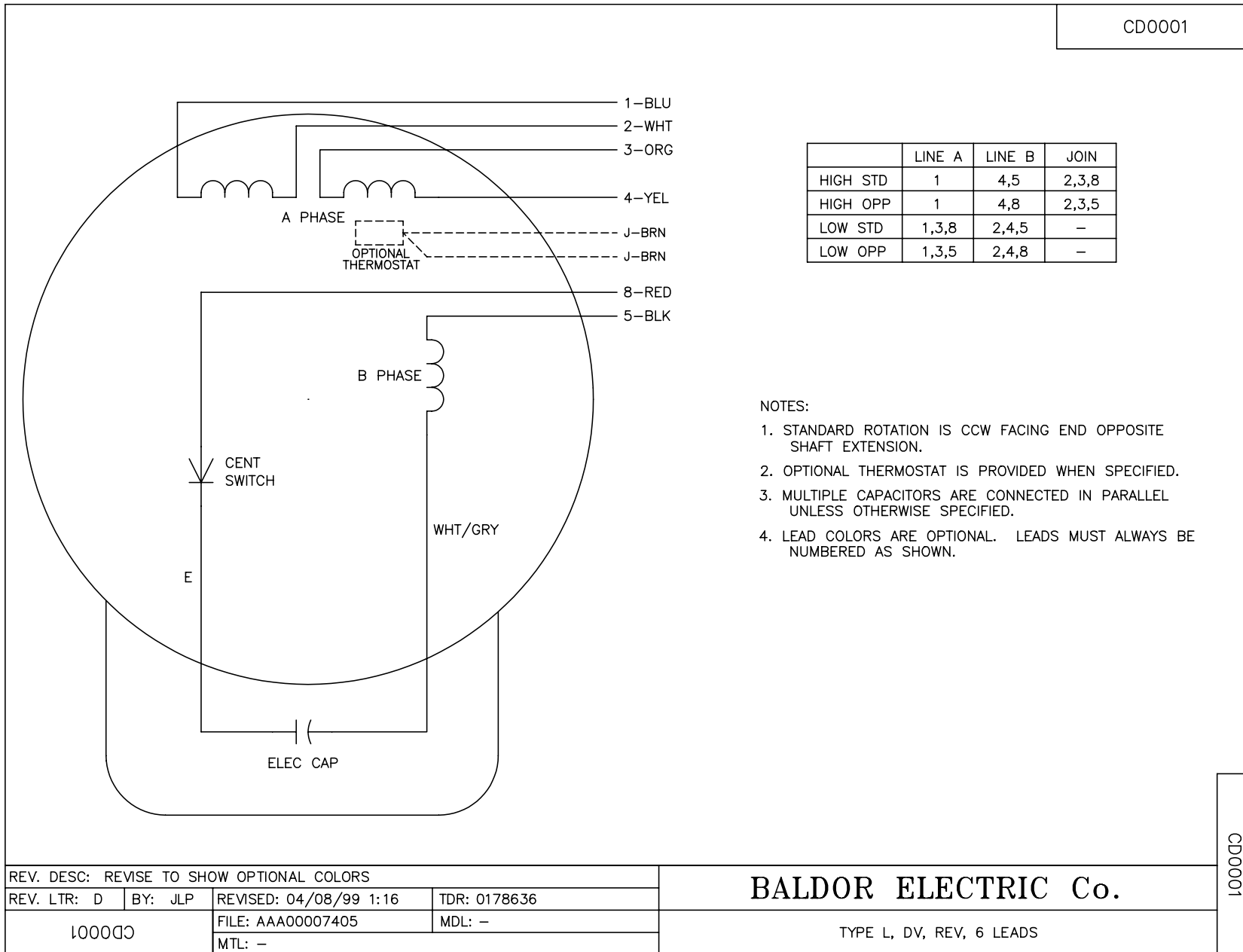
% of Rated Load	25	50	75	100	125	150	S.F.
Power Factor	32	46	56	65	71	76	80
Efficiency	39.7	54.6	60.9	62.8	61.9	58.2	82.4
Speed	1188	1177	1166	1152	1135	1108	1442
Line amperes	5.8	6.24	6.88	7.82	9.08	10.9	2.95

Performance Graph at 115V, 60Hz, 0.5HP Typical performance - Not guaranteed values





CD0001



REV. DESC: REVISE TO SHOW OPTIONAL COLORS			
REV. LTR: D	BY: JLP	REVISED: 04/08/99 1:16	TDR: 0178636
100000		FILE: AAA00007405	MDL: -
		MTL: -	

BALDOR ELECTRIC Co.

TYPE L, DV, REV, 6 LEADS

CD0001