

BALDOR® • **RELIANCE**

Product Information Packet

L3510T

1HP,1725RPM,1PH,60HZ,143T,3524L,TEFC,F1

Part Detail							
Revision:	F	Status:	PRD/A	Change #:		Proprietary:	No
Type:	AC	Prod. Type:	3524L	Elec. Spec:	35WGX945	CD Diagram:	CD0001
Enclosure:	TEFC	Mfg Plant:		Mech. Spec:	35CC001	Layout:	35LYCC001
Frame:	143T	Mounting:	F1	Poles:	04	Created Date:	12-21-2009
Base:	RG	Rotation:	R	Insulation:	F	Eff. Date:	09-10-2013
Leads:	6#18					Replaced By:	
Literature:		Elec. Diagram:					

Nameplate NP1256L									
CAT.NO.	L3510T								
SPEC.	35CC001X945								
HP	1								
VOLTS	115/230								
AMP	12.8/6.4								
RPM	1725								
FRAME	143T	HZ	60	PH	1				
SER.F.	1.15	CODE	K	DES	L	CLASS	F		
NEMA-NOM-EFF	68	PF	74						
RATING	40C AMB-CONT								
CC	USABLE AT 208V		7						
DE	6205	ODE	6203						
ENCL	TEFC	SN							

AC Induction Motor Performance Data

Record # 33217 - Typical performance - not guaranteed values

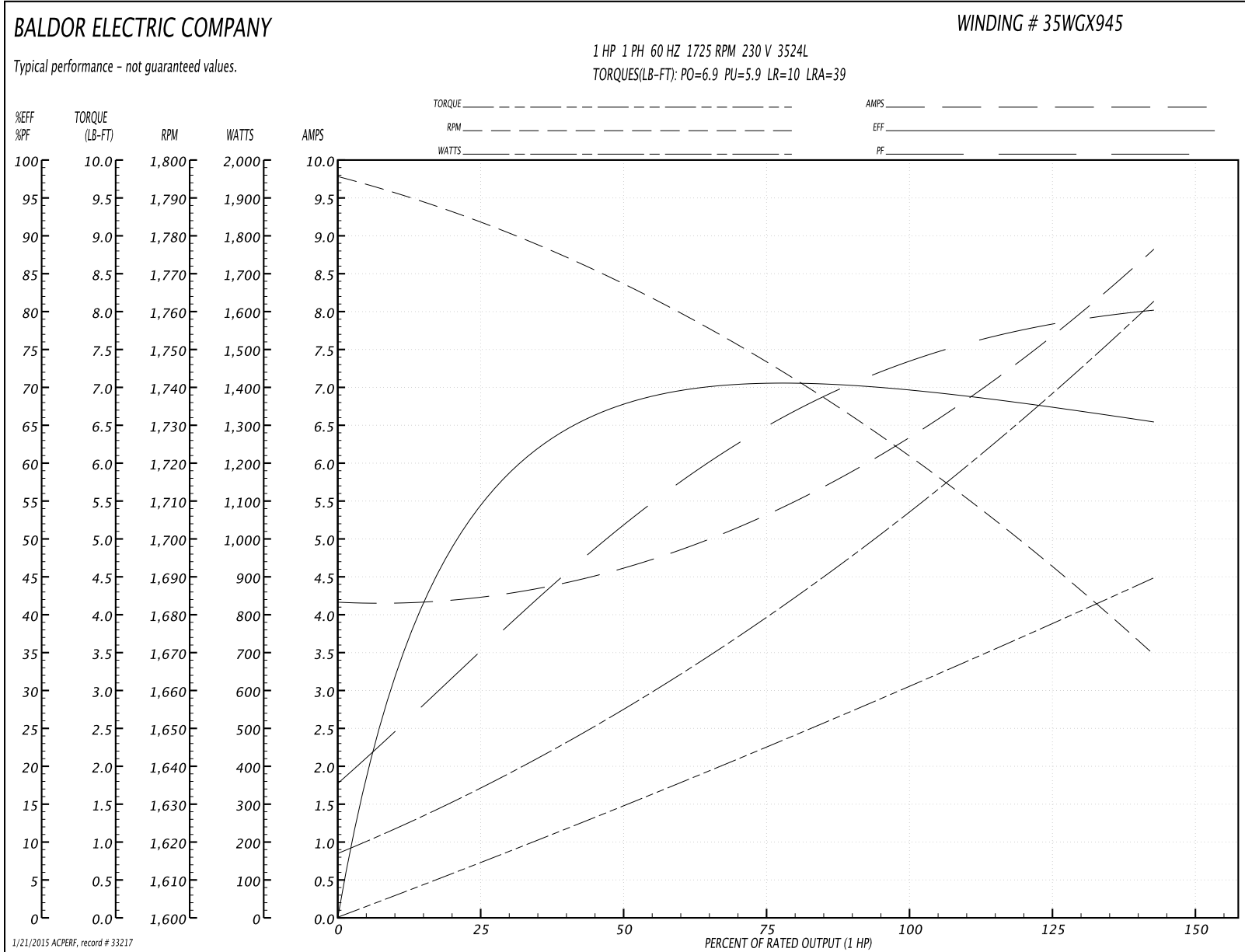
Winding: 35WGX945-R003	Type: 3524L	Enclosure: TEFC
-------------------------------	--------------------	------------------------

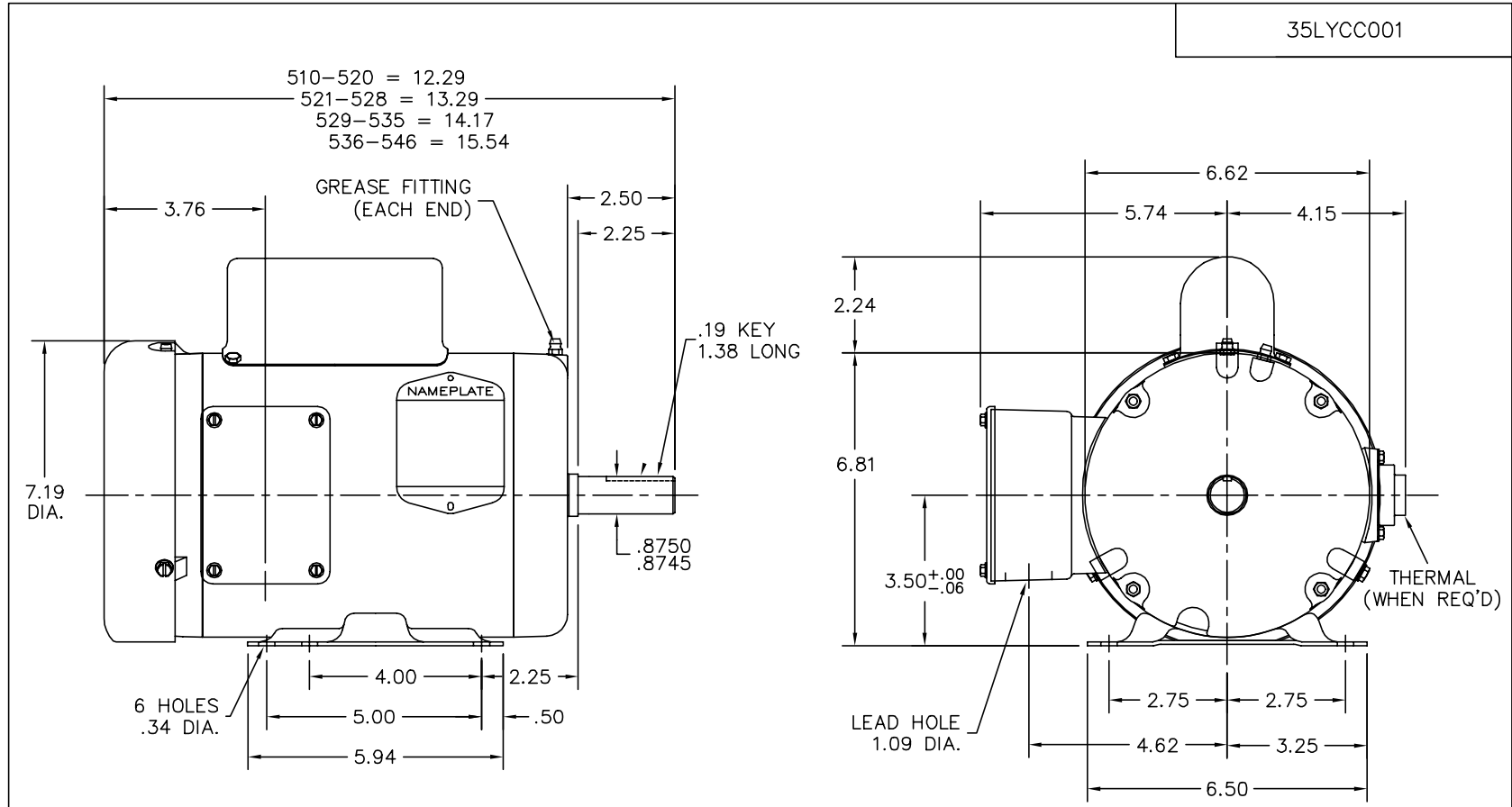
Nameplate Data				230 V, 60 Hz: High Voltage Connection	
Rated Output (HP)	1			Full Load Torque	3 LB-FT
Volts	115/230			Start Configuration	direct on line
Full Load Amps	12.8/6.4			Breakdown Torque	6.9 LB-FT
R.P.M.	1725			Pull-up Torque	5.9 LB-FT
Hz	60	Phase	1	Locked-rotor Torque	10 LB-FT
NEMA Design Code	L	KVA Code	K	Starting Current	39 A
Service Factor (S.F.)	1.15			No-load Current	4.1 A
NEMA Nom. Eff.	68	Power Factor	74	Line-line Res. @ 25°C	2.6 Ω A Ph 1.8 Ω B Ph
Rating - Duty	40C AMB-CONT			Temp. Rise @ Rated Load	79°C
S.F. Amps				Temp. Rise @ S.F. Load	96°C

Load Characteristics 230 V, 60 Hz, 1 HP

% of Rated Load	25	50	75	100	125	150	S.F.
Power Factor	39	53	67	75	81	84	79
Efficiency	52.9	67.6	70	70.3	68.6	64.9	69.3
Speed	1781	1765	1746	1726	1701	1666	1711
Line amperes	4.3	4.7	5.3	6.2	7.4	8.9	6.9

Performance Graph at 230V, 60Hz, 1.0HP Typical performance - Not guaranteed values





CUSTOMER IS RESPONSIBLE FOR DETERMINING THAT BALDOR'S PRODUCT WILL PERFORM SUITABLY IN THE INTENDED APPLICATION.

REV. DESC: NEW		
REV. LTR: -	VERSION: 00	TDR: 000000520880
FILE: \AAA\00168\406	REVISED: 01:55:27 12/21/2009	
MTL: -	BY: ENALEMO	

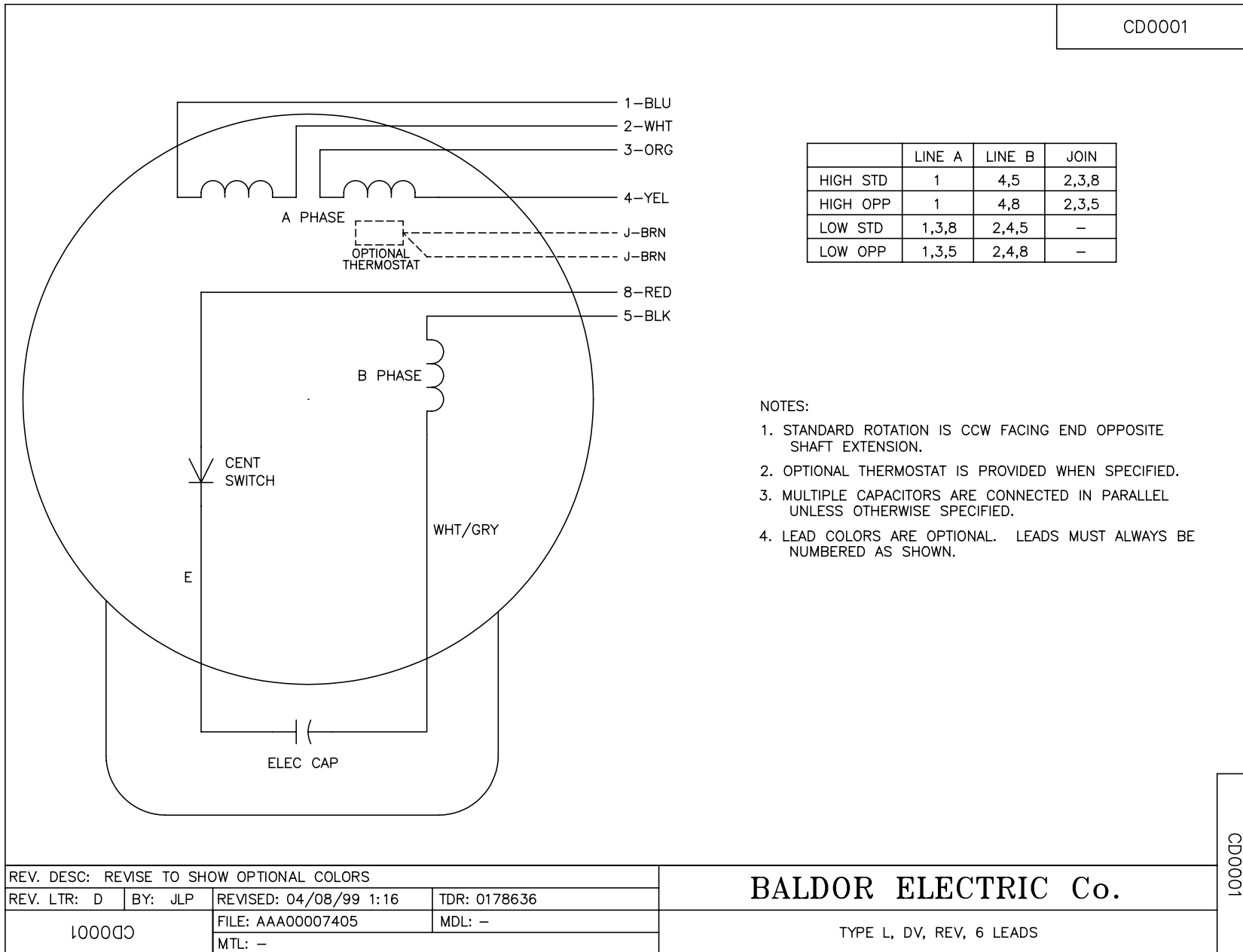
BALDOR • DODGE • RELIANCE

STD HORZ 143-5T TEFC 35L W/1.09 DIA. LEAD HOLE

SH 1 of 1

35LYCC001

CD0001



REV. DESC: REVISE TO SHOW OPTIONAL COLORS			
REV. LTR: D	BY: JLP	REVISED: 04/08/99 1:16	TDR: 0178636
100000		FILE: AAA00007405	MDL: -
		MTL: -	

BALDOR ELECTRIC Co.

TYPE L, DV, REV, 6 LEADS

CD0001