

BALDOR® • **RELIANCE**

Product Information Packet

L3510TM

1HP, 1725RPM, 1PH, 60HZ, 143T, 3524L, TEFC, F1

Part Detail							
Revision:	E	Status:	PRD/A	Change #:		Proprietary:	No
Type:	AC	Prod. Type:	3524L	Elec. Spec:	35WGY191	CD Diagram:	CD0269
Enclosure:	TEFC	Mfg Plant:		Mech. Spec:	35KK190	Layout:	35LYKK190
Frame:	143T	Mounting:	F1	Poles:	04	Created Date:	12-22-2009
Base:	RG	Rotation:	R	Insulation:	B	Eff. Date:	12-18-2012
Leads:	4#16 A&J,2#18 B PH,1#14 #4TH					Replaced By:	
Literature:		Elec. Diagram:					

Nameplate NP1257L						
CAT.NO.	L3510TM					
SPEC.	35KK190Y191					
HP	1					
VOLTS	115/230					
AMP	13/6.5					
RPM	1725					
FRAME	143T	HZ	60	PH	1	
SER.F.	1.15	CODE	K	DES	L	CL B
NEMA-NOM-EFF	67	PF	73			
RATING	40C AMB-CONT					
CC		USABLE AT 208V	6.8			
DE	6205	ODE	6203			
ENCL	TEFC	SN				

AC Induction Motor Performance Data

Record # 10162 - Typical performance - not guaranteed values

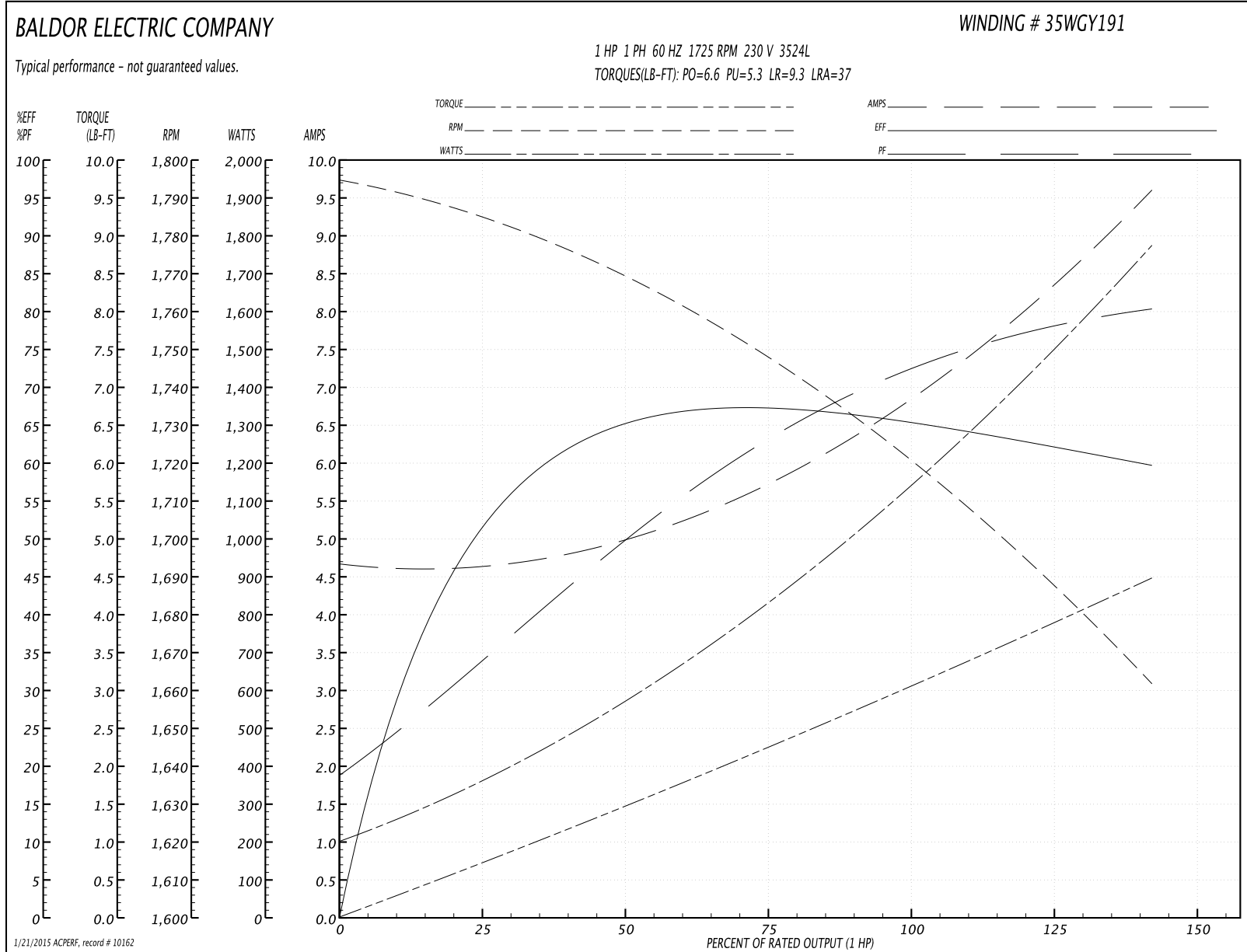
Winding: 35WGY191-R001	Type: 3524L	Enclosure: TEFC
-------------------------------	--------------------	------------------------

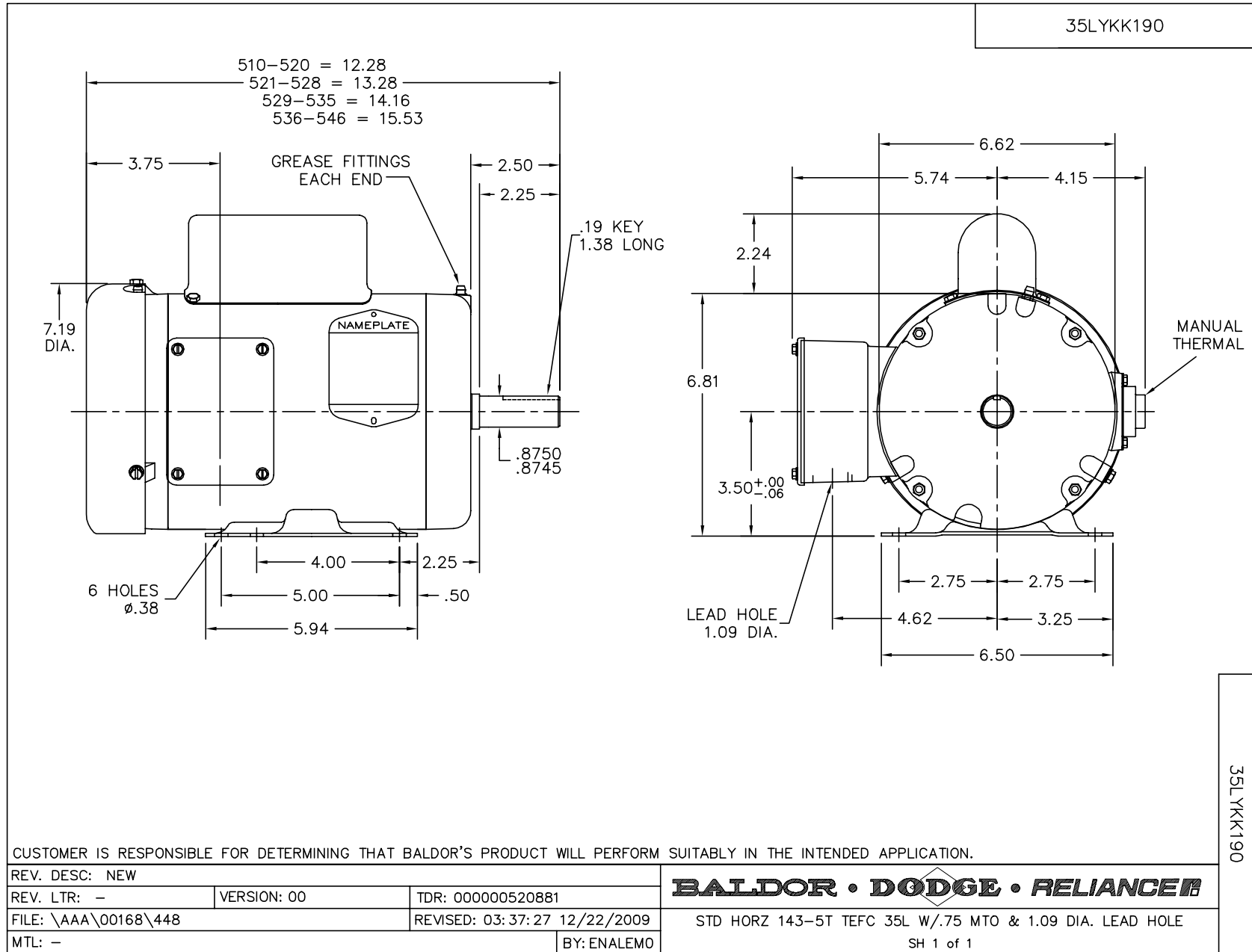
Nameplate Data				230 V, 60 Hz: High Voltage Connection	
Rated Output (HP)	1			Full Load Torque	3 LB-FT
Volts	115/230			Start Configuration	direct on line
Full Load Amps	13/6.5			Breakdown Torque	6.6 LB-FT
R.P.M.	1725			Pull-up Torque	5.3 LB-FT
Hz	60	Phase	1	Locked-rotor Torque	9.3 LB-FT
NEMA Design Code	L	KVA Code	K	Starting Current	37 A
Service Factor (S.F.)	1.15			No-load Current	4.6 A
NEMA Nom. Eff.	67	Power Factor	73	Line-line Res. @ 25°C	2.76 Ω A Ph 1.86 Ω B Ph
Rating - Duty	40C AMB-CONT			Temp. Rise @ Rated Load	76°C
S.F. Amps				Temp. Rise @ S.F. Load	92°C

Load Characteristics 230 V, 60 Hz, 1 HP

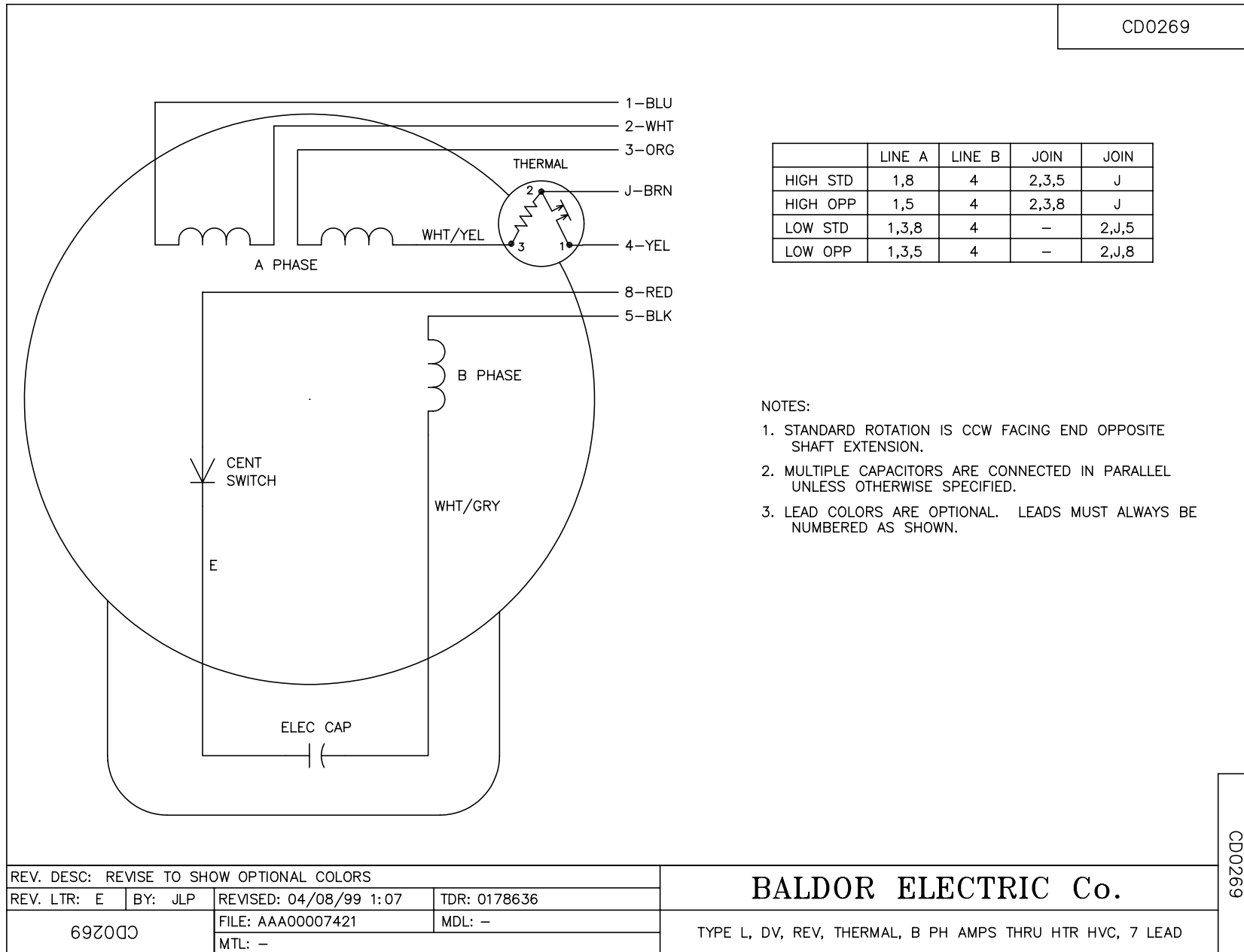
% of Rated Load	25	50	75	100	125	150	S.F.
Power Factor	37	53	65	73	78	82	76
Efficiency	51.1	63	66.8	66.6	63.9	58.9	65
Speed	1781	1766	1749	1725	1697	1658	1708
Line amperes	4.7	5.1	5.7	6.7	8	9.7	7.5

Performance Graph at 230V, 60Hz, 1.0HP Typical performance - Not guaranteed values





CD0269



NOTES:

1. STANDARD ROTATION IS CCW FACING END OPPOSITE SHAFT EXTENSION.
2. MULTIPLE CAPACITORS ARE CONNECTED IN PARALLEL UNLESS OTHERWISE SPECIFIED.
3. LEAD COLORS ARE OPTIONAL. LEADS MUST ALWAYS BE NUMBERED AS SHOWN.

REV. DESC: REVISE TO SHOW OPTIONAL COLORS			
REV. LTR: E	BY: JLP	REVISED: 04/08/99 1:07	TDR: 0178636
692000		FILE: AAA00007421	MDL: -
		MTL: -	

BALDOR ELECTRIC Co.

TYPE L, DV, REV, THERMAL, B PH AMPS THRU HTR HVC, 7 LEAD

CD0269