

BALDOR® • *RELIANCE*

Product Information Packet

L3515

2HP,3450RPM,1PH,60HZ,56/56H,3535L,TEFC

Part Detail							
Revision:	AP	Status:	PRD/A	Change #:		Proprietary:	No
Type:	AC	Prod. Type:	3535L	Elec. Spec:	35WG0506	CD Diagram:	CD0001
Enclosure:	TEFC	Mfg Plant:		Mech. Spec:	35J383	Layout:	35LYJ383
Frame:	56/56H	Mounting:	F1	Poles:	02	Created Date:	06-22-2007
Base:	RG	Rotation:	R	Insulation:	F	Eff. Date:	09-18-2014
Leads:	4#14 A PH,2#18 B PH					Replaced By:	
Literature:		Elec. Diagram:					

Nameplate NP1256L									
CAT.NO.	L3515								
SPEC.	35J383-506								
HP	2								
VOLTS	115/230								
AMP	23/11.5								
RPM	3450								
FRAME	56/56H	HZ	60	PH	1				
SER.F.	1.15	CODE	K	DES	L	CLASS	F		
NEMA-NOM-EFF	74	PF	82						
RATING	40C AMB-CONT								
CC	USABLE AT 208V		12						
DE	6205	ODE	6203						
ENCL	TEFC	SN							

AC Induction Motor Performance Data

Record # 20312 - Typical performance - not guaranteed values

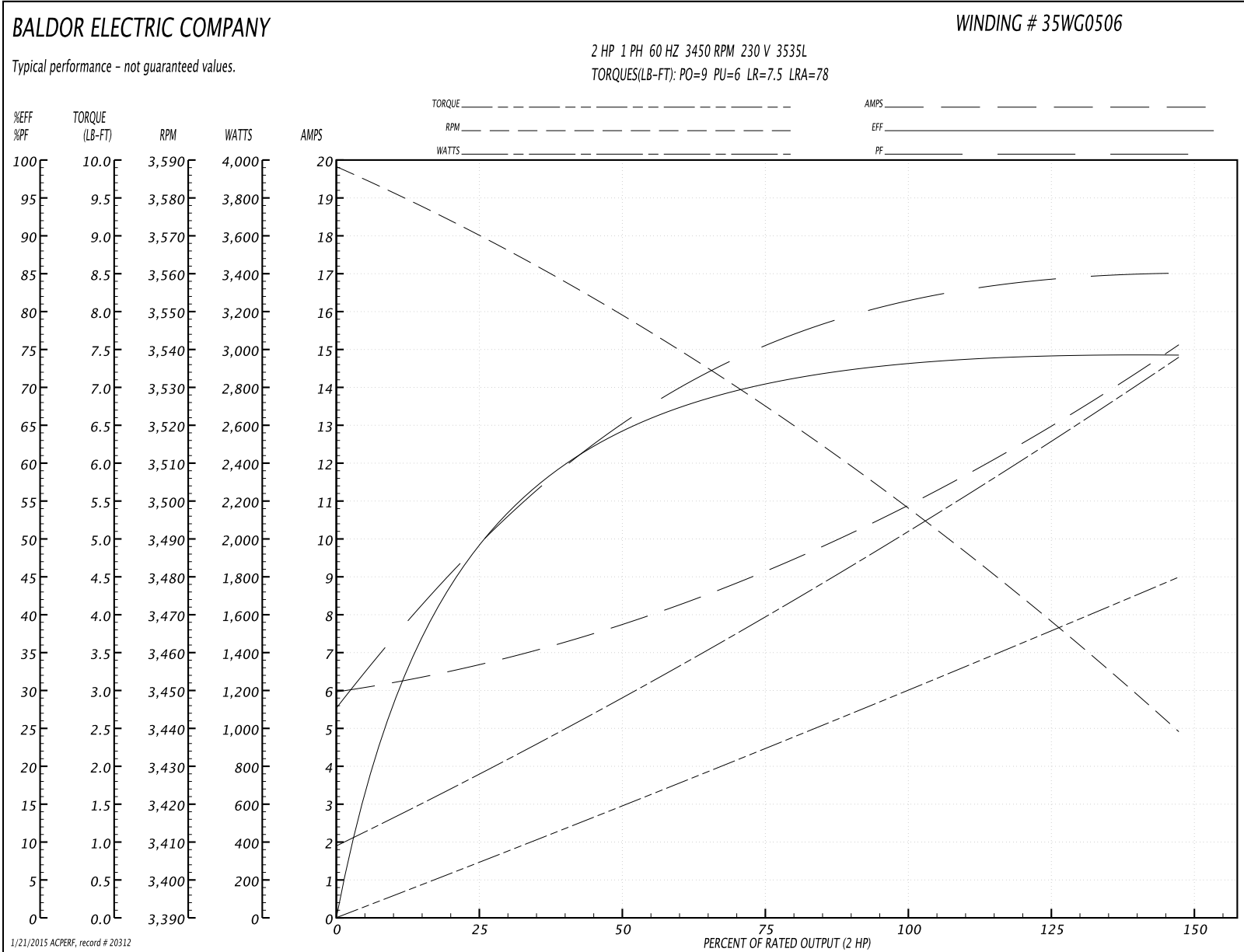
Winding: 35WG0506-R001	Type: 3535L	Enclosure: TEFC
-------------------------------	--------------------	------------------------

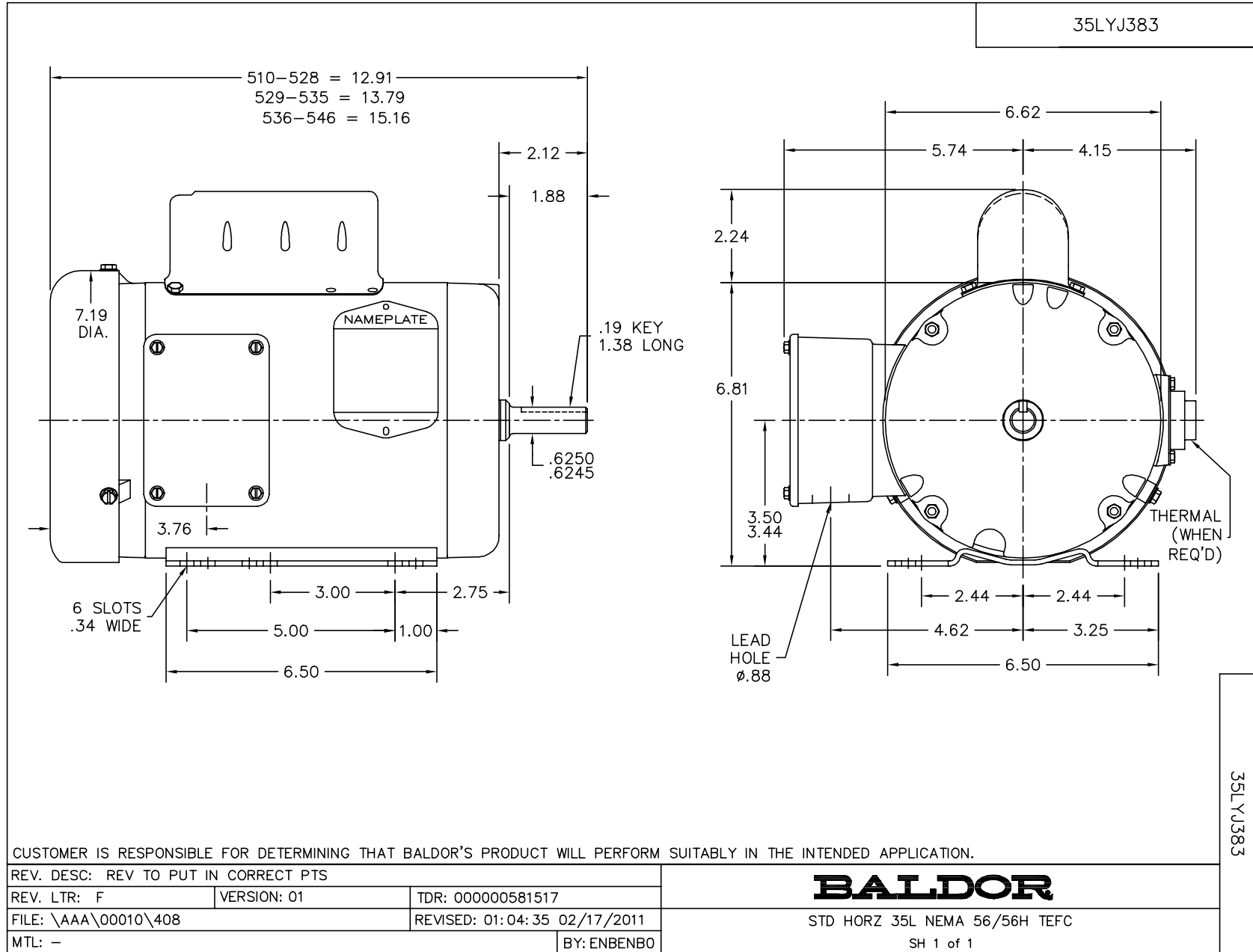
Nameplate Data				230 V, 60 Hz: High Voltage Connection	
Rated Output (HP)	2			Full Load Torque	3 LB-FT
Volts	115/230			Start Configuration	direct on line
Full Load Amps	23/11.5			Breakdown Torque	9 LB-FT
R.P.M.	3450			Pull-up Torque	6 LB-FT
Hz	60	Phase	1	Locked-rotor Torque	7.5 LB-FT
NEMA Design Code	L	KVA Code	K	Starting Current	78 A
Service Factor (S.F.)	1.15			No-load Current	6 A
NEMA Nom. Eff.	74	Power Factor	82	Line-line Res. @ 25°C	0.864 Ω A Ph 1.26 Ω B Ph
Rating - Duty	40C AMB-CONT			Temp. Rise @ Rated Load	82°C
S.F. Amps				Temp. Rise @ S.F. Load	91°C

Load Characteristics 230 V, 60 Hz, 2 HP

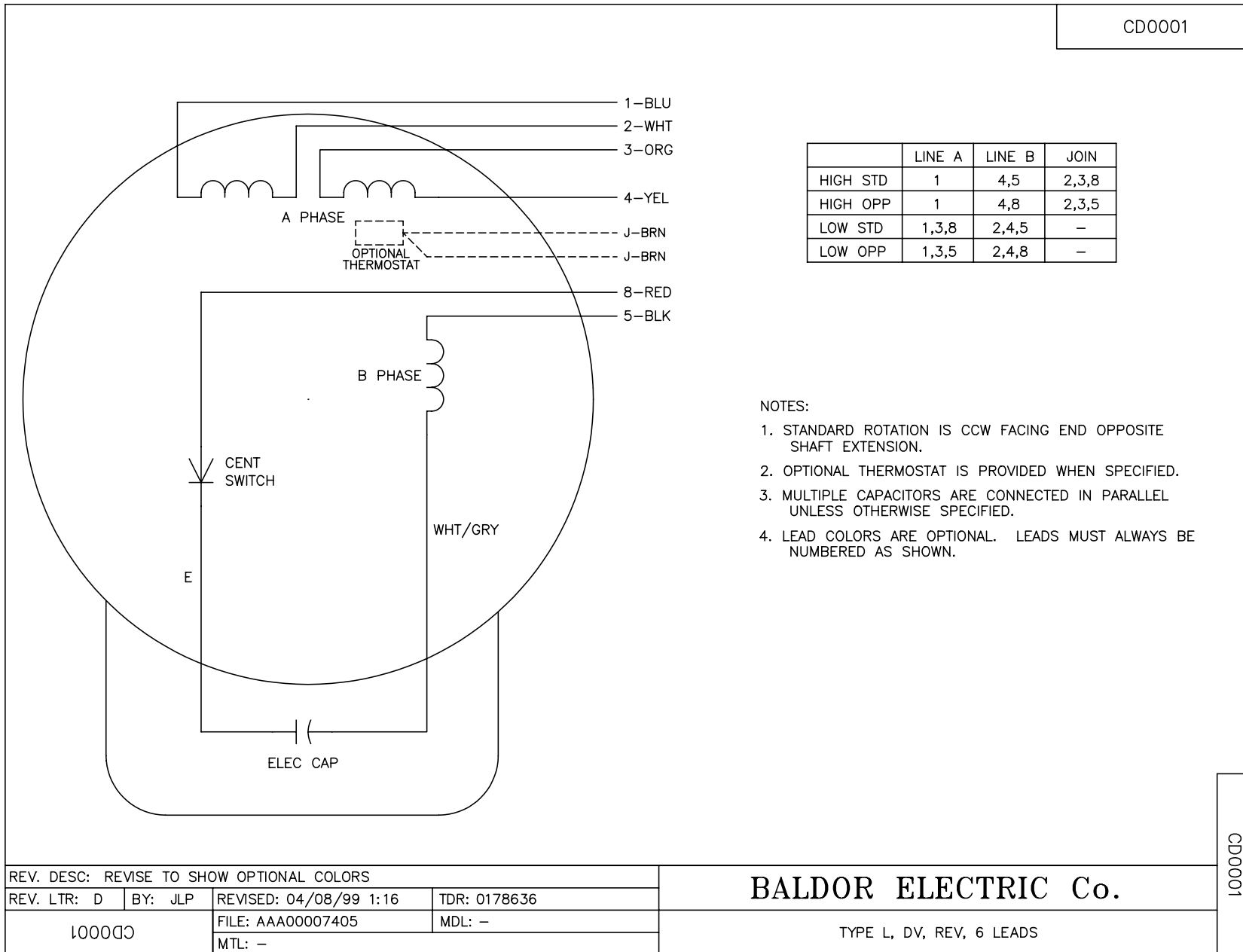
% of Rated Load	25	50	75	100	125	150	S.F.
Power Factor	50	65	75	81	85	87	83
Efficiency	49.1	64.2	70.5	73.4	74.3	74.1	73.9
Speed	3569	3548	3524	3499	3471	3438	3482
Line amperes	6.65	7.75	9.2	10.9	12.9	15.1	12.1

Performance Graph at 230V, 60Hz, 2.0HP Typical performance - Not guaranteed values





CD0001



REV. DESC: REVISE TO SHOW OPTIONAL COLORS			
REV. LTR: D	BY: JLP	REVISED: 04/08/99 1:16	TDR: 0178636
100000		FILE: AAA00007405	MDL: -
		MTL: -	

BALDOR ELECTRIC Co.

TYPE L, DV, REV, 6 LEADS

CD0001