

BALDOR® • ***RELIANCE***

Product Information Packet

L3515M

2HP,3450RPM,1PH,60HZ,56/56H,3535L,TEFC

Part Detail							
Revision:	AR	Status:	PRD/A	Change #:		Proprietary:	No
Type:	AC	Prod. Type:	3535L	Elec. Spec:	35WG2013	CD Diagram:	CD0008
Enclosure:	TEFC	Mfg Plant:		Mech. Spec:	35J383	Layout:	35LYJ383
Frame:	56/56H	Mounting:	F1	Poles:	02	Created Date:	06-22-2007
Base:	RG	Rotation:	R	Insulation:	B	Eff. Date:	09-18-2014
Leads:	4#14 A&J,2#18 B PH,1#12 #4TH					Replaced By:	
Literature:		Elec. Diagram:					

Nameplate NP1257L						
CAT.NO.	L3515M					
SPEC.	35J383-2013					
HP	2					
VOLTS	115/230					
AMP	23/11.5					
RPM	3450					
FRAME	56/56H	HZ	60	PH	1	
SER.F.	1.00	CODE	K	DES	L	CL B
NEMA-NOM-EFF	74	PF	82			
RATING	40C AMB-CONT					
CC		USABLE AT 208V				
DE	6205	ODE	6203			
ENCL	TEFC	SN				

AC Induction Motor Performance Data
Record # 8169 - Typical performance - not guaranteed values

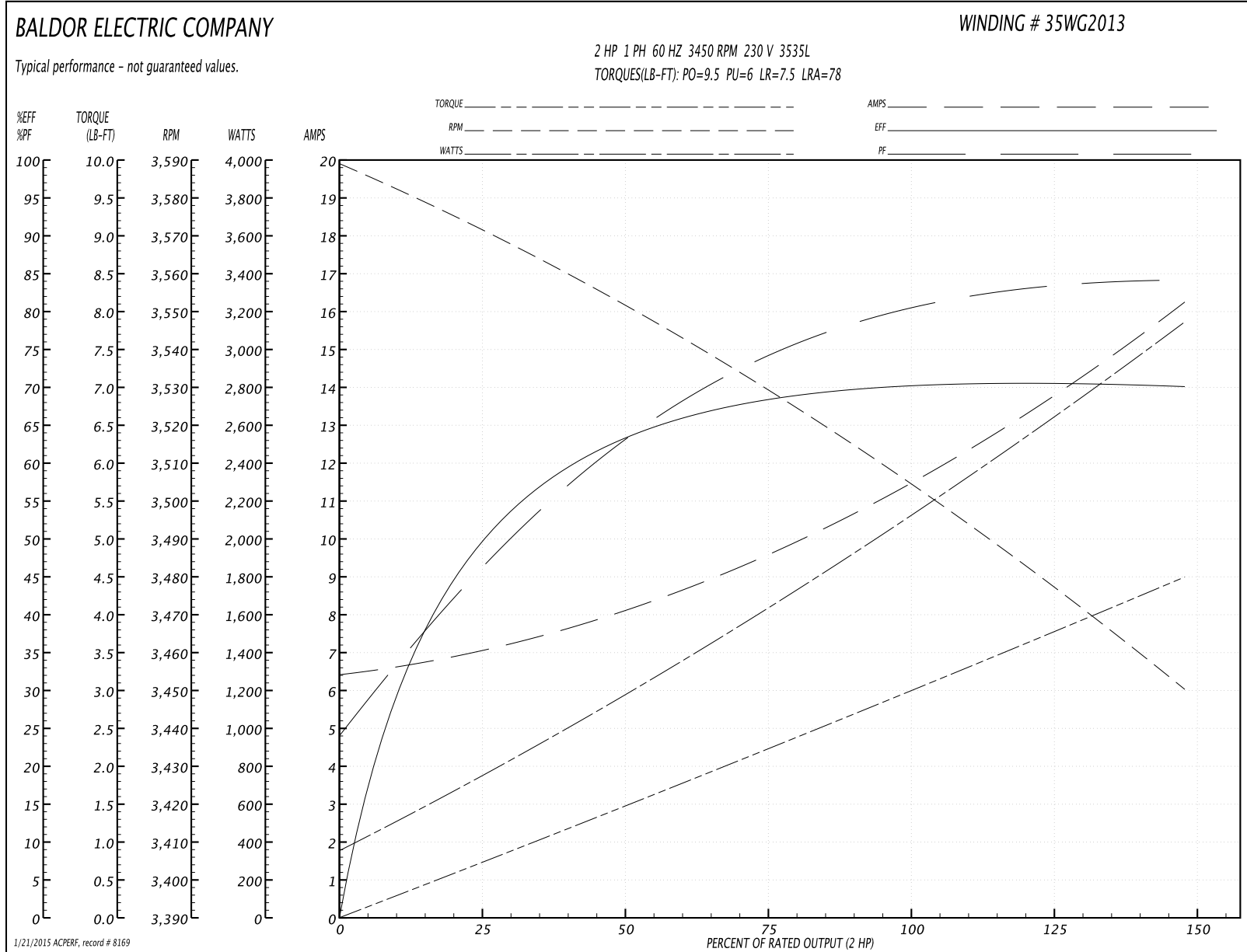
Winding: 35WG2013-R001	Type: 3535L	Enclosure: TEFC
-------------------------------	--------------------	------------------------

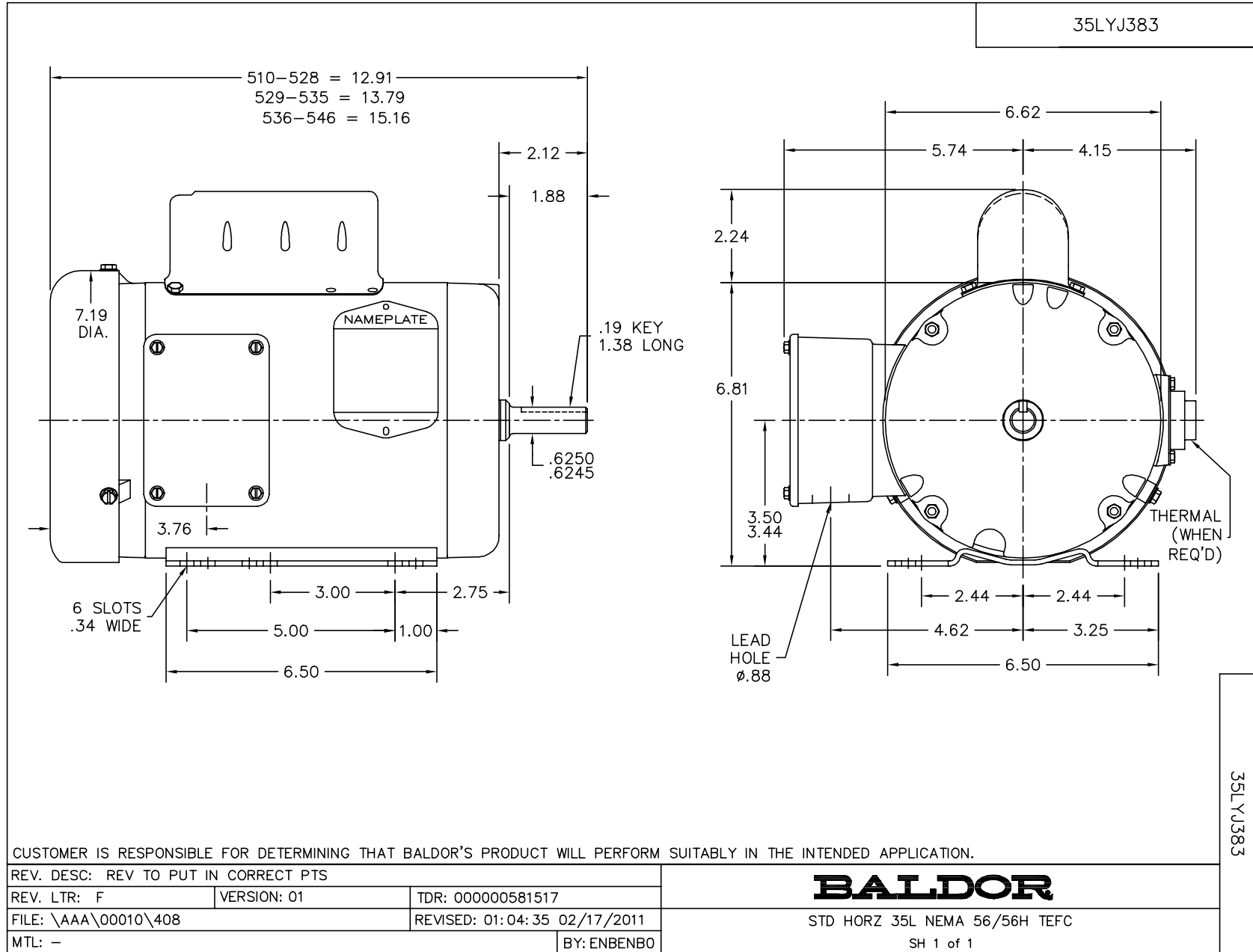
Nameplate Data				230 V, 60 Hz: High Voltage Connection	
Rated Output (HP)	2			Full Load Torque	3 LB-FT
Volts	115/230			Start Configuration	direct on line
Full Load Amps	23/11.5			Breakdown Torque	9.5 LB-FT
R.P.M.	3450			Pull-up Torque	6 LB-FT
Hz	60	Phase	1	Locked-rotor Torque	7.5 LB-FT
NEMA Design Code	L	KVA Code	K	Starting Current	78 A
Service Factor (S.F.)	1			No-load Current	6.5 A
NEMA Nom. Eff.	74	Power Factor	82	Line-line Res. @ 25°C	0.872 Ω A Ph 1.24 Ω B Ph
Rating - Duty	40C AMB-CONT			Temp. Rise @ Rated Load	84°C

Load Characteristics 230 V, 60 Hz, 2 HP

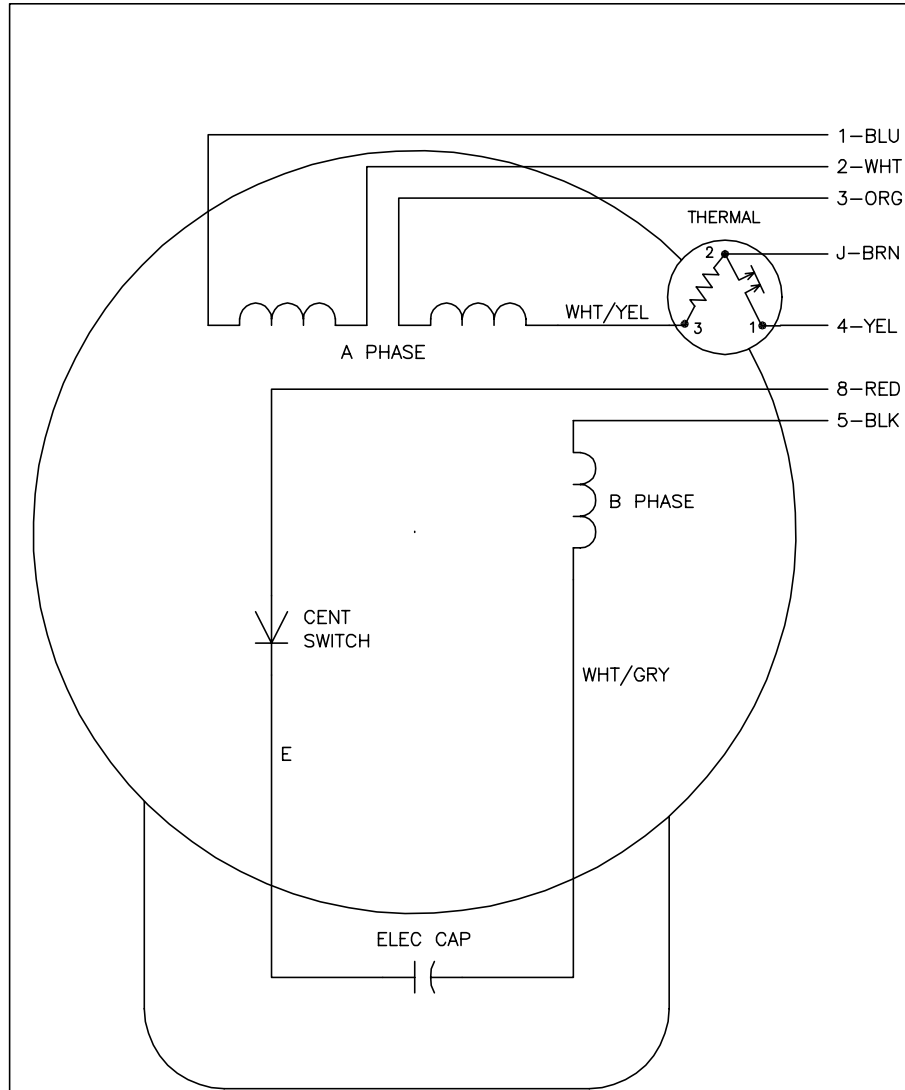
% of Rated Load	25	50	75	100	125	150
Power Factor	49	65	74	80	83	85
Efficiency	50.8	63.7	67.8	70.1	71.1	69.9
Speed	3570	3550	3530	3505	3478	3450
Line amperes	7	8	9.7	11.6	13.7	16.2

Performance Graph at 230V, 60Hz, 2.0HP Typical performance - Not guaranteed values





CD0008



	LINE A	LINE B	JOIN	JOIN
HIGH STD	1	4	2,3,8	J,5
HIGH OPP	1	4	2,3,5	J,8
LOW STD	1,3,8	4	-	2,J,5
LOW OPP	1,3,5	4	-	2,J,8

NOTES:

1. STANDARD ROTATION IS CCW FACING END OPPOSITE SHAFT EXTENSION.
2. MULTIPLE CAPACITORS ARE CONNECTED IN PARALLEL UNLESS OTHERWISE SPECIFIED.
3. LEAD COLORS ARE OPTIONAL. LEADS MUST ALWAYS BE NUMBERED AS SHOWN.

REV. DESC: REMOVE 2-TERMINAL THERMAL DETAIL, SEE CD0008A02		
REV. LTR: F	VERSION: 01	TDR: 000000360649
800000	FILE: \AAA\00007\408	REVISED: 10:56:54 04/18/2005
	MTL: -	BY: ENJOEPO

BALDOR ELECTRIC Co.

TYPE L, DV, REV, THERMAL, 7 LEADS

CD0008