

BALDOR® • ***RELIANCE***

Product Information Packet

L3516T

2HP,1725RPM,1PH,60HZ,145T,3535LC,TEFC,F1

Part Detail							
Revision:	B	Status:	PRD/A	Change #:		Proprietary:	No
Type:	AC	Prod. Type:	3535LC	Elec. Spec:	35WGN513	CD Diagram:	CD0055
Enclosure:	TEFC	Mfg Plant:		Mech. Spec:	35EE001	Layout:	35LYEE001
Frame:	145T	Mounting:	F1	Poles:	04	Created Date:	05-30-2012
Base:	RG	Rotation:	R	Insulation:	F	Eff. Date:	12-19-2012
Leads:	4#16 A PH,2#18 B PH					Replaced By:	
Literature:		Elec. Diagram:					

Nameplate NP1256L									
CAT.NO.	L3516T								
SPEC.	35EE001N513G1								
HP	2								
VOLTS	115/230								
AMP	17.6/8.8								
RPM	1725								
FRAME	145T	HZ	60	PH	1				
SER.F.	1.15	CODE	J	DES	L	CLASS	F		
NEMA-NOM-EFF	78.5	PF	92						
RATING	40C AMB-CONT								
CC	USABLE AT 208V								
DE	6205	ODE	6203						
ENCL	TEFC	SN							

AC Induction Motor Performance Data

Record # 40163 - Typical performance - not guaranteed values

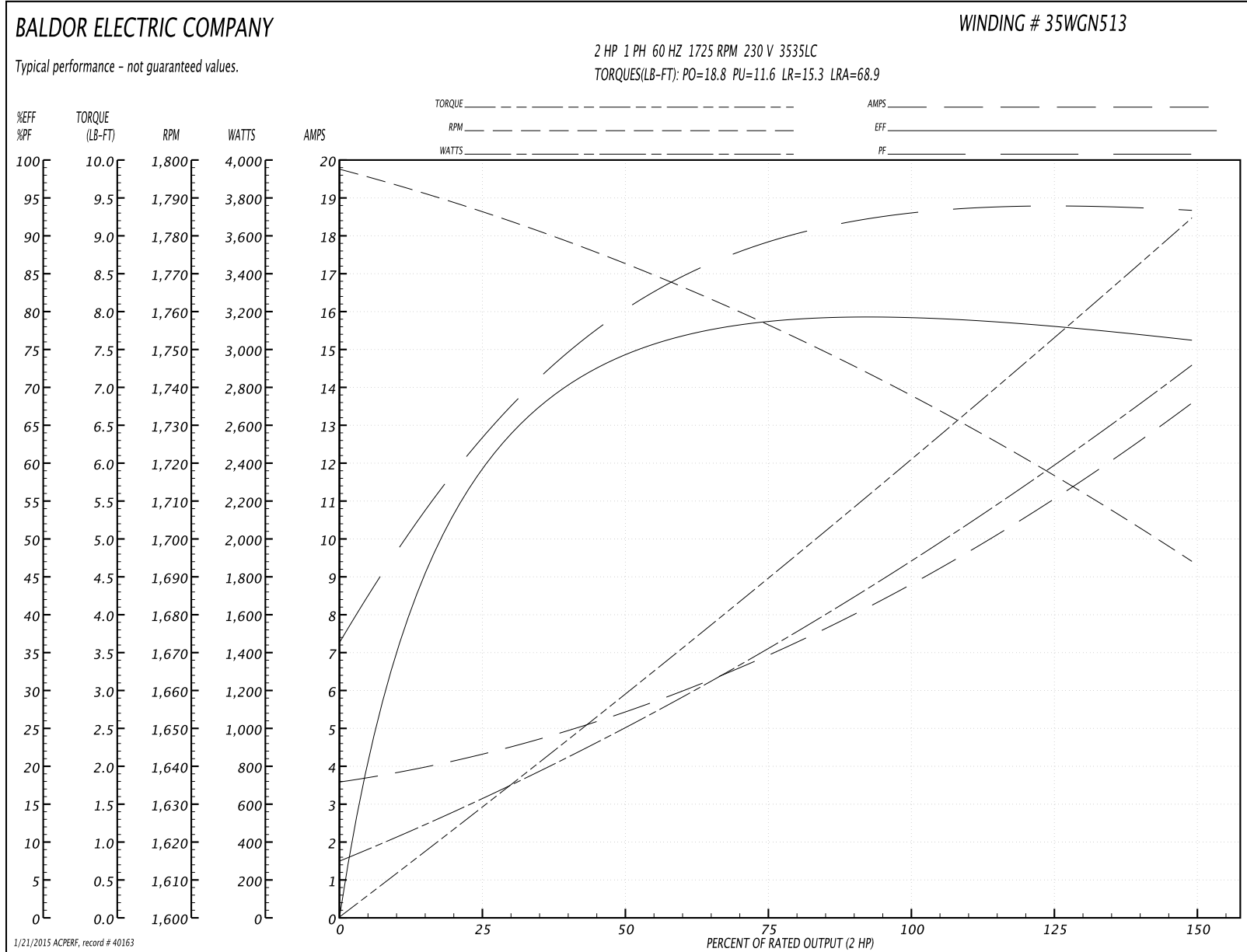
Winding: 35WGN513-R001	Type: 3535LC	Enclosure: TEFC
-------------------------------	---------------------	------------------------

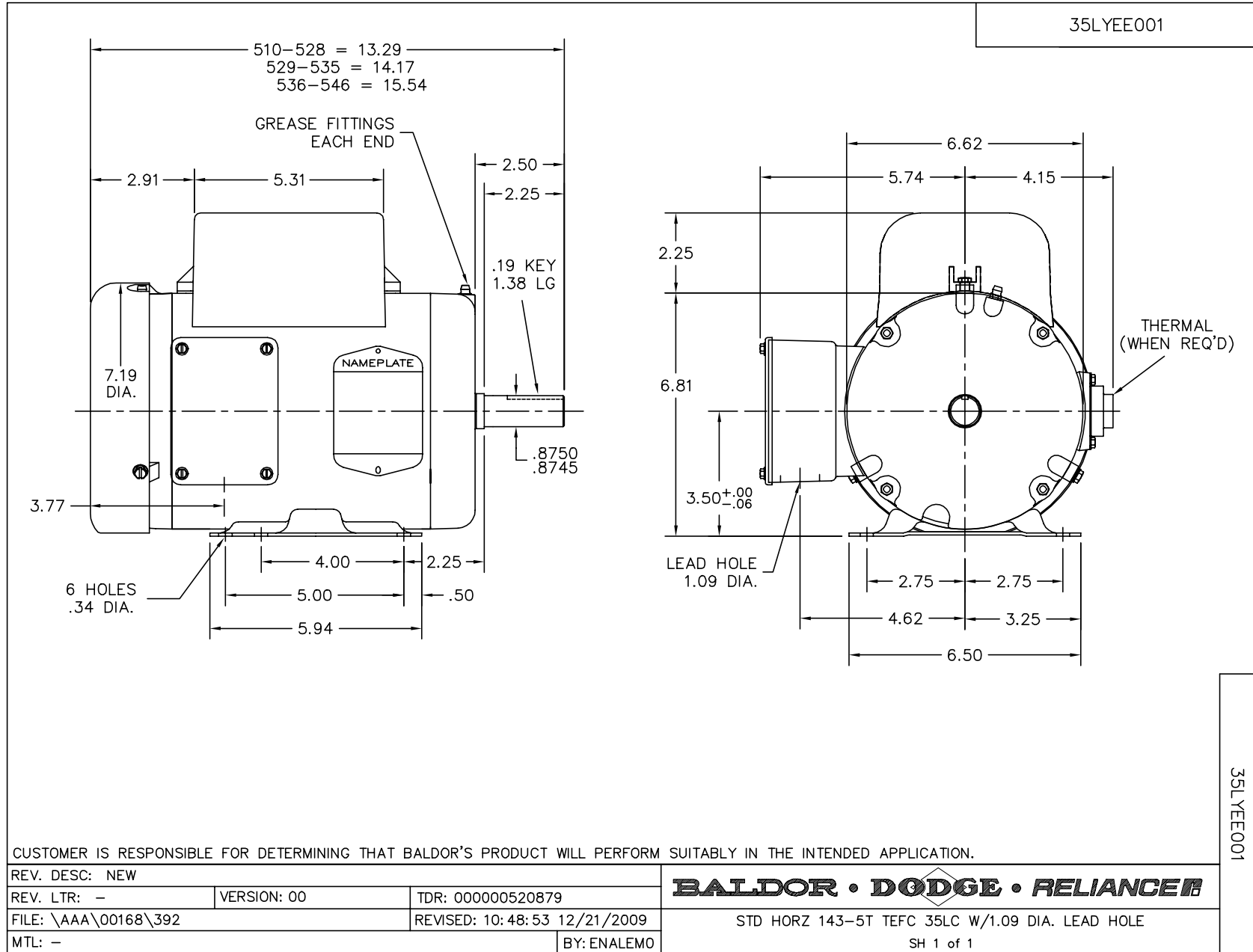
Nameplate Data				230 V, 60 Hz: High Voltage Connection	
Rated Output (HP)	2			Full Load Torque	5.97 LB-FT
Volts	115/230			Start Configuration	direct on line
Full Load Amps	17.6/8.8			Breakdown Torque	18.8 LB-FT
R.P.M.	1725			Pull-up Torque	11.6 LB-FT
Hz	60	Phase	1	Locked-rotor Torque	15.3 LB-FT
NEMA Design Code	L	KVA Code	J	Starting Current	68.9 A
Service Factor (S.F.)	1.15			No-load Current	3.64 A
NEMA Nom. Eff.	78.5	Power Factor	92	Line-line Res. @ 25°C	1.2642 Ω A Ph 1.6216 Ω B Ph
Rating - Duty	40C AMB-CONT			Temp. Rise @ Rated Load	98°C
S.F. Amps				Temp. Rise @ S.F. Load	112°C

Load Characteristics 230 V, 60 Hz, 2 HP

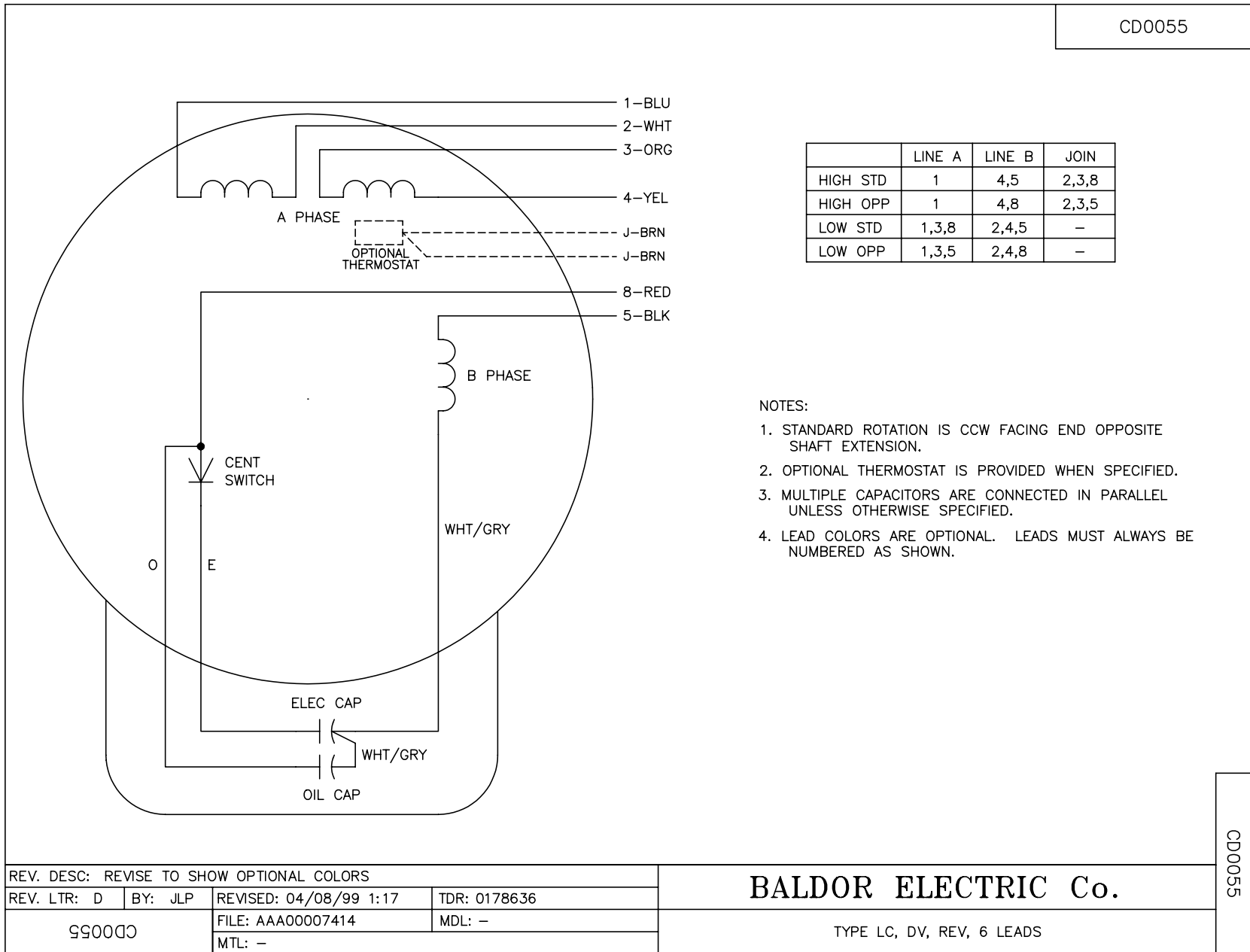
% of Rated Load	25	50	75	100	125	150	S.F.
Power Factor	65	81	88	92	94	94	93
Efficiency	57.1	73	78.4	79.7	78.9	75.8	79.2
Speed	1785.6	1771.8	1757.2	1739.8	1719.4	1692.6	1728
Line amperes	4.17	5.39	6.93	8.74	10.9	13.6	10

Performance Graph at 230V, 60Hz, 2.0HP Typical performance - Not guaranteed values





CD0055



NOTES:

1. STANDARD ROTATION IS CCW FACING END OPPOSITE SHAFT EXTENSION.
2. OPTIONAL THERMOSTAT IS PROVIDED WHEN SPECIFIED.
3. MULTIPLE CAPACITORS ARE CONNECTED IN PARALLEL UNLESS OTHERWISE SPECIFIED.
4. LEAD COLORS ARE OPTIONAL. LEADS MUST ALWAYS BE NUMBERED AS SHOWN.

CD0055

REV. DESC: REVISE TO SHOW OPTIONAL COLORS			
REV. LTR: D	BY: JLP	REVISED: 04/08/99 1:17	TDR: 0178636
990000		FILE: AAA00007414	MDL: -
		MTL: -	

BALDOR ELECTRIC Co.

TYPE LC, DV, REV, 6 LEADS