

BALDOR® • ***RELIANCE***

Product Information Packet

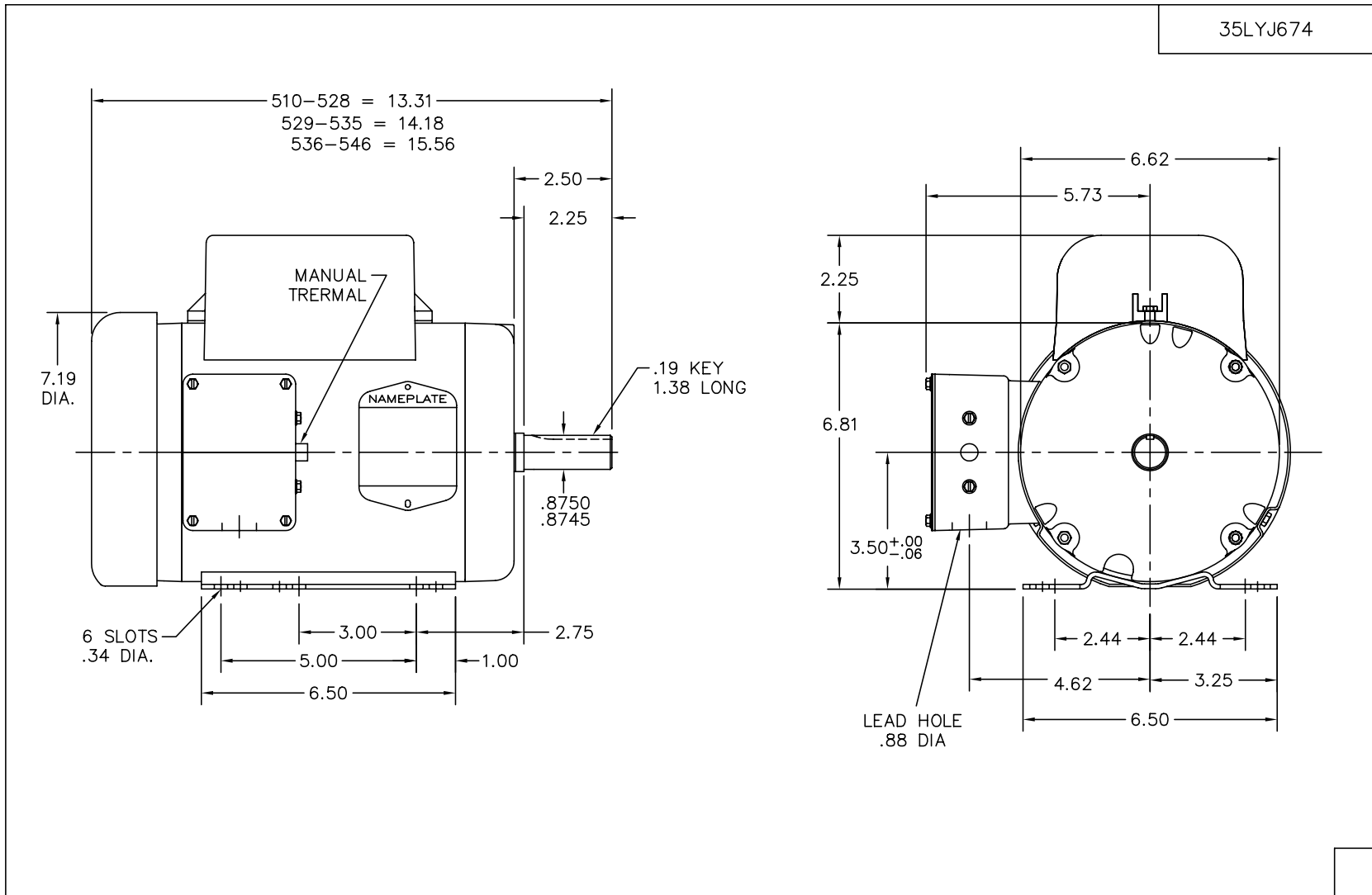
L3516TM

2HP,1730RPM,1PH,60HZ,56HZ,3528LC,TEFC,F1

Part Detail							
Revision:	L	Status:	PRD/A	Change #:		Proprietary:	No
Type:	AC	Prod. Type:	3528LC	Elec. Spec:	35WGP239	CD Diagram:	CD0002A02
Enclosure:	TEFC	Mfg Plant:		Mech. Spec:	35J674	Layout:	35LYJ674
Frame:	56HZ	Mounting:	F1	Poles:	04	Created Date:	03-22-2006
Base:	RG	Rotation:	R	Insulation:	F	Eff. Date:	06-14-2013
Leads:	2#16 A PH,3#18 B&J					Replaced By:	
Literature:		Elec. Diagram:					

Nameplate NP1257L						
CAT.NO.	L3516TM					
SPEC.	35J674P239					
HP	2					
VOLTS	208-230					
AMP	8.8-8.1					
RPM	1740					
FRAME	56HZ	HZ	60	PH	1	
SER.F.	1.15	CODE	H	DES	L	CL F
NEMA-NOM-EFF	82.5	PF	97			
RATING	40C AMB-CONT					
CC	USABLE AT 208V					
DE	6205	ODE	6203			
ENCL	TEFC	SN				

No performance data has been
assigned to this product.

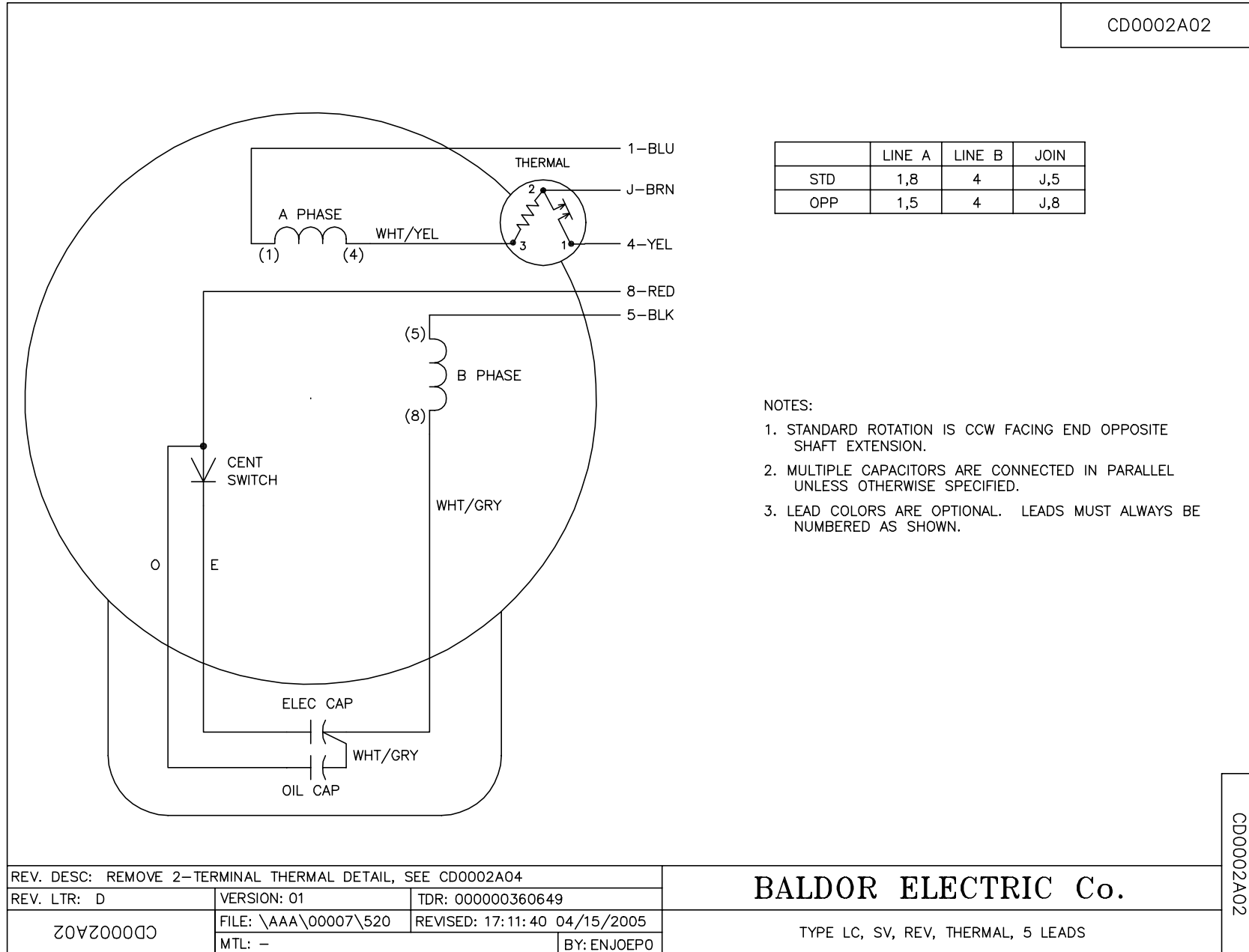


35LYJ674

CUST. NAME		CUST. P.O.		CERTIFIED BY		MODEL		INSUL		AMB		
H.P.		MTG		TYPE		R.P.M.		VOLTS		ENCL		
PHASE		FREQ		FRAME		REV. DESC: CHG'D CONDUIT BOX AND LID (SEE EC09)						
REV. LTR: F		BY: JED		REVISED: 04/12/99 10:17		TDR: 0171807						
FILE: AAA00014082		MDL: -						<h2>BALDOR ELECTRIC Co.</h2> <p>HORZ 56/56HZ W/143-145T SHAFT & 1" MTO</p>				
35LYJ674		MTL: -										

35LYJ674

CD0002A02



CD0002A02

REV. DESC: REMOVE 2-TERMINAL THERMAL DETAIL, SEE CD0002A04			
REV. LTR: D	VERSION: 01	TDR: 000000360649	
Z0VZ000003 CD0002A02	FILE: \AAA\00007\520	REVISED: 17:11:40 04/15/2005	
	MTL: -	BY: ENJOEPO	

BALDOR ELECTRIC Co.

TYPE LC, SV, REV, THERMAL, 5 LEADS