

BALDOR® • ***RELIANCE***

Product Information Packet

L3605

2HP,1725RPM,1PH,60HZ,184,3628L,TEFC,F1

Part Detail							
Revision:	T	Status:	PRD/A	Change #:		Proprietary:	No
Type:	AC	Prod. Type:	3628L	Elec. Spec:	36WGW223	CD Diagram:	CD0001
Enclosure:	TEFC	Mfg Plant:		Mech. Spec:	36C011	Layout:	36LYC011
Frame:	184	Mounting:	F1	Poles:	04	Created Date:	
Base:	RG	Rotation:	R	Insulation:	B	Eff. Date:	05-05-2011
Leads:	4#14 A PH,2#16 B PH					Replaced By:	
Literature:		Elec. Diagram:					

Nameplate NP1256L							
CAT.NO.	L3605						
SPEC.	36C11W223						
HP	2						
VOLTS	115/230						
AMP	23/11.5						
RPM	1725						
FRAME	184	HZ	60	PH	1		
SER.F.	1.15	CODE	H	DES	L	CLASS	B
NEMA-NOM-EFF	75.5	PF	74				
RATING	40C AMB-CONT						
CC	USABLE AT 208V		11.7				
DE	6206	ODE	6205				
ENCL	TEFC	SN					

AC Induction Motor Performance Data

Record # 10699 - Typical performance - not guaranteed values

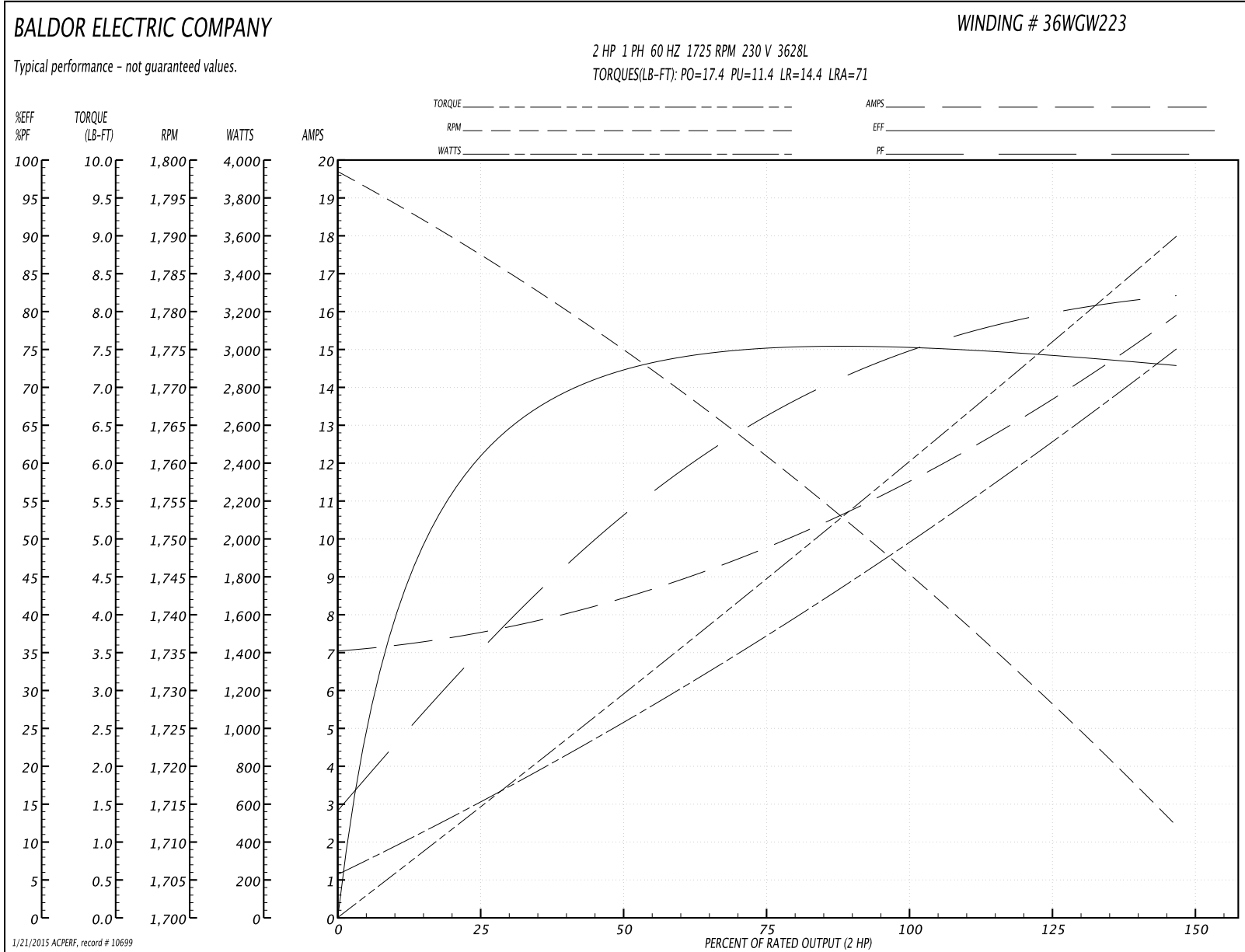
Winding: 36WGW223-R001	Type: 3628L	Enclosure: TEFC
-------------------------------	--------------------	------------------------

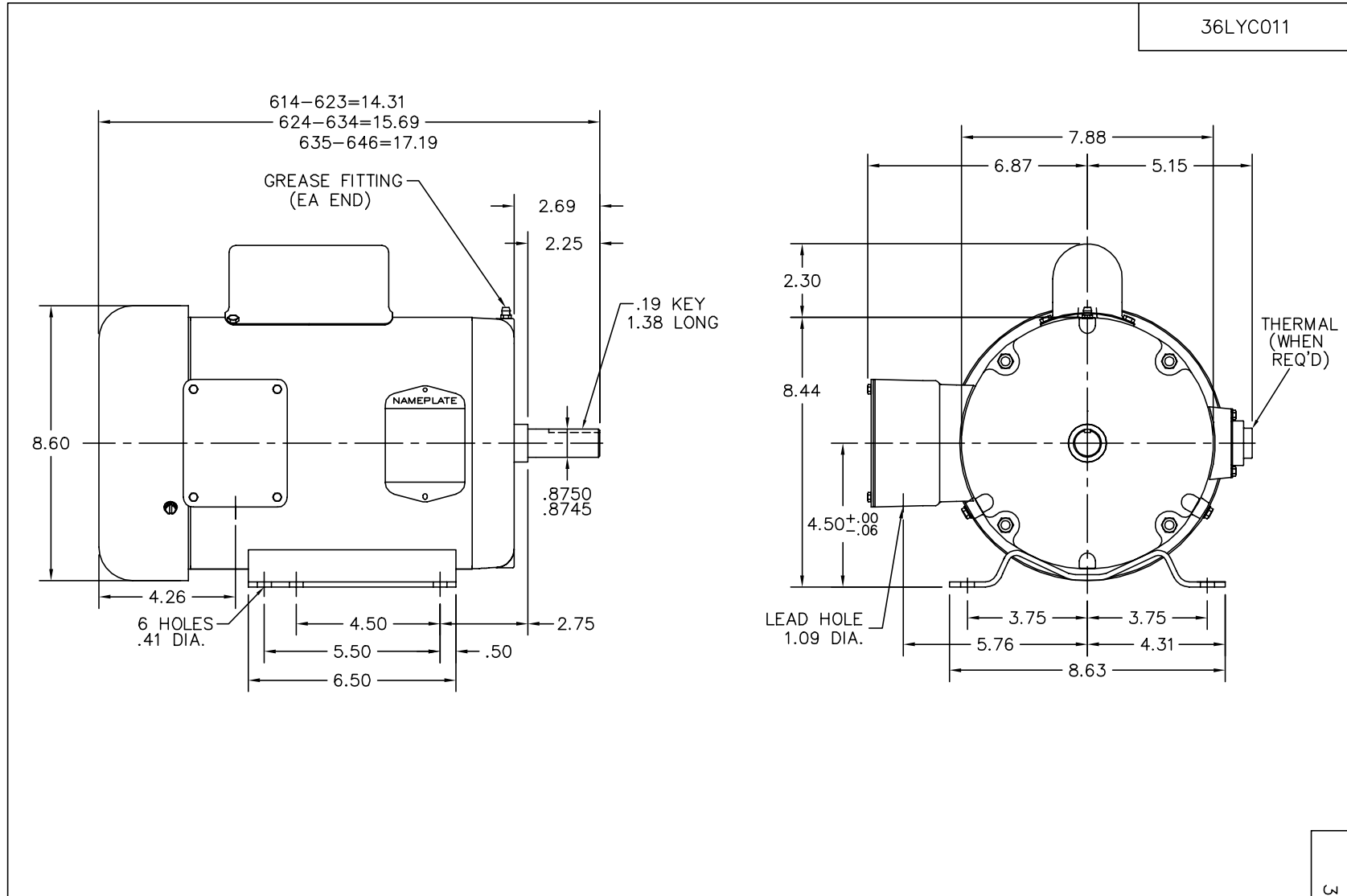
Nameplate Data				230 V, 60 Hz: High Voltage Connection	
Rated Output (HP)	2			Full Load Torque	6 LB-FT
Volts	115/230			Start Configuration	direct on line
Full Load Amps	23/11.5			Breakdown Torque	17.4 LB-FT
R.P.M.	1725			Pull-up Torque	11.4 LB-FT
Hz	60	Phase	1	Locked-rotor Torque	14.4 LB-FT
NEMA Design Code	L	KVA Code	H	Starting Current	71 A
Service Factor (S.F.)	1.15			No-load Current	7.1 A
NEMA Nom. Eff.	75.5	Power Factor	74	Line-line Res. @ 25°C	0.96 Ω A Ph 1.14 Ω B Ph
Rating - Duty	40C AMB-CONT			Temp. Rise @ Rated Load	75°C
S.F. Amps				Temp. Rise @ S.F. Load	92°C

Load Characteristics 230 V, 60 Hz, 2 HP

% of Rated Load	25	50	75	100	125	150	S.F.
Power Factor	37	54	66	74	78	80	77
Efficiency	61	73	75	75.5	74	73	74.5
Speed	1788	1775	1760	1745	1730	1712	1725
Line amperes	7.5	8.4	9.8	11.5	13.7	15.8	12.8

Performance Graph at 230V, 60Hz, 2.0HP Typical performance - Not guaranteed values





CUSTOMER IS RESPONSIBLE FOR DETERMINING THAT MOTOR PERFORMANCE IS SUITABLE IN THE APPLICATION.

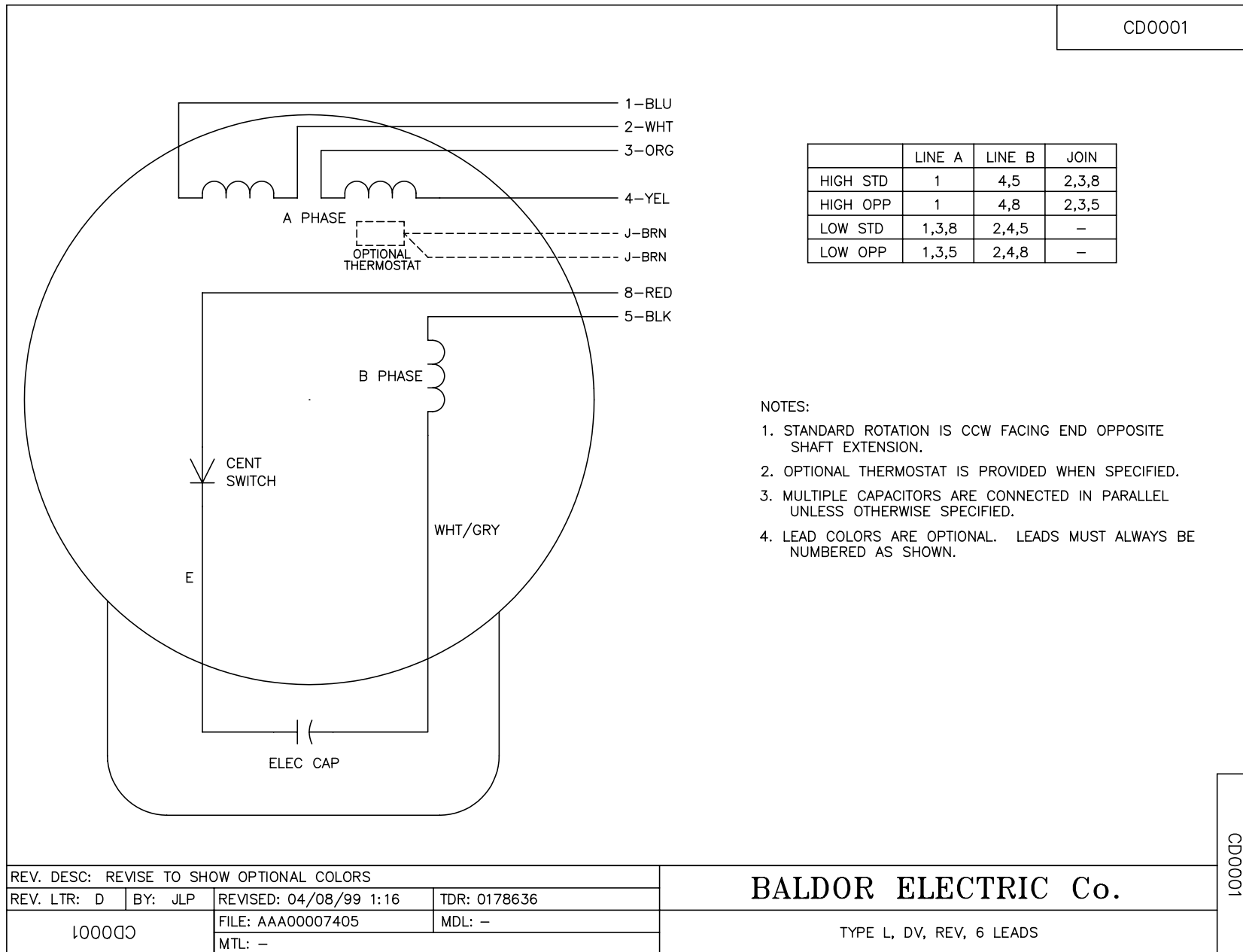
REV. DESC: FREEZE LINES SHOWING THROUGH CAPACITOR/KO BOX		
REV. LTR: F	VERSION: 02	TDR: 000000384004
1100A19E	FILE: \AAA\00003\196	REVISED: 15:55:18 12/22/2005
	MTL: -	BY: ENCHRC0

BALDOR ELECTRIC Co.

STD HORZ 182-4 TEFC 36L

36LYC011

CD0001



CD0001

REV. DESC: REVISE TO SHOW OPTIONAL COLORS			
REV. LTR: D	BY: JLP	REVISED: 04/08/99 1:16	TDR: 0178636
100000		FILE: AAA00007405	MDL: -
		MTL: -	

BALDOR ELECTRIC Co.

TYPE L, DV, REV, 6 LEADS