

BALDOR® • ***RELIANCE***

Product Information Packet

L3703

2HP,1140RPM,1PH,60HZ,215,3735LC,TEFC,F1

Part Detail							
Revision:	AF	Status:	PRD/A	Change #:		Proprietary:	No
Type:	AC	Prod. Type:	3735LC	Elec. Spec:	37WG0469	CD Diagram:	CD0076
Enclosure:	TEFC	Mfg Plant:		Mech. Spec:	37C011	Layout:	37LYC011
Frame:	215	Mounting:	F1	Poles:	06	Created Date:	
Base:	RG	Rotation:	R	Insulation:	B	Eff. Date:	11-20-2009
Leads:	8#14					Replaced By:	
Literature:		Elec. Diagram:					

Nameplate NP1256L							
CAT.NO.	L3703						
SPEC.	37C11-469						
HP	2						
VOLTS	115/230						
AMP	18.8/9.4						
RPM	1140						
FRAME	215	HZ	60	PH	1		
SER.F.	1.00	CODE	J	DES	L	CLASS	B
NEMA-NOM-EFF	80	PF	82				
RATING	40C AMB-CONT						
CC		USABLE AT 208V	9.9				
DE	6307	ODE	6206				
ENCL	TEFC	SN					

AC Induction Motor Performance Data

Record # 11608 - Typical performance - not guaranteed values

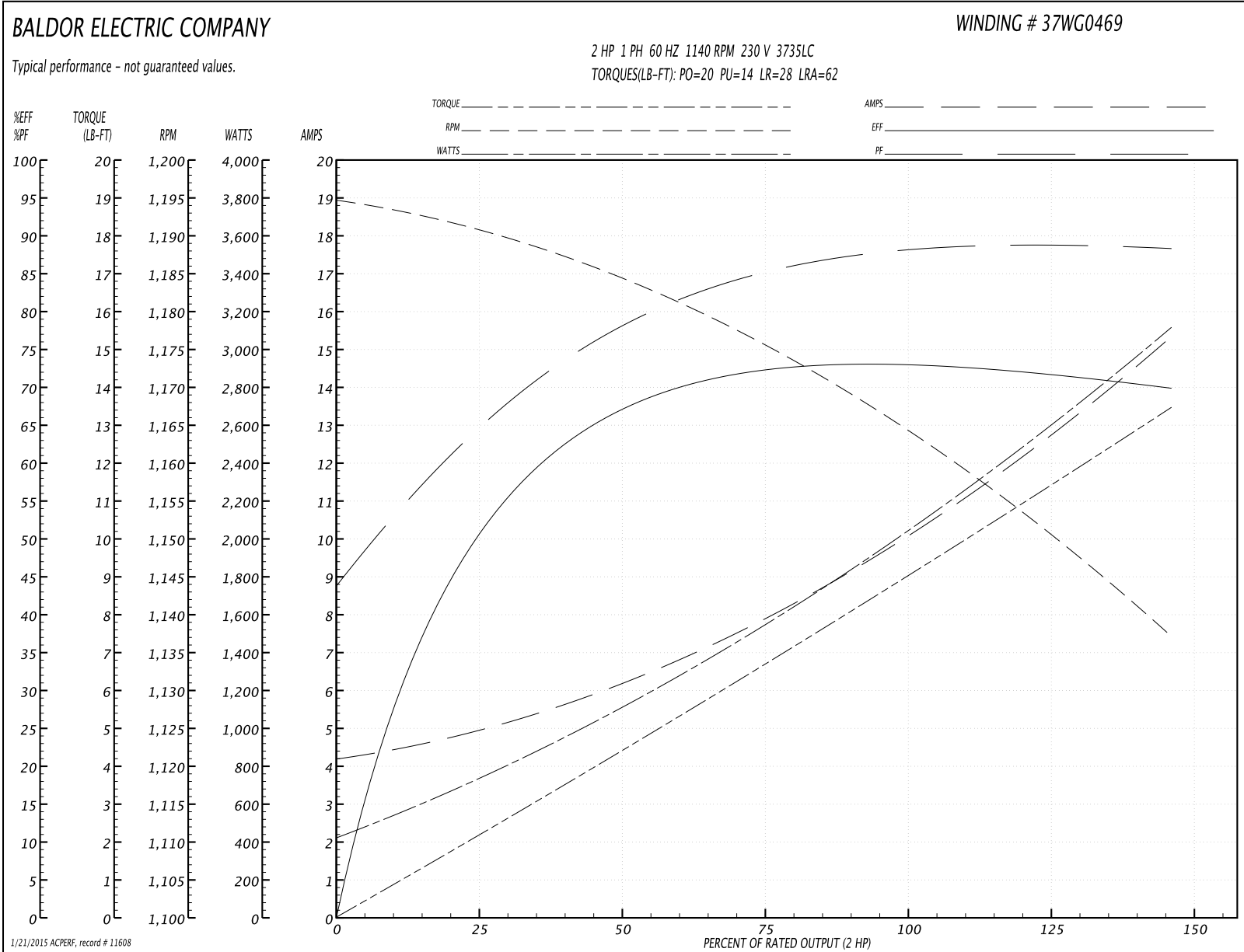
Winding: 37WG0469-R001	Type: 3735LC	Enclosure: TEFC
-------------------------------	---------------------	------------------------

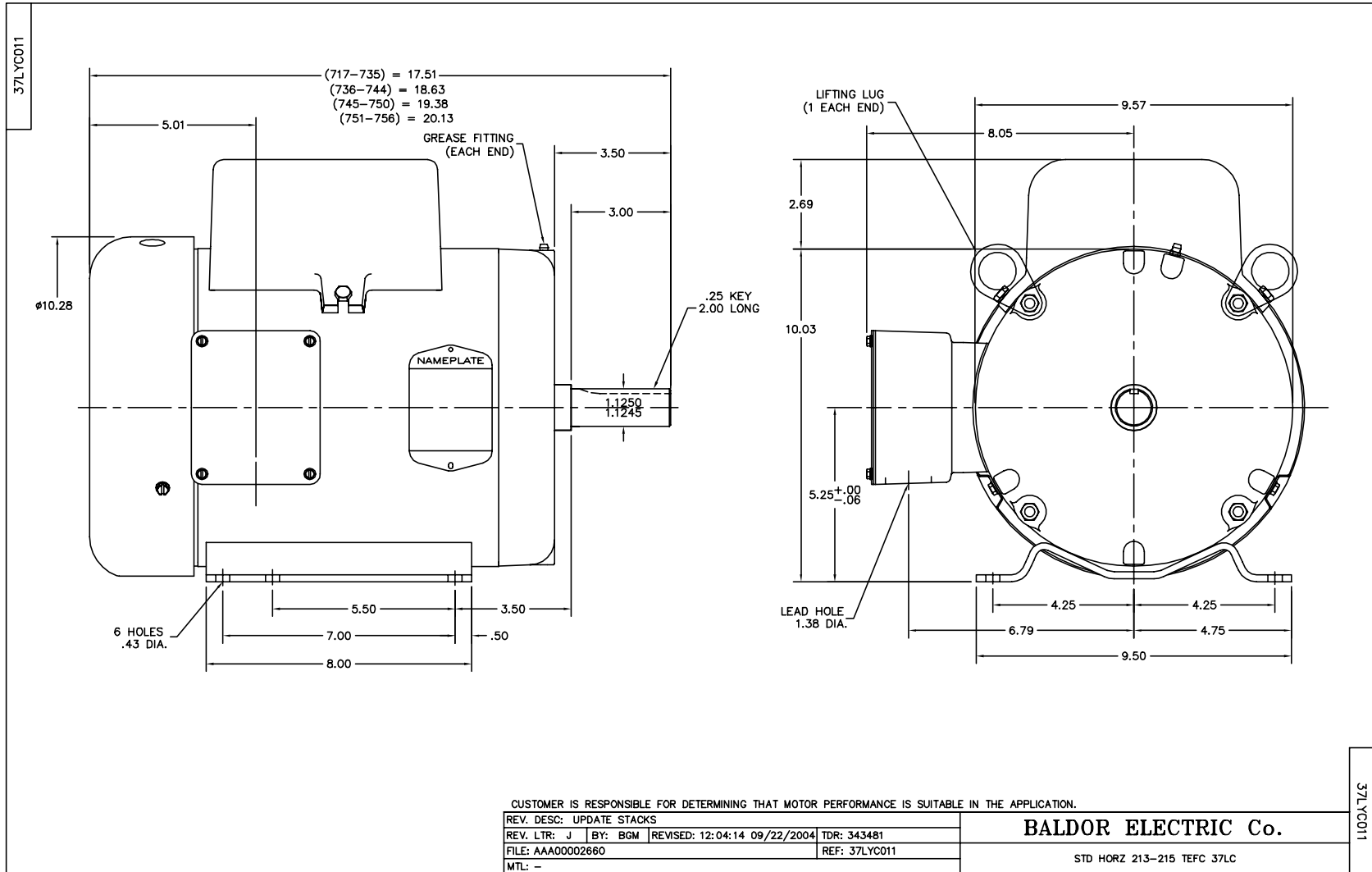
Nameplate Data				230 V, 60 Hz: High Voltage Connection	
Rated Output (HP)	2			Full Load Torque	9 LB-FT
Volts	115/230			Start Configuration	direct on line
Full Load Amps	18.8/9.4			Breakdown Torque	20 LB-FT
R.P.M.	1140			Pull-up Torque	14 LB-FT
Hz	60	Phase	1	Locked-rotor Torque	28 LB-FT
NEMA Design Code	L	KVA Code	J	Starting Current	62 A
Service Factor (S.F.)	1			No-load Current	4.2 A
NEMA Nom. Eff.	80	Power Factor	82	Line-line Res. @ 25°C	0.839 Ω A Ph 3.64 Ω B Ph
Rating - Duty	40C AMB-CONT			Temp. Rise @ Rated Load	58°C

Load Characteristics 230 V, 60 Hz, 2 HP

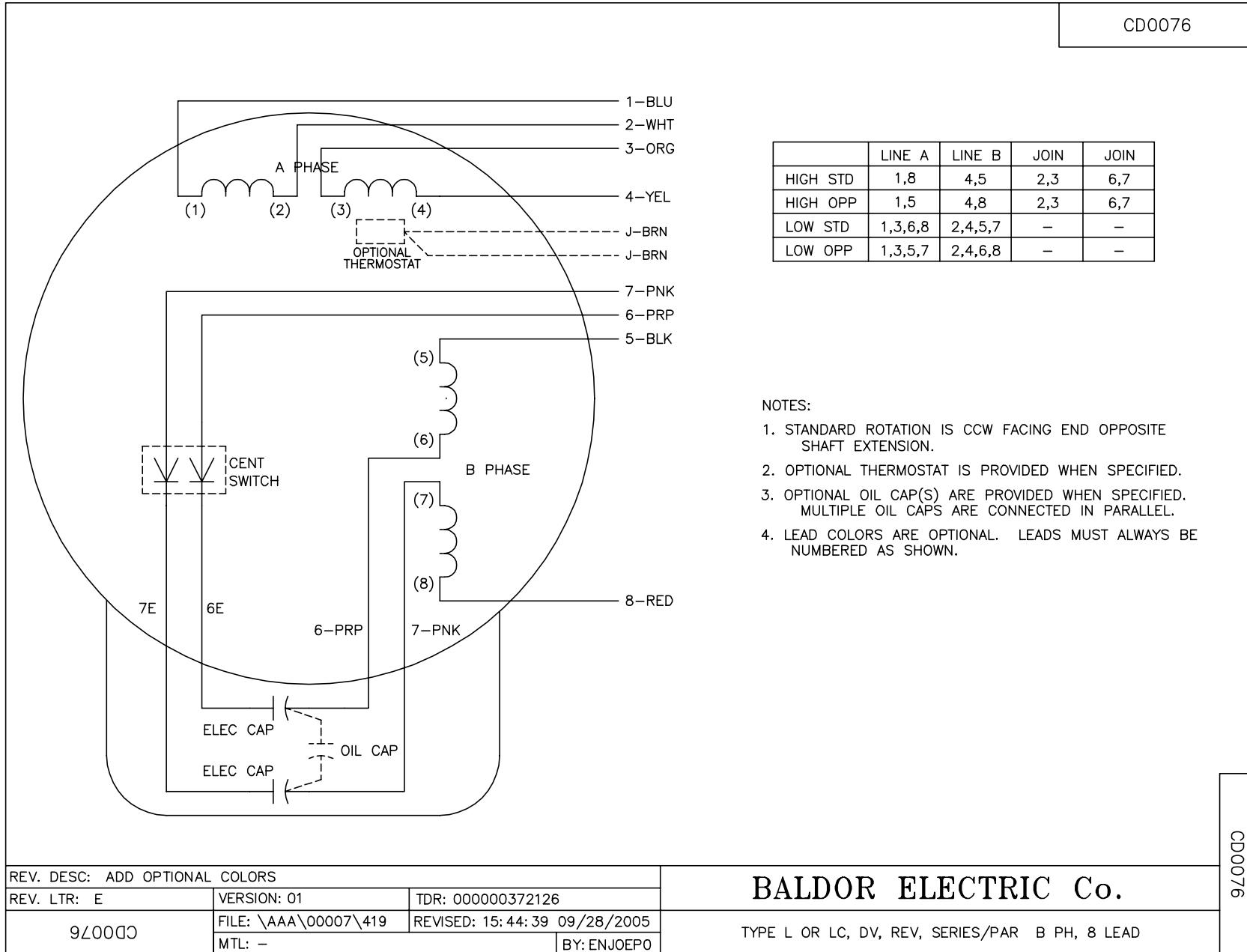
% of Rated Load	25	50	75	100	125	150
Power Factor	69	81	85	88	88	88
Efficiency	50.5	65.9	72.1	73.8	72.6	69.3
Speed	1191	1183	1175	1165	1153	1136
Line amperes	4.9	6.3	8	10	12.5	15.4

Performance Graph at 230V, 60Hz, 2.0HP Typical performance - Not guaranteed values





CD0076



	LINE A	LINE B	JOIN	JOIN
HIGH STD	1,8	4,5	2,3	6,7
HIGH OPP	1,5	4,8	2,3	6,7
LOW STD	1,3,6,8	2,4,5,7	-	-
LOW OPP	1,3,5,7	2,4,6,8	-	-

NOTES:

1. STANDARD ROTATION IS CCW FACING END OPPOSITE SHAFT EXTENSION.
2. OPTIONAL THERMOSTAT IS PROVIDED WHEN SPECIFIED.
3. OPTIONAL OIL CAP(S) ARE PROVIDED WHEN SPECIFIED. MULTIPLE OIL CAPS ARE CONNECTED IN PARALLEL.
4. LEAD COLORS ARE OPTIONAL. LEADS MUST ALWAYS BE NUMBERED AS SHOWN.

CD0076

REV. DESC: ADD OPTIONAL COLORS			
REV. LTR: E	VERSION: 01	TDR: 000000372126	
9Z00D0	FILE: \AAA\00007\419	REVISED: 15:44:39 09/28/2005	
	MTL: -	BY: ENJOEPO	

BALDOR ELECTRIC Co.

TYPE L OR LC, DV, REV, SERIES/PAR B PH, 8 LEAD