

# **BALDOR**® • ***RELIANCE***

## **Product Information Packet**

### **M3537**

**.5HP,3450RPM,3PH,60HZ,56,3410M,TEFC,F1**

Part Detail							
Revision:	P	Status:	PRD/A	Change #:		Proprietary:	No
Type:	AC	Prod. Type:	3410M	Elec. Spec:	34WG0232	CD Diagram:	CD0005
Enclosure:	TEFC	Mfg Plant:		Mech. Spec:	34A061	Layout:	34LYA061
Frame:	56	Mounting:	F1	Poles:	02	Created Date:	
Base:	RG	Rotation:	R	Insulation:	B	Eff. Date:	08-11-2014
Leads:	9#18					Replaced By:	
Literature:		Elec. Diagram:					

<b>Nameplate NP1256L</b>							
CAT.NO.	M3537						
SPEC.	34A61-232						
HP	.5						
VOLTS	230/460						
AMP	2/1						
RPM	3450						
FRAME	56	HZ	60	PH	3		
SER.F.	1.25	CODE	J	DES	B	CLASS	B
NEMA-NOM-EFF	68	PF	63				
RATING	40C AMB-CONT						
CC		USABLE AT 208V	2.6				
DE	6203	ODE	6203				
ENCL	TEFC	SN					
	SFA 2.4/1.2						

**AC Induction Motor Performance Data**  
Record # 6559 - Typical performance - not guaranteed values

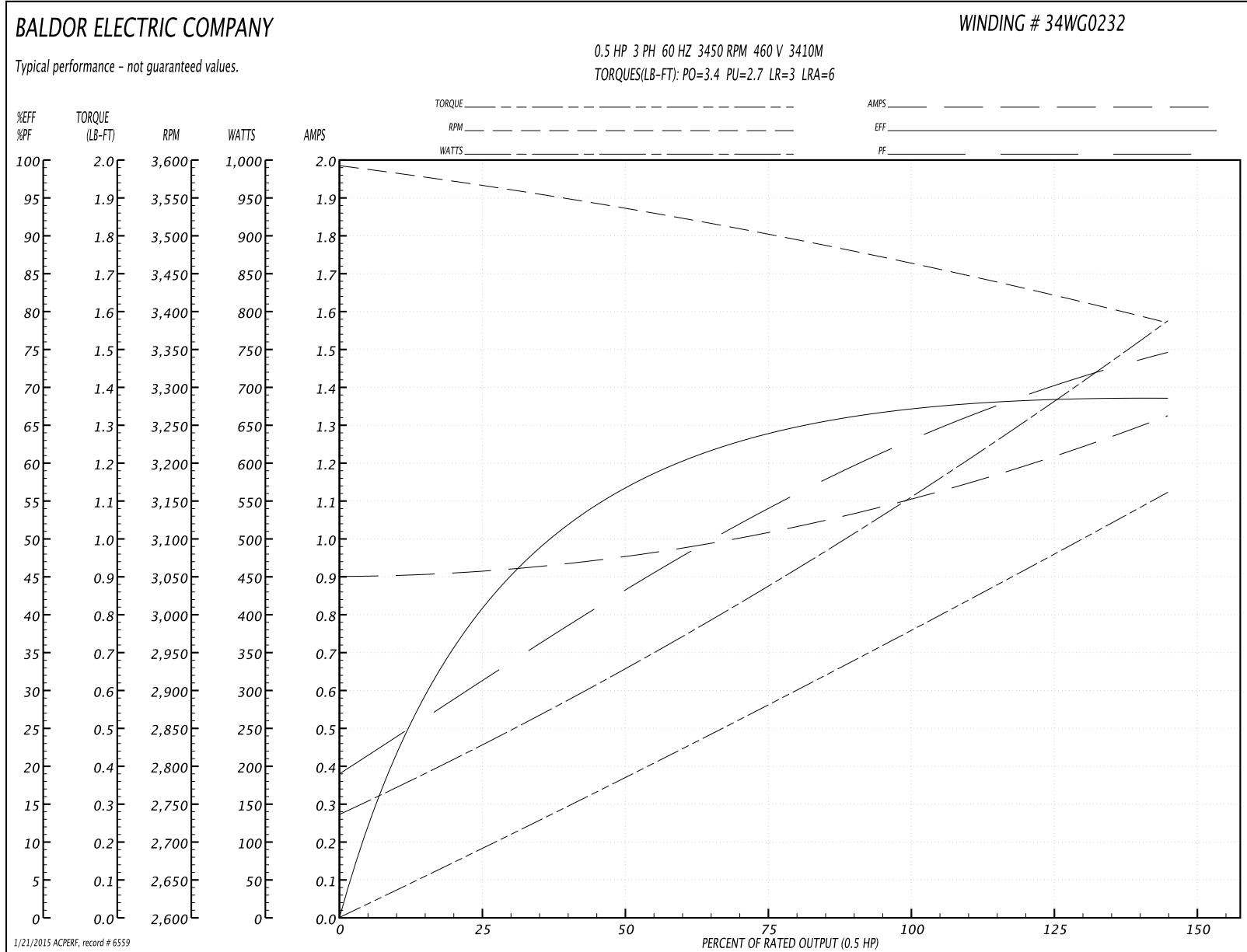
<b>Winding:</b> 34WG0232-R001	<b>Type:</b> 3410M	<b>Enclosure:</b> TEFC
-------------------------------	--------------------	------------------------

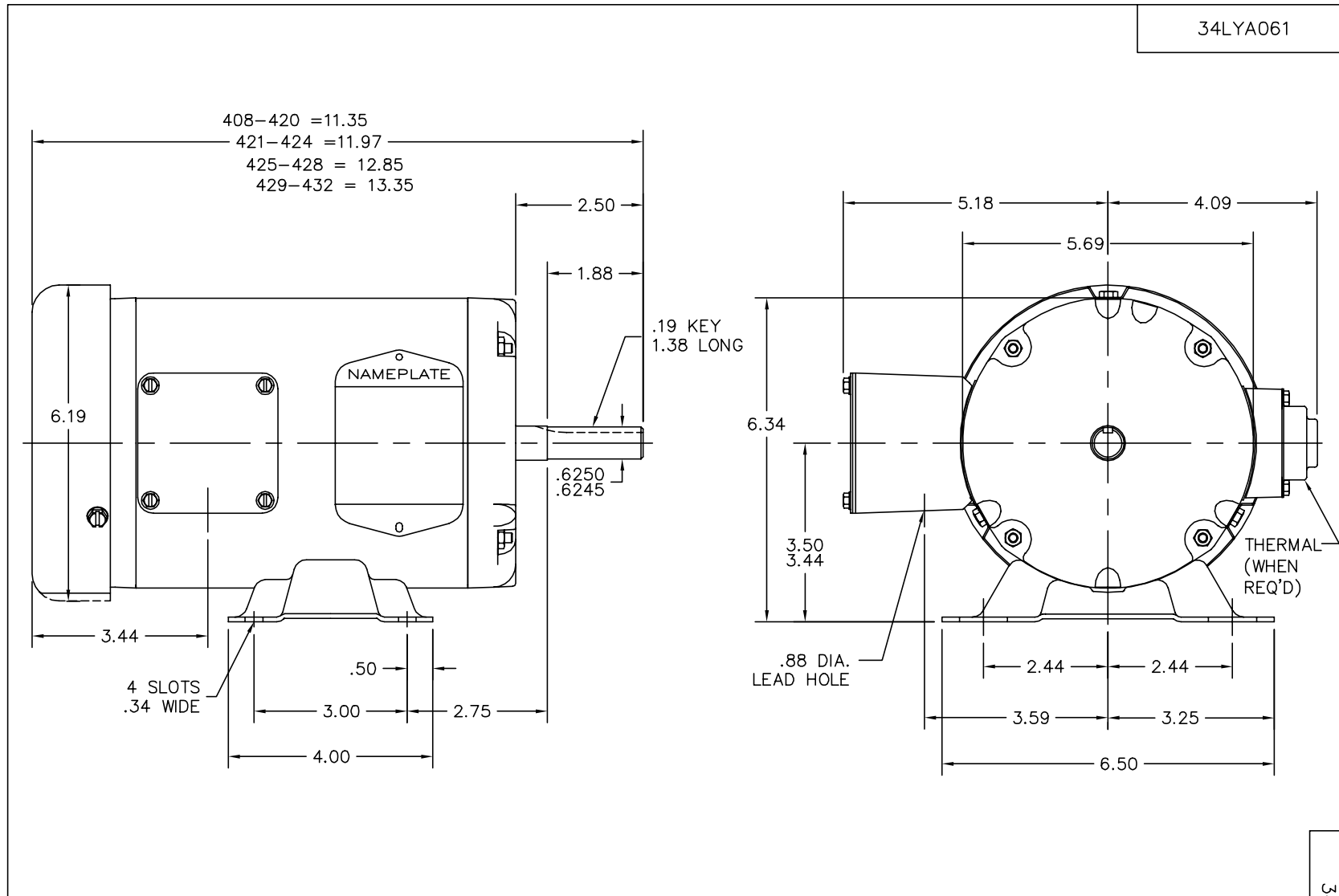
Nameplate Data				460 V, 60 Hz: High Voltage Connection	
Rated Output (HP)	.5			Full Load Torque	0.75 LB-FT
Volts	230/460			Start Configuration	direct on line
Full Load Amps	2/1			Breakdown Torque	3.4 LB-FT
R.P.M.	3450			Pull-up Torque	2.7 LB-FT
Hz	60	Phase	3	Locked-rotor Torque	3 LB-FT
NEMA Design Code	B	KVA Code	J	Starting Current	6 A
Service Factor (S.F.)	1.25			No-load Current	0.9 A
NEMA Nom. Eff.	68	Power Factor	63	Line-line Res. @ 25°C	35.1 Ω
Rating - Duty	40C AMB-CONT			Temp. Rise @ Rated Load	58°C
S.F. Amps	2.4/1.2			Temp. Rise @ S.F. Load	69°C
				Rotor inertia	0.0093 LF <sup>2</sup>

**Load Characteristics 460 V, 60 Hz, 0.5 HP**

% of Rated Load	25	50	75	100	125	150	S.F.
Power Factor	33	44	56	64	70	77	70
Efficiency	41.4	56.3	64	67.2	68.4	68.5	68.4
Speed	3563	3535	3501	3466	3432	3381	3432
Line amperes	0.91	0.97	1.01	1.1	1.2	1.33	1.2

Performance Graph at 460V, 60Hz, 0.5HP Typical performance - Not guaranteed values





CUSTOMER IS RESPONSIBLE FOR DETERMINING THAT MOTOR PERFORMANCE IS SUITABLE IN THE APPLICATION.

REV. DESC: ADDED DIM 3.44, UPDATE ASSEMBLY PART & DRAWING		
REV. LTR: J	VERSION: 02	TDR: 000000358076
34LYA061	FILE: \AAA\00000\561	REVISED: 13:19:12 02/25/2005
	MTL: -	BY: ENROSTO

**BALDOR ELECTRIC Co.**

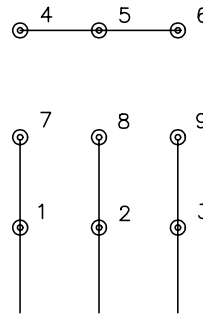
STD HORZ 34M NEMA 56 TEFC

34LYA061

CD0005

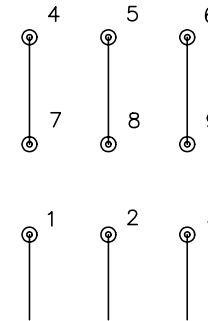


LOW VOLTAGE  
(2Y)



LINE

HIGH VOLTAGE  
(1Y)



LINE

NOTES:

1. INTERCHANGE ANY TWO LINE LEADS TO REVERSE ROTATION.
2. OPTIONAL THERMOSTATS ARE PROVIDED WHEN SPECIFIED.
3. ACTUAL NUMBER OF INTERNAL PARALLEL CIRCUITS MAY BE A MULTIPLE OF THOSE SHOWN ABOVE.
4. LEAD COLORS ARE OPTIONAL. LEADS MUST ALWAYS BE NUMBERED AS SHOWN.

REV. DESC: REVISE TO SHOW OPTIONAL COLORS			
REV. LTR: E	BY: JLP	REVISED: 01/19/99 10:15	TDR: 0171435
90000		FILE: AAA00005140	MDL: -
		MTL: -	

**BALDOR ELECTRIC Co.**

3PH, DV, 9 LEADS

CD0005